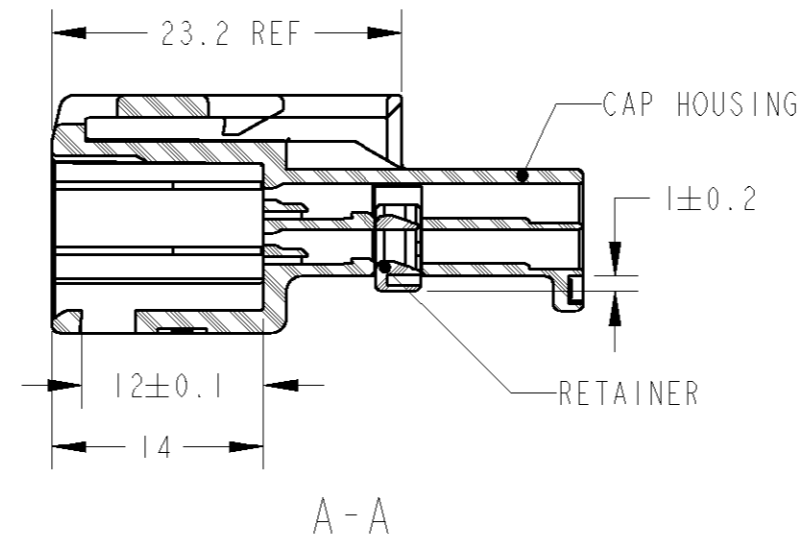
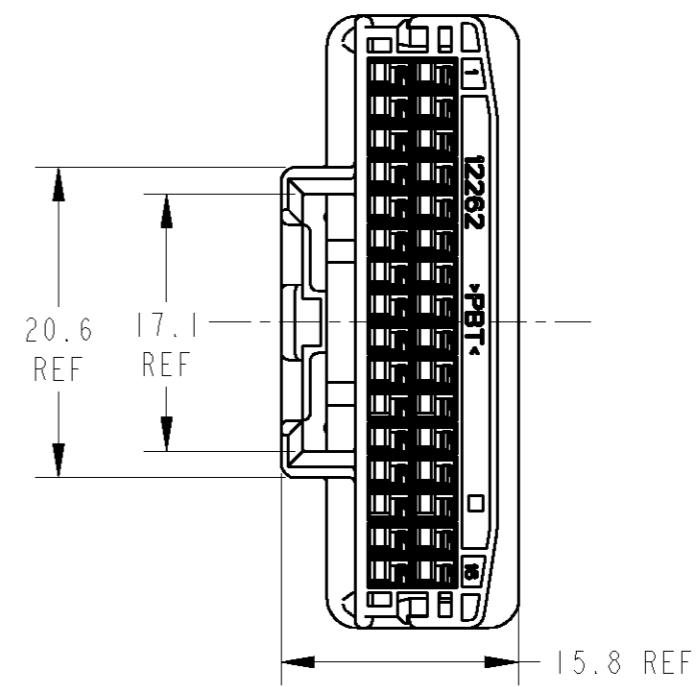
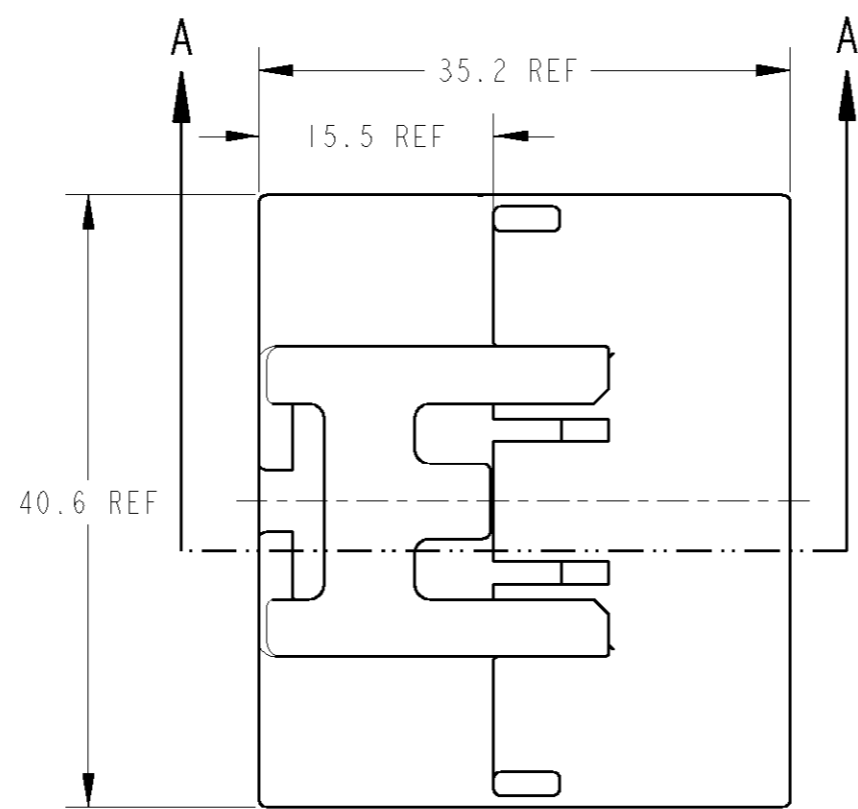
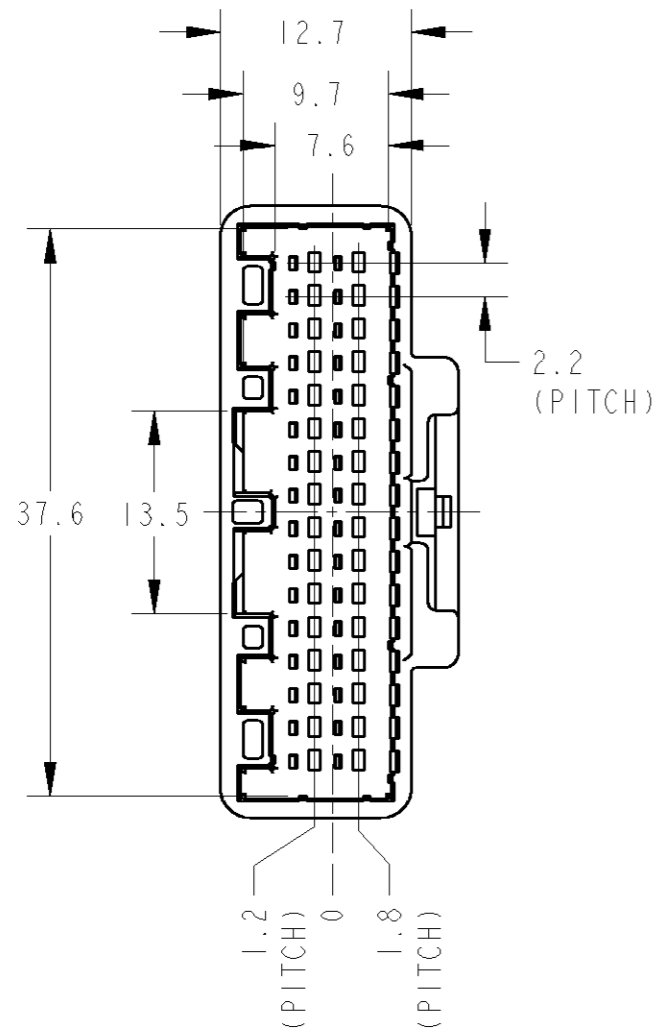


THIS DRAWING IS UNPUBLISHED. RELEASED FOR PUBLICATION
 © COPYRIGHT 20 BY TYCO ELECTRONICS CORPORATION. ALL RIGHTS RESERVED.

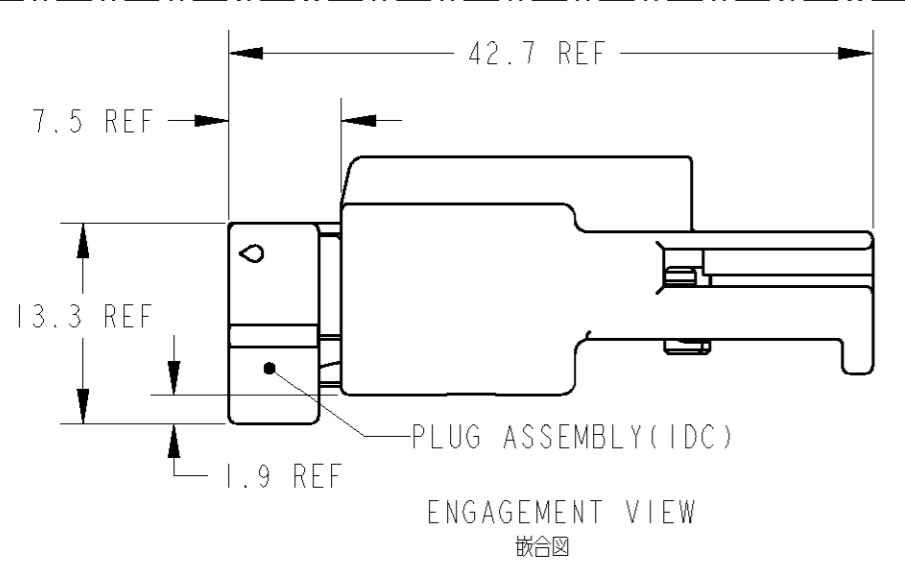
LOC		DIST		REVISIONS				
P	LTR	DESCRIPTION		ECN	DATE	DWN	APVD	
	0	RELEASED		FJ00-2067-01	16OCT01	SA	NS	



1. キャップハウジングにダブルロックプレートを仮係止して出荷される。
2. 適応端子型番; 1376109, 1473818, 1565406
3. 取扱説明書; 411-5996
4. 嵌合相手型番; 1473805 & 1473806 (IDC) 1318747

1. PLATE SHOULD BE SET TO THE PRE-ASSEMBLY POSITION WITHIN THE CAP HOUSING WHEN SHIPPED TO THE CUSTOMER
2. APPLIED TERMINAL; 1376109, 1473818, 1565406
3. INSTRUCTION SHEET No; 411-5996
4. PART NUMBER OF PLUG HOUSING TO BE MATED; 1473805 & 1473806 (IDC), 1318747

PEPER BOX ダンボール	PLASTIC BAG ビニール袋	NATURAL	1473799-1
OUTER 外装	INNER 内装	COLOR	PART NUMBER
PACKING STYLE 梱包形態			



THIS DRAWING IS A CONTROLLED DOCUMENT FOR TYCO ELECTRONICS CORPORATION
 IT IS SUBJECT TO CHANGE AND THE CONTROLLING ENGINEERING ORGANIZATION
 SHOULD BE CONTACTED FOR THE LATEST REVISION.

DIMENSIONS: 単位: 英 mm	TOLERANCES UNLESS OTHERWISE SPECIFIED: 一般公差: ±0.3	DWN S. AMEMIYA	16OCT01
	0-PLC ±	CHK N. SAI	16OCT01
	1-PLC ±0.1	APVD N. SAI	16OCT01
	2-PLC ±0.01	PRODUCT SPEC 製品規格	108-5660
	3-PLC ±0.001	APPLICATION SPEC 取付適用規格	114-5276, 114-5291
MATERIAL 材料	FINISH 仕上	WEIGHT	
PBT	SEE TABLE	8.4g	

AMP		Tyco Electronics AMP K.K. Kawasaki, Japan	
NAME 名称 32POSITION CAP ASSEMBLY 025 IDC CONNECTOR			
SIZE A3	CAGE CODE 00779	DRAWING NO C-1473799	RESTRICTED TO
CUSTOMER DRAWING		SCALE 尺度 2:1	SHEET 1 OF 1 REV 0