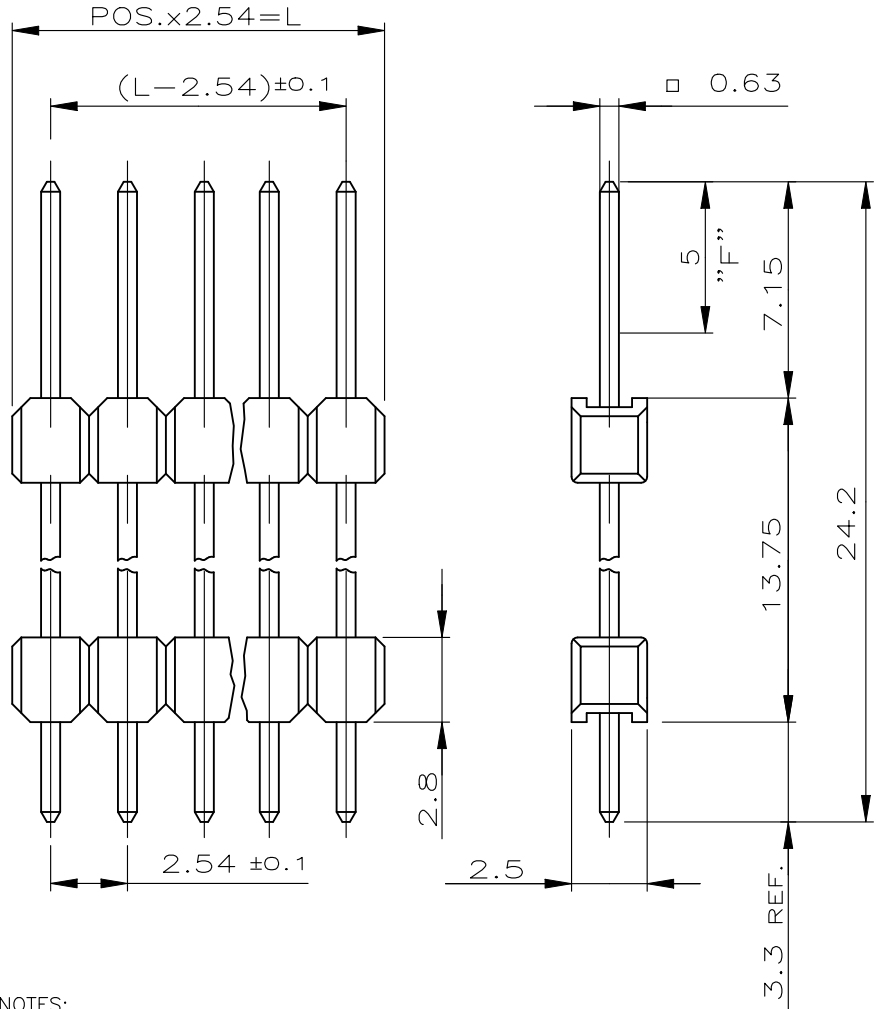


REVISIONS

P	LTR	DESCRIPTION	DATE	DWN	APVD
	G1	NOTE 1 0.76μm PLATING UPDATE (PdNi+AuFLASH)	18JUL2023	BGC	PS

POS.	L±0.3	PART NUMBER
-	-	-
2	5.08	827730-2
3	7.62	3
4	10.16	4
5	12.70	5
6	15.24	6
7	17.78	7
8	20.32	8
9	22.86	9
10	25.40	1-
11	27.94	2-1
12	30.48	2-1
13	33.02	1-
14	35.56	2-1
15	38.10	1-
16	40.64	3-1
17	43.18	1-
18	45.72	2-1
19	48.26	2-1
20	50.80	2-
21	53.34	2-2
22	55.88	2-2
23	58.42	2-
24	60.96	2-
25	63.50	2-2
26	66.04	2-
27	68.58	2-
28	71.12	2-2
29	73.66	2-
30	76.20	3-
31	78.74	3-
32	81.28	3-
33	83.82	3-
34	86.36	3-
35	88.90	3-
36	91.44	3-
37	93.98	3-
38	96.52	2-3
39	99.06	3-
40	101.60	2-4
41	104.14	4-
42	106.68	4-
43	109.22	4-
44	111.76	4-
45	114.30	4-
46	116.84	4-
47	119.38	4-
48	121.92	2-4
49	124.46	4-
50	127.00	5- 827730-0



NOTES:

- ① MATING SIDE: Min 0.76μm (PdNi + Au FLASH) IN ZONE "F" OVER Min 1.27μm Ni (Alternative plating - Min 0.76μm Au OVER Min 1.27μm Ni) SOLDER SIDE: MIN. 2.5μm TIN OVER Min 1.27μm NICKEL
- ② OBSOLETE PARTS: OBSOLETE CIS STREAMLINING PER D.RENAUD/D.SINISI
- ③ OBSOLETE

CONTACT PIN	CuZn	①
PIN HOUSING	PBT	GREEN
DESCRIPTION	MATERIAL	FINISH
		COLOR

TE Connectivity. All Rights Reserved.

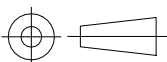


DIMENSIONS:

mm

TOLERANCES UNLESS OTHERWISE SPECIFIED:

0 PLC	±0.2 mm
1 PLC	± -
2 PLC	± -
3 PLC	± -
4 PLC	± -
ANGLES	± -



DWN WRULICH	31AUG1989	MATERIAL SEE TABLE	FINISH SEE TABLE
CHK SCHAAR.	-	 TE Connectivity	
APVD -	-		
PRODUCT SPEC 108-18012	NAME SPEC. AMPMODU II PIN HEADER SINGLE ROW		
APPLICATION SPEC -	SIZE A4	CAGE CODE 00779	DRAWING NO C-827730
WEIGHT -	RESTRICTED TO -		
CUSTOMER DRAWING		SCALE 4:1	SHEET 1 OF 1
		REV G1	