

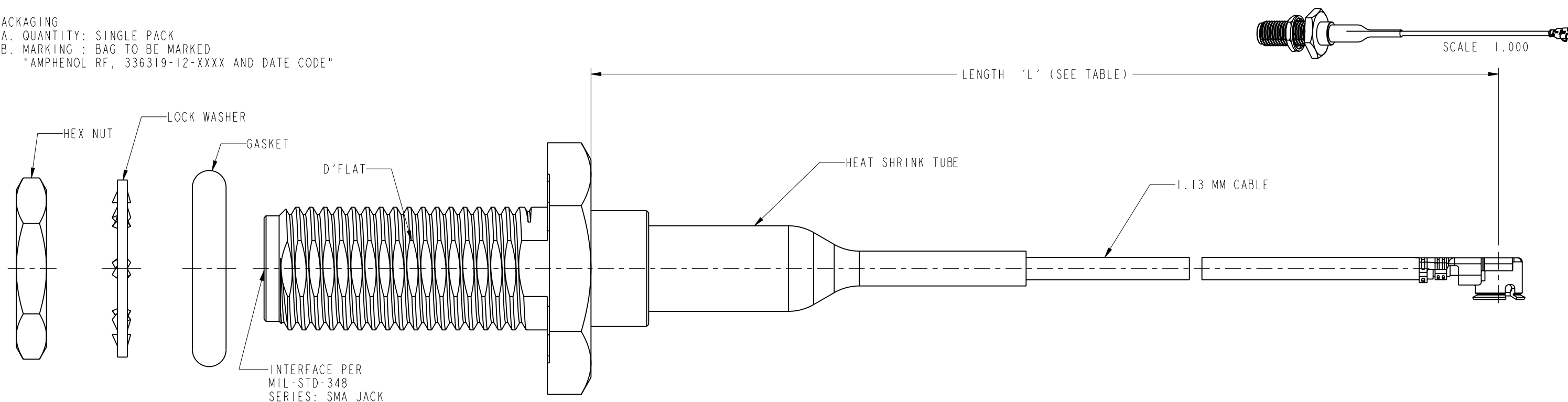
NOTES:

1. MATERIALS AND FINISHES:
SMA STR BHD JACK IP 67
IPEX CONNECTOR
CABLE - 1.13 MM CABLE
2. ELECTRICAL
A. IMPEDANCE: 50 OHM
3. PACKAGING
A. QUANTITY: SINGLE PACK
B. MARKING : BAG TO BE MARKED
"AMPHENOL RF, 336319-12-XXXX AND DATE CODE"

THIRD ANGLE PROJ.

REVISIONS

REV	DESCRIPTION	DATE	ECO	APPR
A	RELEASE TO MFG	17-Dec-14	2838	CL/BCG
B	ADDED 336319-12-0350	04-May-18	8065	BMG
C	RELEASE AT ARFA	18-Jan-19	10241	JC



LENGTH TABLE	
PART NUMBER	LENGTH AND TOLERANCE 'L' IN MM (INCHES)
336319-12-0050	50.00±3.81 [1.969± .150]
336319-12-0075	75.00±3.81 [2.950± .150]
336319-12-0100	100.00±3.81 [3.937± .150]
336319-12-0150	150.00±3.81 [5.906± .150]
336319-12-0200	200.00±5.08 [7.874± .200]
336319-12-0250	250.00±5.08 [9.843± .200]
336319-12-0300	300.00±5.08 [11.811± .200]
336319-12-0350	350.00±5.08 [13.780± .200]

* ADDITIONAL LENGTHS CAN BE PROVIDED, CONTACT AMPHENOL RF MARKETING FOR QUOTE

DESIGN REQUIREMENTS:

- | | |
|--|--|
| <input checked="" type="checkbox"/> FREQUENCY: DC TO 6 GHz | <input checked="" type="checkbox"/> CONTINUITY |
| <input type="checkbox"/> VSWR _____ : 1 MAX | <input checked="" type="checkbox"/> HI-POT :200 VRMS |
| <input type="checkbox"/> INS. LOSS _____ dB MAX | <input type="checkbox"/> OTHER |

CUSTOMER OUTLINE DRAWING
ALL OTHER SHEETS ARE FOR INTERNAL USE ONLY

UNLESS OTHERWISE SPECIFIED, DIMENSIONS ARE IN METRIC AND TOLERANCES ARE: <0.5mm ±0.05mm 0.5 - 6mm ±0.1mm 6 - 30mm ±0.2mm 30 - 120mm ±0.3mm ANGLES ±1°	MATERIAL	DRAWN JEKY.C	DATE 18-Jan-19	TITLE SMA BULKHEAD CRIMP JACK IP67 TO AMC RIGHT ANGLE PLUG TERMINATED USING 1.13 MM CABLE. VARIOUS LENGTHS	Amphenol RF www.amphenolrf.com
	REFERENCE EAR # 6511 AND CONFIGURATION LEVEL: In Work	ENGINEER ABHAYA KISHORE	DATE 18-Nov-14		
NOTICE - These drawings, specifications, or other data (1) are, and remain the property of Amphenol corp. (2) must be returned upon request; and (3) are confidential and not to be disclosed to any person other than those to whom they are given by Amphenol Corp. the furnishing of these drawings, specifications, or other data by Amphenol Corp., or to any other person to anyone for any purpose is not to be regarded by implication or otherwise in any manner licensing, granting rights to permitting such holder or any other person to manufacture, use or sell any product, process or design, patented or otherwise, that may in any way be related to or disclosed by said drawings, specifications, or other data.	FINISH	APPROVED S.HSIEH	DATE 18-Jan-19	SCALE: 5.0:1.0 SHEET 3 OF 3	ITEM NO. 336319-12-XXXX
			CAD FILE	DWG SIZE B	REV C