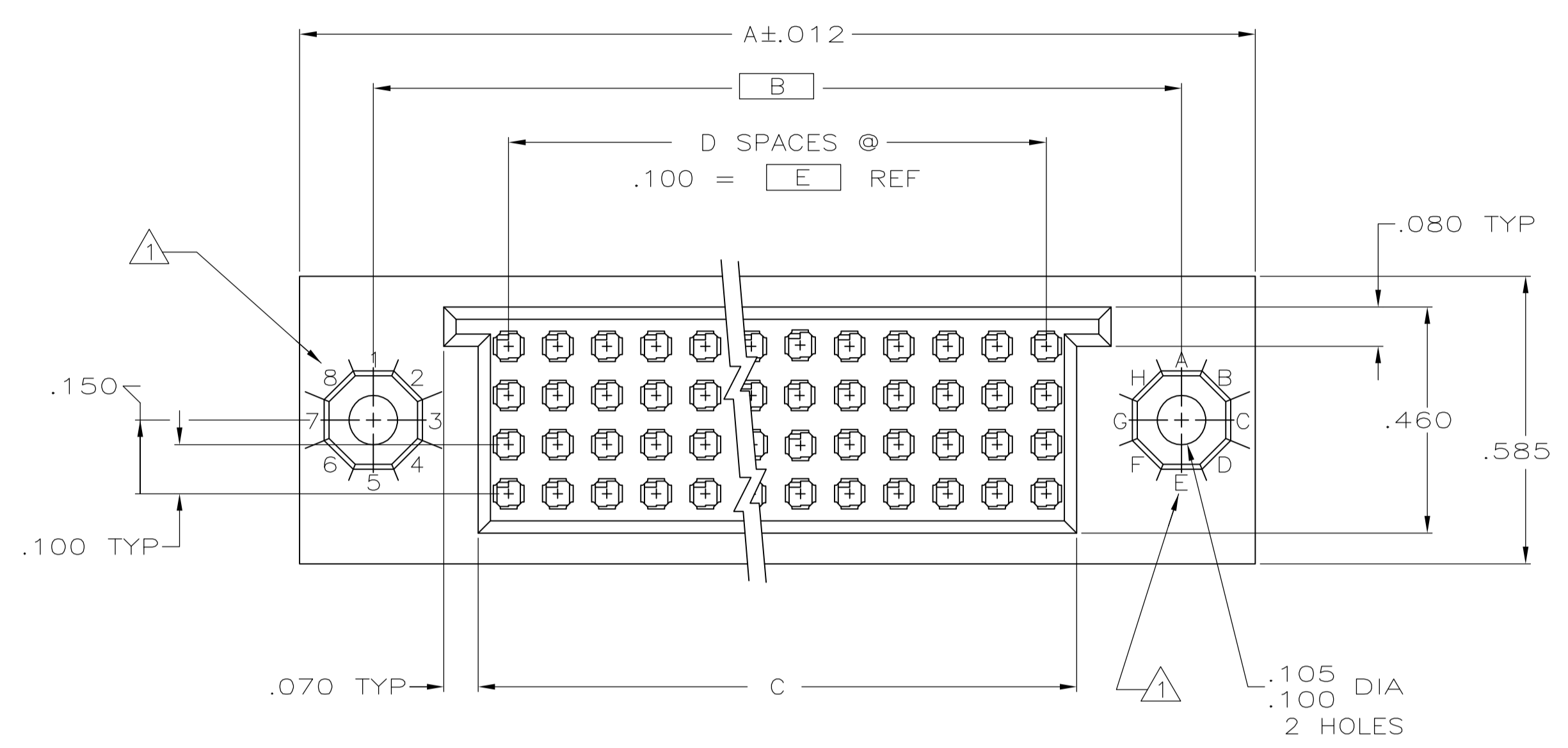
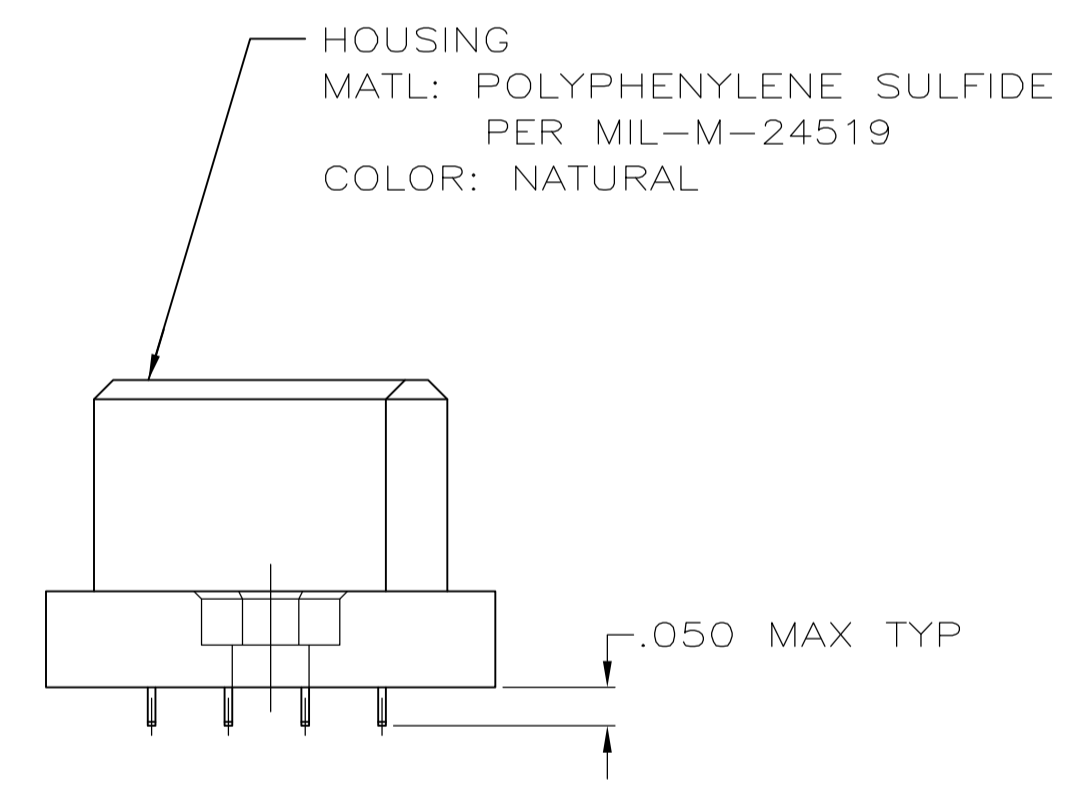
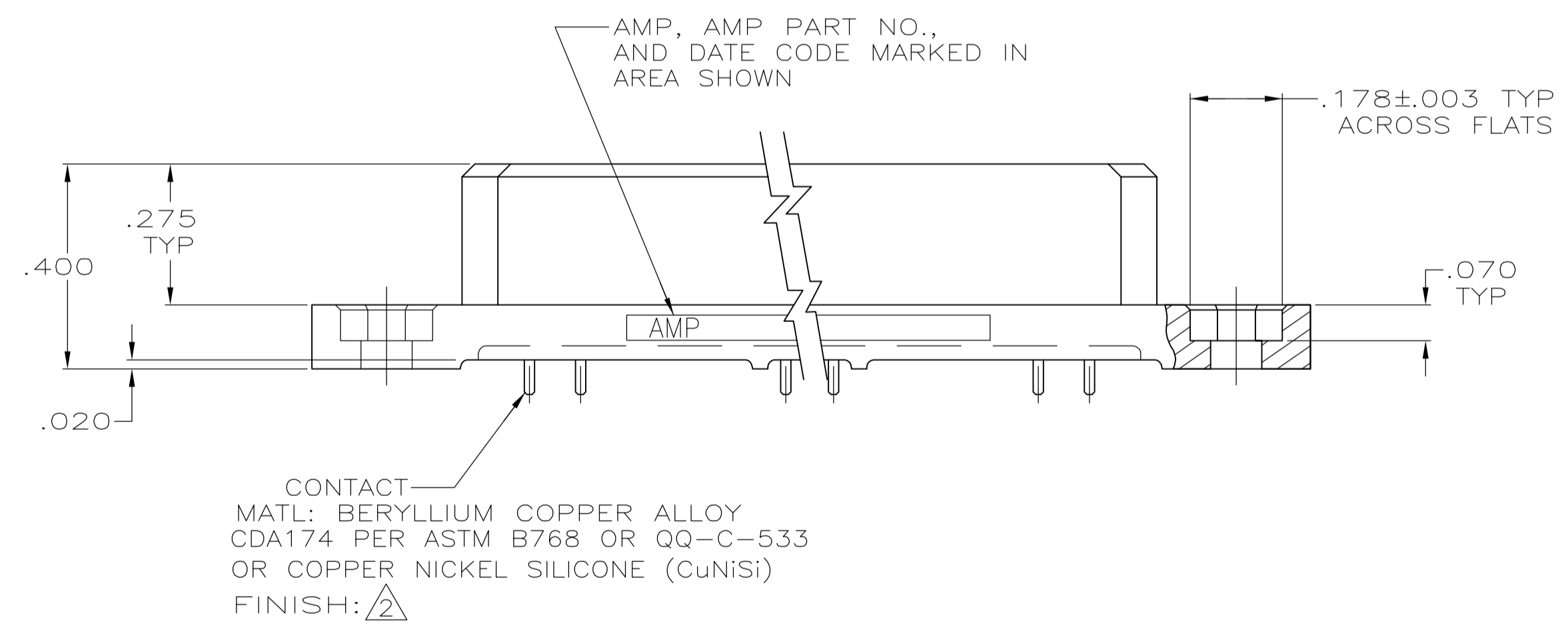


LOC		DIST		REVISIONS			
P	LTR	DESCRIPTION	DATE	OWN	APVD		
A		REV PER ECO-07-004569	19MAR07	PY	ND		



- ① KEY POSITION IDENTIFICATIONS MOLDED ON SURFACES SHOWN.
- ② FINISH: PLATED GOLD .000050 THK PER MIL-G-45204 IN CONTACT AREA WITH A POINT OF PLATING THICKNESS MEASUREMENT .135 FROM MATING END OF CONTACT; TAILS PLATED TIN-LEAD; ALL OVER NICKEL PER QQ-N-290.
- ③ FIRST TWO ROWS AND LAST TWO ROWS AND TWO ROWS NEAR CENTER ARE LOADED WITH CONTACTS.



7.400	74	7.524	7.950	8.250	300	1484562-1
E	D	C	B	A	POSN	PART NUMBER

THIS DRAWING IS A CONTROLLED DOCUMENT.		DWG C.C.THOMAS 1-10-92	Tyco Electronics Corporation Harrisburg, PA 17105-3608	
DIMENSIONS: INCHES		CHK D. MILLER 1-10-92	NAME D. MILLER 1-10-92	
TOLERANCES UNLESS OTHERWISE SPECIFIED:		PRODUCT SPEC		
0 PLC	± -	APPLICATION SPEC		
1 PLC	± -	SIZE		
2 PLC	± -	WEIGHT		
3 PLC	± -	CUSTOMER DRAWING		
4 PLC	± -	SCALE 4:1		
ANGLES	± -	SHEET 1 OF 1		
FINISH	-	REV A		