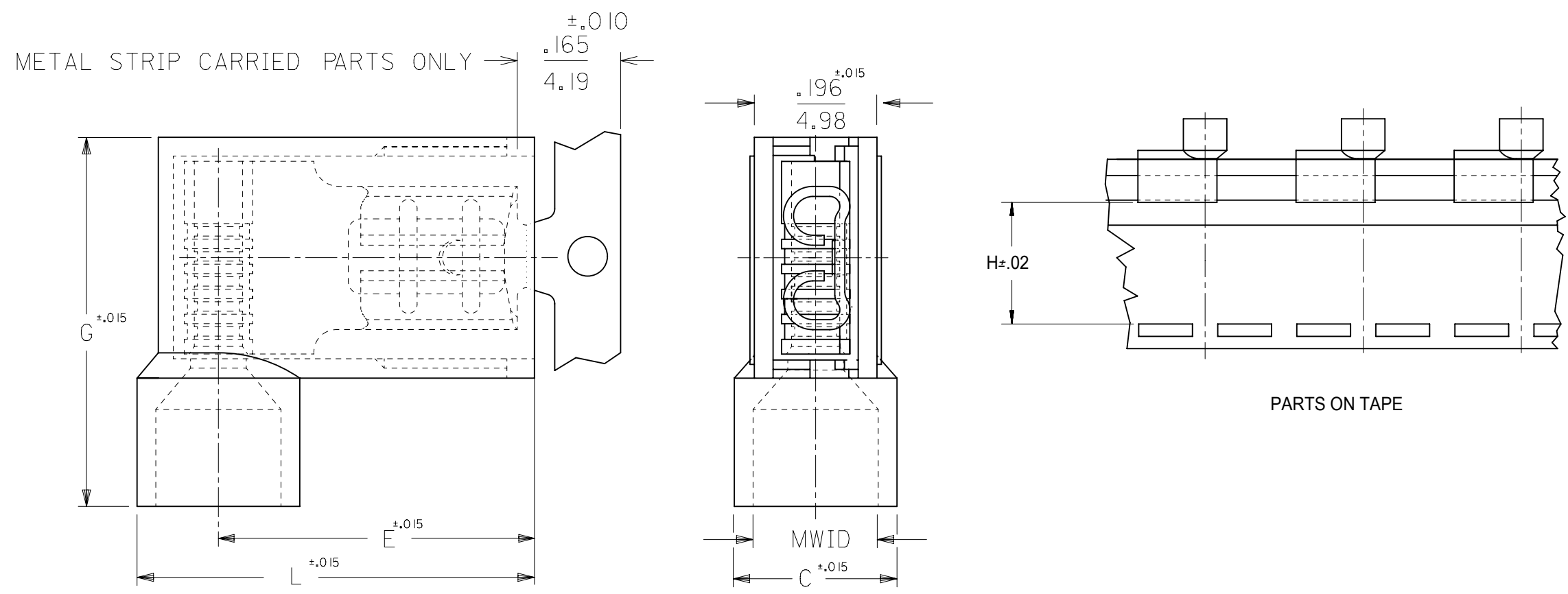


| 9 | | 8 | | 7 | | 6 | | 5 | | 4 | | 3 | | 2 | | 1 | |
|-----------------|--------------------|---------------------|--------------------|--------------------|--------------------|----------|-------|--------------------|-----------|------------|------------|------------|-----------|----------|--|---|--|
| LOOSE PIECE | | METAL STRIP CARRIED | | MYLAR TAPE CARRIED | | FEATURES | | | | DIMENSIONS | | | | | | | |
| MATERIAL NUMBER | ENGINEERING NUMBER | MATERIAL NUMBER | ENGINEERING NUMBER | MATERIAL NUMBER | ENGINEERING NUMBER | AWG | COLOR | FITS TAB SIZE (A2) | MWID | L | G | E | C | H | | | |
| 190070009 | AA-2222 | 190070014 | AA-2222Z | 190070010 | AA-2222T | 22-18 | RED | .187 x .020 | .176/4.47 | .630/16.00 | .585/14.86 | .512/13.00 | .236/5.99 | .93/23.6 | | | |
| 190070011 | AA-2222X | 190070013 | AA-2222XZ | 190070012 | AA-2222XT | 22-18 | RED | .187 x .020 | .240/6.10 | .662/16.81 | .625/15.88 | .512/13.00 | .300/7.62 | .93/23.6 | | | |
| 190070015 | AA-2223 | 190070020 | AA-2223Z | 190070016 | AA-2223T | 22-18 | RED | .187 x .032 | .176/4.47 | .630/16.00 | .585/14.86 | .512/13.00 | .236/5.99 | .93/23.6 | | | |
| 190070017 | AA-2223X | 190070019 | AA-2223XZ | 190070018 | AA-2223XT | 22-18 | RED | .187 x .032 | .240/6.10 | .662/16.81 | .625/15.88 | .512/13.00 | .300/7.62 | .93/23.6 | | | |
| 190070029 | BB-2224 | 190070034 | BB-2224Z | 190070030 | BB-2224T | 16-14 | BLUE | .187 x .020 | .200/5.08 | .630/16.00 | .585/14.86 | .500/12.70 | .260/6.60 | .93/23.6 | | | |
| 190070031 | BB-2224X | 190070033 | BB-2224XZ | 190070032 | BB-2224XT | 16-14 | BLUE | .187 x .020 | .265/6.73 | .670/17.02 | .625/15.88 | .500/12.70 | .325/8.26 | .93/23.6 | | | |
| 190070035 | BB-2225 | 190070039 | BB-2225Z | 190070036 | BB-2225T | 16-14 | BLUE | .187 x .032 | .200/5.08 | .630/16.00 | .585/14.86 | .500/12.70 | .260/6.60 | .93/23.6 | | | |
| 190070037 | BB-2225X | 190070060 | BB-2225XZ | 190070038 | BB-2225XT | 16-14 | BLUE | .187 x .032 | .265/6.73 | .670/17.02 | .625/15.88 | .500/12.70 | .325/8.26 | .93/23.6 | | | |



- NOTES:
1. MWID: MAX. WIRE INSULATION DIA.
 2. MATERIAL:
HOUSING: NYLON
TERMMINAL: TIN PLATED BRASS.
 3. ASSEMBLY IS RoHS COMPLIANT.

THIS DRAWING CONTAINS INFORMATION THAT IS PROPRIETARY TO MOLEX ELECTRONIC TECHNOLOGIES, LLC AND SHOULD NOT BE USED WITHOUT WRITTEN PERMISSION

| | | | |
|--|--------------|---|------------|
| DIMENSION UNITS | SCALE | CURRENT REV DESC: TAB AA-2223/BB-2224 | |
| IN/MM | NTS | <p>FLAG QUICK DISCONNECT FULLY INSULATED .187X.020 &.032 TAB SIZE</p> <p>PRODUCT CUSTOMER DRAWING</p> | |
| GENERAL TOLERANCES (UNLESS SPECIFIED) | | | |
| 4 PLACES | ± .13 ± 0.01 | | |
| 3 PLACES | ± .13 ± 0.01 | | |
| 2 PLACES | ± .13 ± 0.01 | | |
| 1 PLACE | ± .25 ± .01 | EC NO: 172020 | 2018/02/06 |
| 0 PLACES | ± .25 ± .01 | DRWN: GROJAS01 | 2018/02/09 |
| ANGULAR TOL | ± 0.5° | CHK'D: JMACNEIL | 2018/02/09 |
| DRAFT WHERE APPLICABLE MUST REMAIN WITHIN DIMENSIONS | | APPR: JMACNEIL | 2018/02/09 |
| THIRD ANGLE PROJECTION | | INITIAL REVISION: | |
| DRAWING | | DRWN: RM | 1989/07/26 |
| SERIES | | APPR: JM | 1989/07/26 |
| MATERIAL NUMBER | | DOCUMENT NUMBER | DOC TYPE |
| SEE CHART | | SD-19007-005 | PSD |
| CUSTOMER | | DOC PART | REVISION |
| GENERAL MARKET | | 001 | A2 |
| SHEET NUMBER | | 1 OF 1 | |