



VSU Series

◆ **Standard Ratings**

Rated Voltage (Vdc)	Rated Capacitance (μF)	Case Size ΦD×L (mm)	ESR 100~300KHz (mΩ max)	Rated Ripple Current 105°C,100KHz (mArms max)	Tan δ max	Leakage Current (μA max)	Part Number
2.5(0E)	330	5×5.7	12	3860	0.12	300	VSU0E331MCB0557
	390	5×5.7	10	3650	0.12	300	VSU0E391MCB0557
	390	6.3×5.7	10	3650	0.12	300	VSU0E391MCB6357
6.3(0J)	330	6.3×5.7	10	3900	0.12	623	VSU0J331MCB6357
	390	8×6.7	9	4500	0.12	737	VSU0J391MCB0867

PART NUMBER SYSTEM

◆ RADIAL LEAD TYPE

Series	Rated Voltage	Capacitance	Tolerance	Lead Forming Type	Lead Length	Case Dimension	Special Request
(1)	(2)	(3)	(4)	(5)	(6)	(7)	(8)
<input type="checkbox"/> <input type="checkbox"/> <input type="checkbox"/>	<input type="checkbox"/> <input type="checkbox"/>	<input type="checkbox"/> <input type="checkbox"/> <input type="checkbox"/>	<input type="checkbox"/>	<input type="checkbox"/>	<input type="checkbox"/>	<input type="checkbox"/> <input type="checkbox"/> <input type="checkbox"/> <input type="checkbox"/>	<input type="checkbox"/> <input type="checkbox"/> <input type="checkbox"/> <input type="checkbox"/> <input type="checkbox"/> <input type="checkbox"/>

(1) Series

Series	DIP	UPS	UPR	UUL	UPE	URP	URH	UGP	UGV	UGS	UPC
	SMD	VSG	VSP	VSU	VSE						

(2) Rated Voltage

Code	0E	0J	6K	7H	1A	1B	AG	1C	1D	1P	1E	1F	1V	1H	1J	2A
WV	2.5	6.3	6.8	7.5	10	12	14	16	20	22	25	30	35	50	63	100

(3) Capacitance

Code	6R8	100	180	560	101	181	561	102	182
μF	6.8	10	18	56	100	180	560	1000	1800

(4) Capacitance Tolerance

Code	J	Q	R	K	V	M	H
%	± 5	+30 / -10	+20 / -0	± 10	+20 / -10	± 20	+20 / -5

(5) Lead Type

Code	C	P
Description	Cutting	Taping
Drawing	Fig 1	Fig 2

(6) Lead Length (Cut / Formed lead)

Code	3	4	U	7	D	X	R	B	E	G	2	M	T	N
Length	3.5	4.5	5.5	7	4	2.3	2.5	2.8	3.1	3.3	2.5	3.5	3.8	+20mm min
Tolerance	±0.5			±0.2				±0.3			-15mm min			

Taping Code

Code	Z	2	3	7	5	S
Lead Pitch: +0.8/-0.2	2.0	2.5	3.5	3.5	5.0	5.0

(7) Case Dimension

DIP Code	0508	6305	6308	6311	0807	0808	0811	0816	0820	1012	1016	1020
Size	5×8	6.3×5	6.3×8	6.3×11	8×7	8×8	8×11	8×16	8×20	10×12	10×16	10×20
SMD Code	0557	6343	6357	6377	6309	0867	0897	08C7	1077	10C4		
Size	5×5.7	6.3×4.3	6.3×5.7	6.3×7.7	6.3×9	8×6.7	8×9.7	8×12.7	10×7.7	10×12.4		

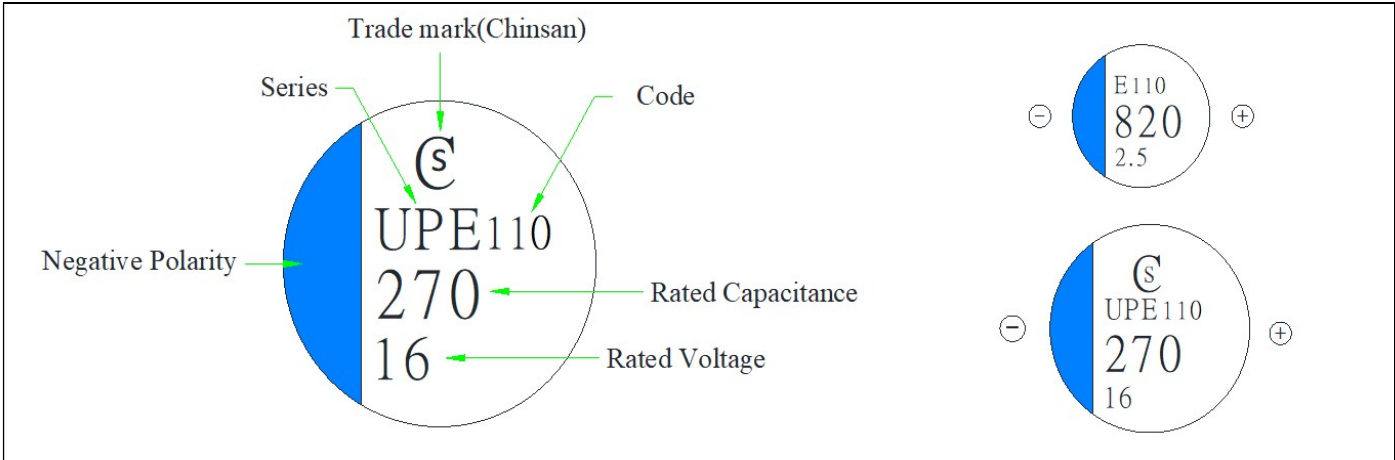
(8) Special Request

Code	R	F	L	D
Description	High Rated ripple current	Endurance	Low Leakage Current	Low Dissipation Factor
Code	U	E	---	---
Description	Convex Rubber	Low ESR	---	---

CONDUCTIVE POLYMER ALUMINUM SOLID CAPACITORS

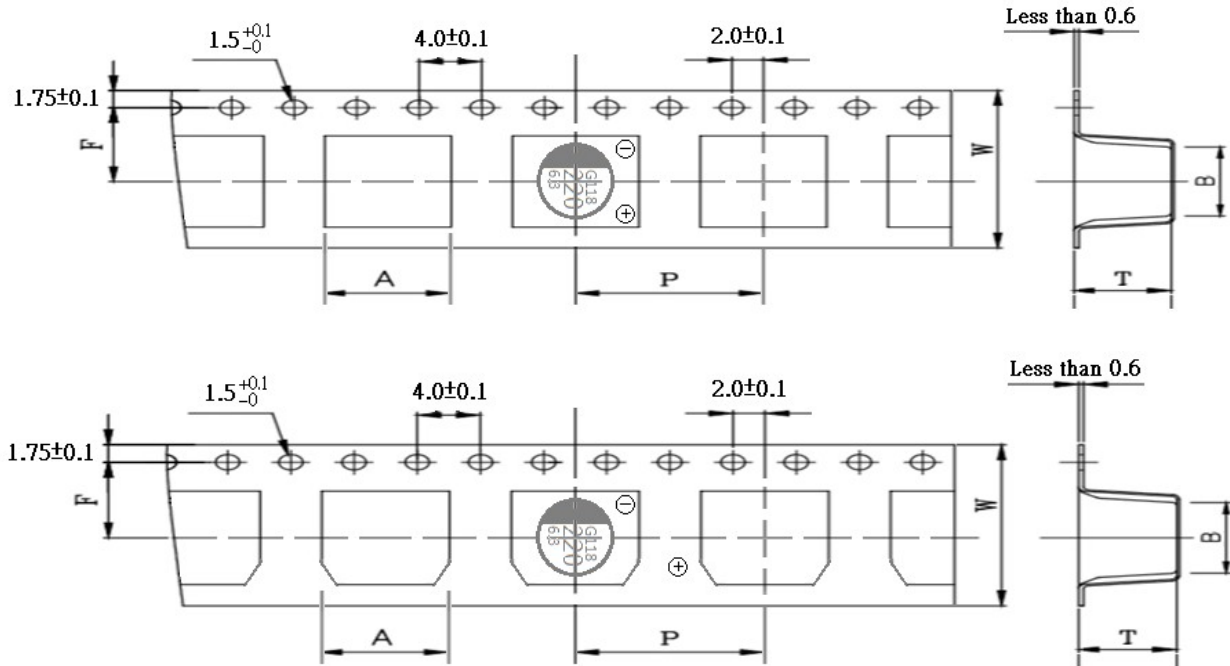


◆ MARKING AND DATE CODE



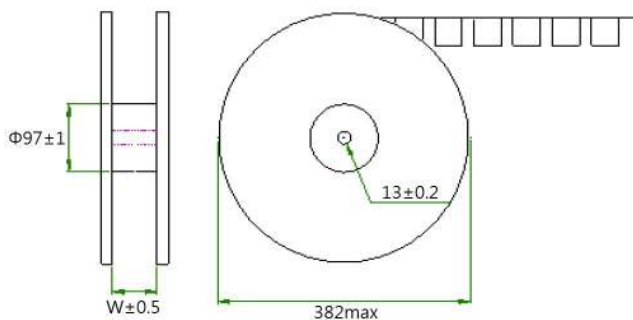
Trade Mark "CS"	Chinsan Solid Capacitor, Show on Dimension $\geq 8 \Phi$																																																						
Code (Date Code)	<p>(1)DAY</p> <table border="1"> <tr> <th>Code</th> <th>1</th> <th>2</th> <th>3</th> <th>4</th> <th>5</th> </tr> <tr> <td>Week</td> <td>The first week</td> <td>The second week</td> <td>The third week</td> <td>The fourth week</td> <td>The fifth week</td> </tr> </table> <p>(2)Month</p> <table border="1"> <tr> <th>Code</th> <th>1</th> <th>2</th> <th>3</th> <th>4</th> <th>5</th> <th>6</th> </tr> <tr> <td>Month</td> <td>Jan</td> <td>Feb</td> <td>Mar</td> <td>Apr</td> <td>May</td> <td>Jun</td> </tr> <tr> <th>Code</th> <th>7</th> <th>8</th> <th>9</th> <th>X</th> <th>Y</th> <th>Z</th> </tr> <tr> <td>Month</td> <td>July</td> <td>Aug</td> <td>Sep</td> <td>Oct</td> <td>Nov</td> <td>Dec</td> </tr> </table> <p>(3)Year</p> <table border="1"> <tr> <th>Code</th> <th>9</th> <th>0</th> <th>1</th> <th>2</th> <th>3</th> <th>4</th> </tr> <tr> <td>Year</td> <td>2019</td> <td>2020</td> <td>2021</td> <td>2022</td> <td>2023</td> <td>2024</td> </tr> </table>	Code	1	2	3	4	5	Week	The first week	The second week	The third week	The fourth week	The fifth week	Code	1	2	3	4	5	6	Month	Jan	Feb	Mar	Apr	May	Jun	Code	7	8	9	X	Y	Z	Month	July	Aug	Sep	Oct	Nov	Dec	Code	9	0	1	2	3	4	Year	2019	2020	2021	2022	2023	2024
Code	1	2	3	4	5																																																		
Week	The first week	The second week	The third week	The fourth week	The fifth week																																																		
Code	1	2	3	4	5	6																																																	
Month	Jan	Feb	Mar	Apr	May	Jun																																																	
Code	7	8	9	X	Y	Z																																																	
Month	July	Aug	Sep	Oct	Nov	Dec																																																	
Code	9	0	1	2	3	4																																																	
Year	2019	2020	2021	2022	2023	2024																																																	
Series (Print Code)	<table border="1"> <thead> <tr> <th>Series</th> <th>UPS</th> <th>UPR</th> <th>UUL</th> <th>UPE</th> <th>URP</th> <th>URH</th> <th>UGP</th> <th>UGV</th> <th>UGS</th> <th>UPC</th> <th>VSG</th> <th>VSP</th> <th>VSU</th> <th>VSE</th> </tr> </thead> <tbody> <tr> <td>$\Phi 5 \sim \Phi 6.3$</td> <td>--</td> <td>R</td> <td>L</td> <td>E</td> <td>--</td> <td>H</td> <td>P</td> <td>V</td> <td>--</td> <td>C</td> <td>G</td> <td>P</td> <td>U</td> <td>E</td> </tr> <tr> <td>$\Phi 8 \sim \Phi 10$</td> <td>UPS</td> <td>--</td> <td>UL</td> <td>UPE</td> <td>RP</td> <td>RH</td> <td>GP</td> <td>GV</td> <td>GS</td> <td>UPC</td> <td>SG</td> <td>SP</td> <td>SU</td> <td>SE</td> </tr> </tbody> </table>	Series	UPS	UPR	UUL	UPE	URP	URH	UGP	UGV	UGS	UPC	VSG	VSP	VSU	VSE	$\Phi 5 \sim \Phi 6.3$	--	R	L	E	--	H	P	V	--	C	G	P	U	E	$\Phi 8 \sim \Phi 10$	UPS	--	UL	UPE	RP	RH	GP	GV	GS	UPC	SG	SP	SU	SE									
Series	UPS	UPR	UUL	UPE	URP	URH	UGP	UGV	UGS	UPC	VSG	VSP	VSU	VSE																																									
$\Phi 5 \sim \Phi 6.3$	--	R	L	E	--	H	P	V	--	C	G	P	U	E																																									
$\Phi 8 \sim \Phi 10$	UPS	--	UL	UPE	RP	RH	GP	GV	GS	UPC	SG	SP	SU	SE																																									

SMD CARRIER TAPE DIMENSIONS



Dimension Code	Item	W	A	B	F	P	T
		±0.3	±0.2	±0.2	±0.1	±0.1	±0.2
5057 (5x5.7)		16	5.6	5.6	7.5	12	6.2
6343 (6.3x4.3)		16	7.0	7.0	7.5	12	4.7
6357 (6.3x5.7)		16	7.0	7.0	7.5	12	6.2
6377 (6.3x7.7)		16	7.0	7.0	7.5	12	8.2
6309 (6.3x9)		16	7.0	7.0	7.5	12	10.0
0867 (8x6.7)		24	8.7	8.7	11.5	12	7.2
0897 (8x9.7)		24	8.7	8.7	11.5	16	10.3
08C7 (8x12.7)		24	8.7	8.7	11.5	16	13.2
1077 (10x7.7)		24	10.7	10.7	11.5	16	8.3
10C4 (10x12.4)		24	10.7	10.7	11.5	16	13.0

◆ SMD REEL DIMENSIONS AND PACKING QUANTITY



Case Code	Quantity per reel	Quantity per Box※	W
5057	1200	12000	17.5
6343	1500	15000	
6357	1200	12000	
6377	1000	10000	
6309	800	8000	
0867	1000	7000	25.3
0897	500	3500	
08C7	400	2800	
1077	500	3500	
10C4	400	2800	

※ This may change according to a delivered quantity