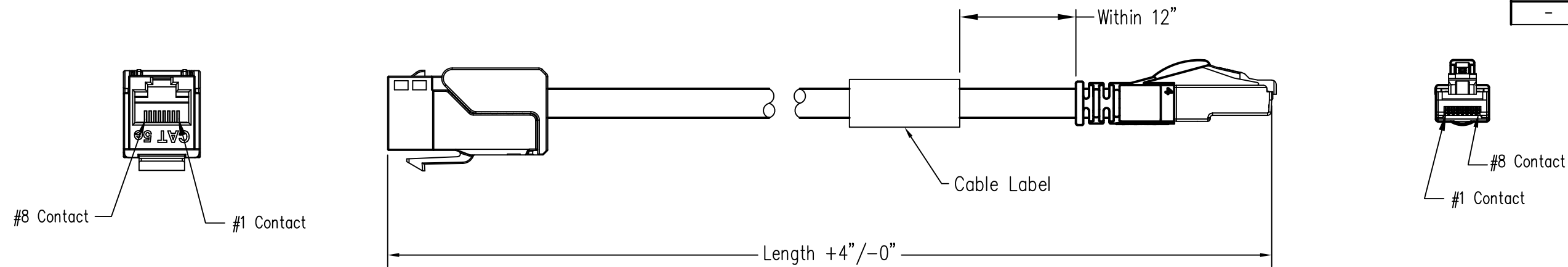


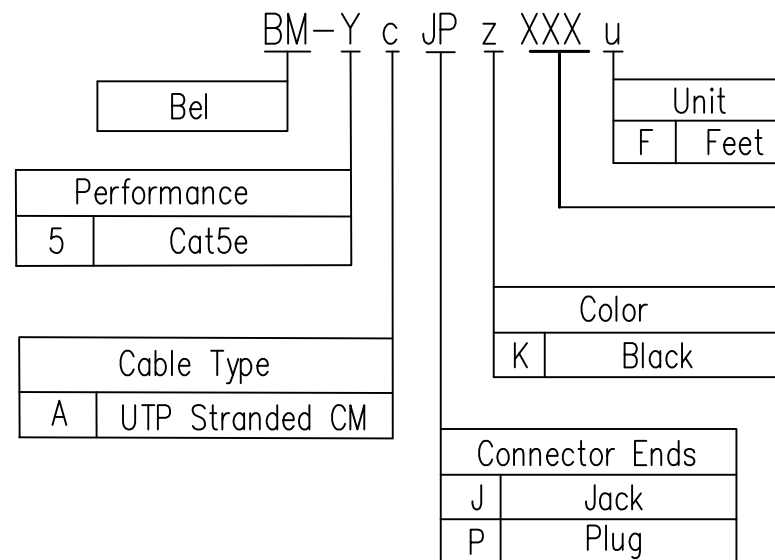
| DATE | REV | ECN | APP'D. BY |
|----------|-----|----------|-----------|
| 11/30/20 | A0 | Released | GWL |
| - | - | - | - |



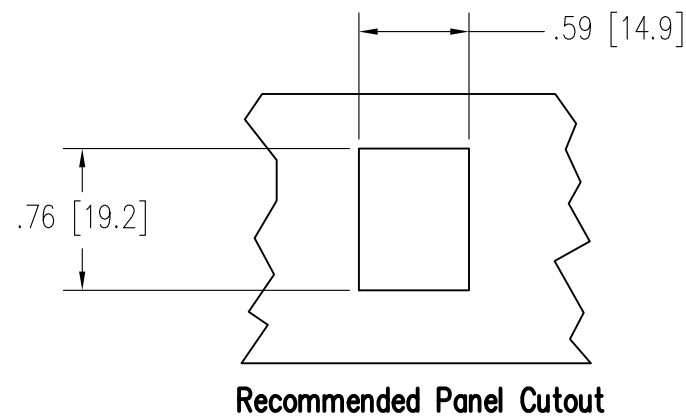
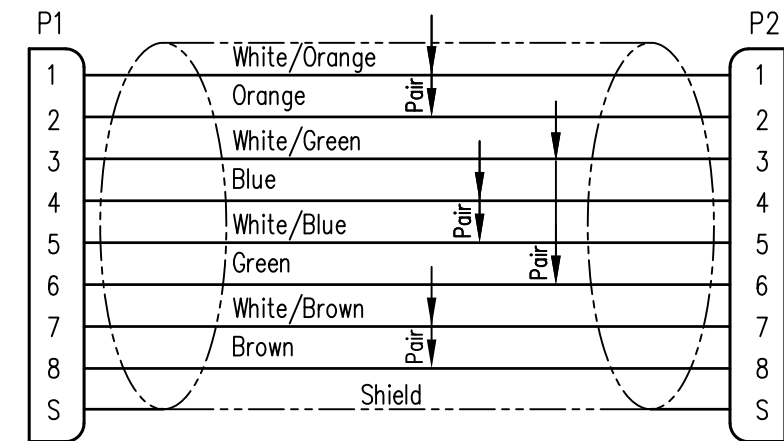
Notes:

- 1) Each cable assembly to be individually bagged.
- 2) 50μ" Gold plating on jack and plug contacts
- 3) Cable Construction:
 - 24AWG Stranded
 - Twisted pairs: Two primaries twisted together with varying lays to reduce crosstalk.
 - PVC Jacket
- 4) Slimline Snagless Strain Relief
- 5) 100% Transmission Tested for Performance

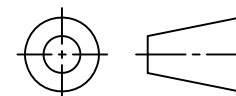
Part Number Structure



Wiring Map: 568B Standard



THIRD ANGLE PROJECTION

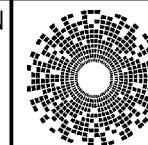


DO NOT SCALE DRAWING
DRAWING IS SUBJECT TO CHANGE WITHOUT NOTICE

DIMENSIONS: INCHES [METRIC]

UNLESS OTHERWISE SPECIFIED
TOLERANCES ARE ±.005 [0.13]
ANGLES ARE ± 1°

SHEET NO. 1 OF 1



bel

206 Van Vorst Street
Jersey City, NJ 07302
+1 201 432 0463
<http://www.belfuse.com>

TITLE:
Bel Cable Assembly, CAT 5e Jack To Cat5e plug, UTP Stranded CM

THIS DRAWING AND THE SUBJECT MATTER SHOWN THEREON ARE CONFIDENTIAL AND THE PROPRIETARY PROPERTY OF BEL FUSE, INC. AND SHALL NOT BE REPRODUCED, COPIED, OR USED IN ANY MANNER WITHOUT PRIOR WRITTEN CONSENT OF BEL FUSE, INC.

| | | | |
|----------|----------|------|----------|
| DRN BY: | GWL | DATE | 11/23/20 |
| APPD BY: | AB | DATE | 11/30/20 |
| DWG NO. | CT999232 | REV. | A0 |

