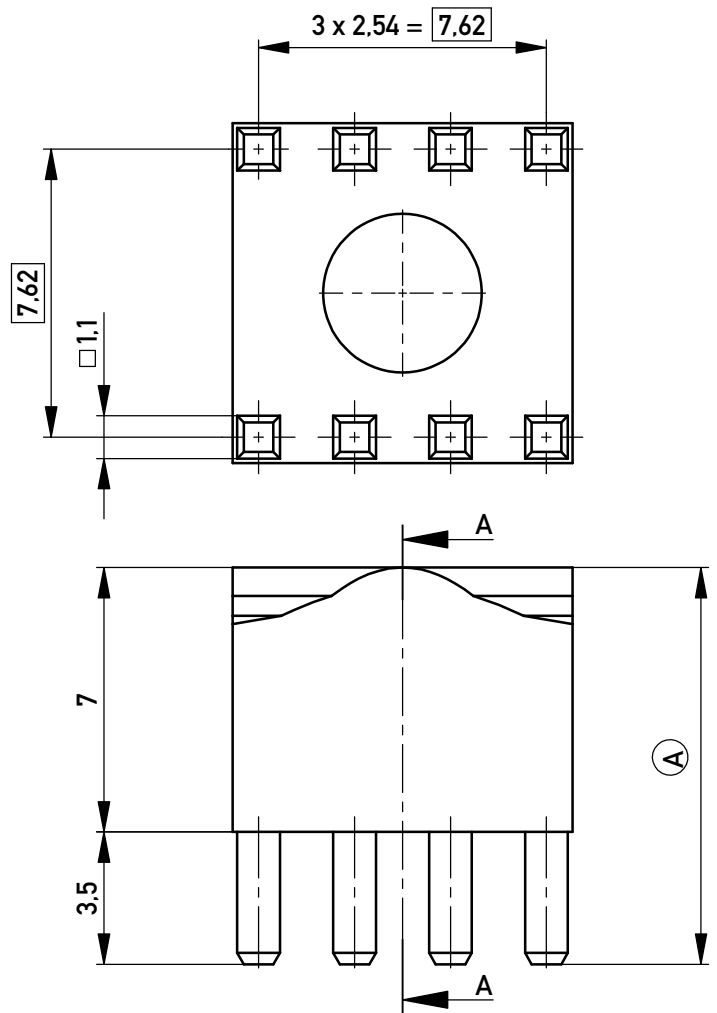
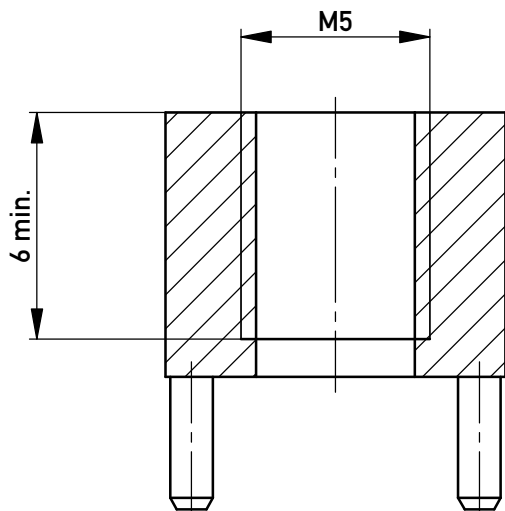
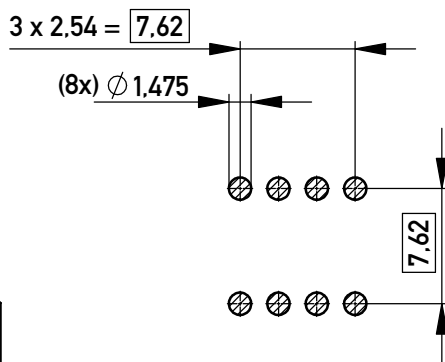


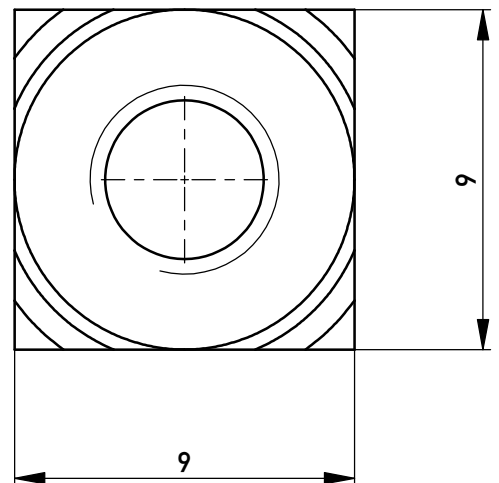
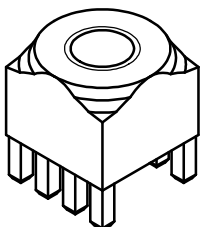
Schnitt A-A
cross section A-A



Layout - Vorschlag
PCB - Layout proposal
M 2:1
scale 2:1



M 2:1
scale 2:1

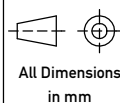


2-6µm Sn matt über 1-3µm Cu
2-6µm sn matt over 1-3µm cu

Ⓐ Oberfläche / plating

Information:

Tolerances



All Dimensions
in mm

Scale 5:1

Material: CuZn39Pb3

All rights reserved.
Only for Information.
To ensure that this is the latest
version of this drawing, please
contact one of the ERNI companies
before using.

Subject to modification without
prior notice.
Drawing will not be updated.

Designation

PowerElement female thread
two row population M5



www.ERNI.com

225695

I

A4

b
Index

13.02.2018
Date

Class

POWELM