

APPLIANCE INLET

RoHS

DAC-11/12/13

DAC-11/12:

Features

- Soldering lug, faston tab #187 and #250 are available for DAC-11, 12, 13 models (with fuse holder for DAC-13 model)
- Snap-in type for quick mounting DAC-12 models

Applications

- Applicable to all type of electronic equipments such as measuring instruments, SMPS, ITE, and OA equipments
- Note PC adapter with miniature size for DAC-18R5A, 18C

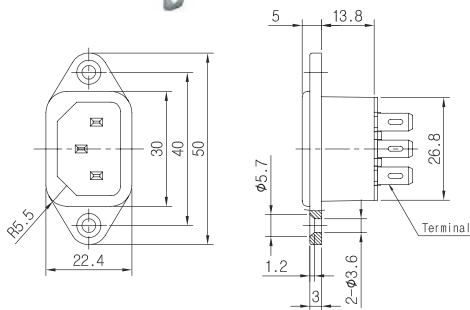
Specifications

- Material flammability classified : UL94V-0
- Tightening torque of screw : 8kgf·cm Max. for DAC-11, 13, 15 models
- Weight
 - DAC-11 : 10g
 - DAC-12 : 7.5g
 - DAC-13 : 19g
 - DAC-15 : 14.8g
 - DAC-18R5A : 3.2g
 - DAC-18E : 2.6g
 - DAC-18C : 6g

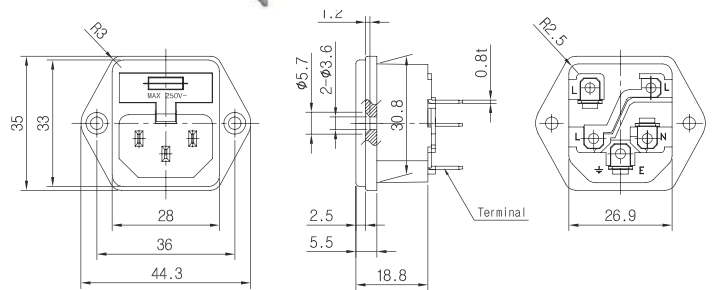
- Standard ratings
 - DAC-11/12 : 250V AC 15A(cULus)
 - 250V AC 10A(KC, CCC, VDE, CE)
 - DAC-13 : 250V AC 10A(cULus, SEMKO, KC, CE)
 - DAC-15 : 250V AC 20A(cULus)
 - 250V AC 16A(KC, TUV, CCC, CE)
 - DAC-18C : 125V AC 7A(cULus)
 - 250V AC 2.5A(cULus, KC, CCC, CE)
 - DAC-18R5A : 125V AC 7A(cULus)
 - 250V AC 2.5A(cULus, KC, CCC, CE)
 - DAC-18E : 125V AC 7A(cULus)
 - 250V AC 2.5A(cULus, KC, CCC, CE)

Shapes and Dimensions

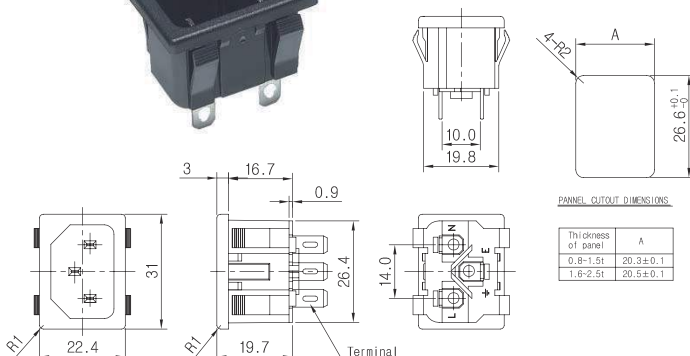
DAC-11



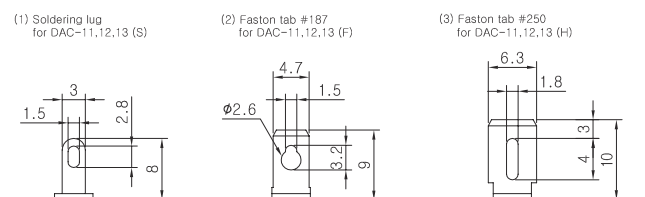
DAC-13



DAC-12



- Shapes & Dimensions of Each terminals for DAC-11, DAC-12 and DAC-13



* Unit : mm
* General tolerance : ±0.5

APPLIANCE INLET

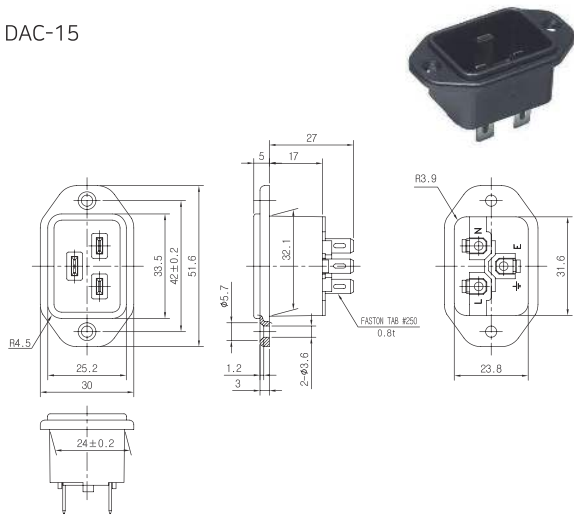


DAC-15/18C/18E/18R5A

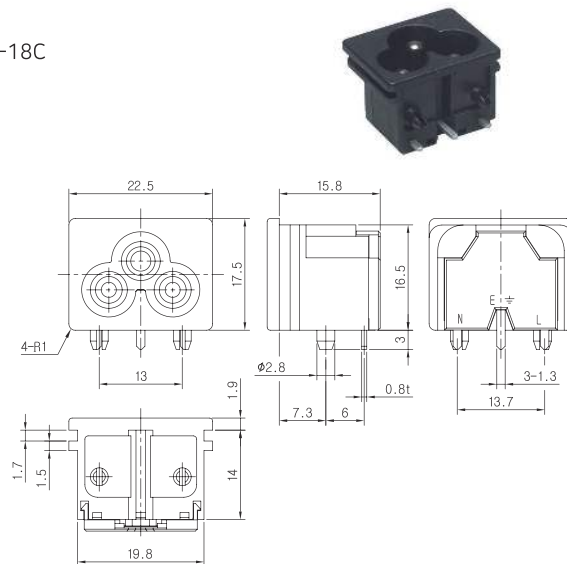
DAC-15 :
DAC-18C/18E/18R5A :

Shapes and Dimensions

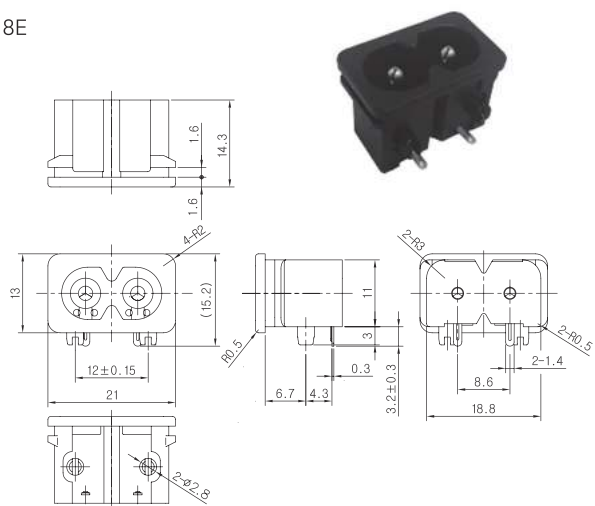
DAC-15



DAC-18C



DAC-18E



DAC-18R5A

