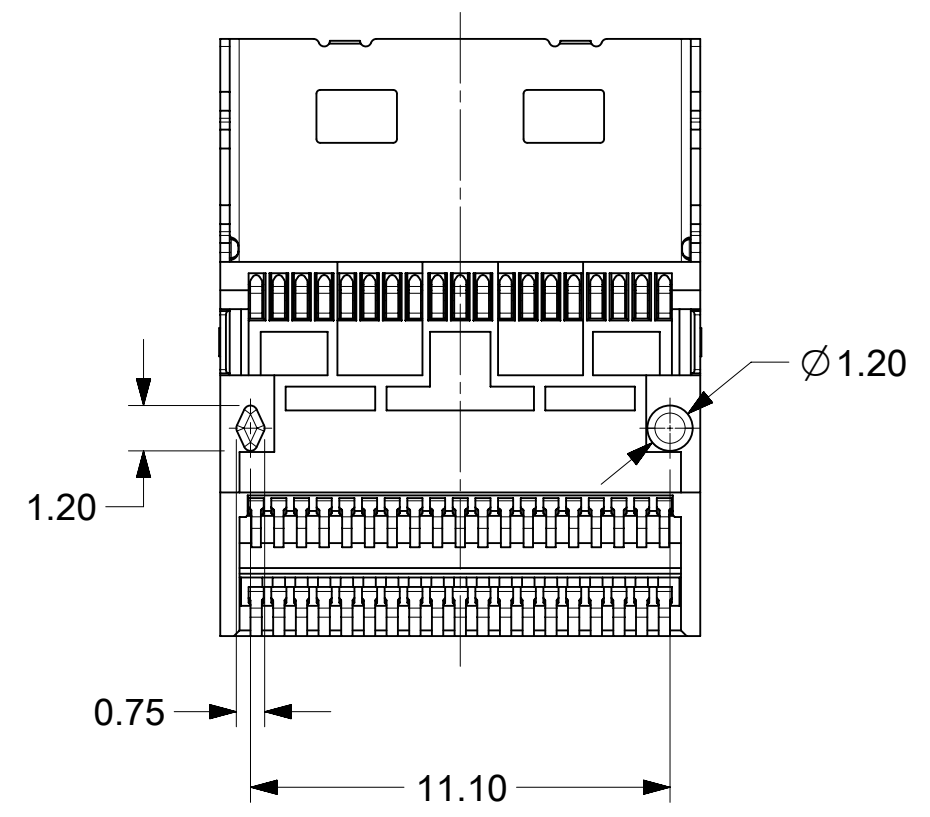
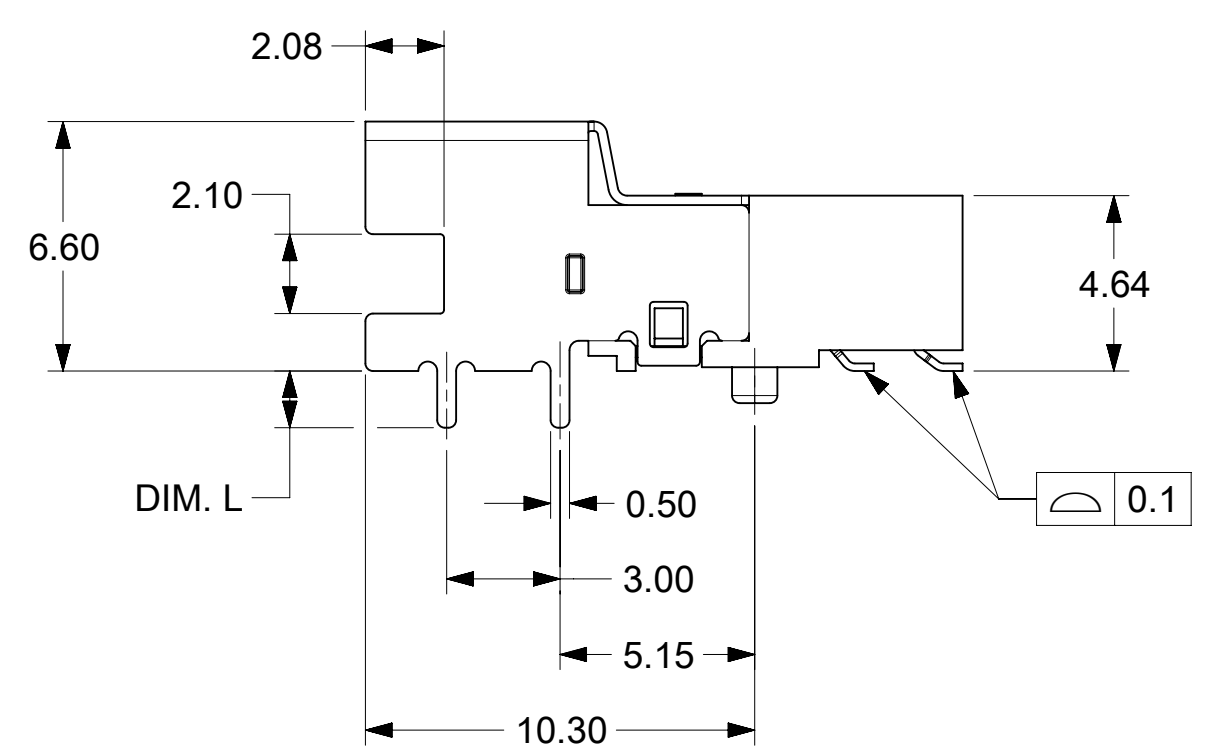
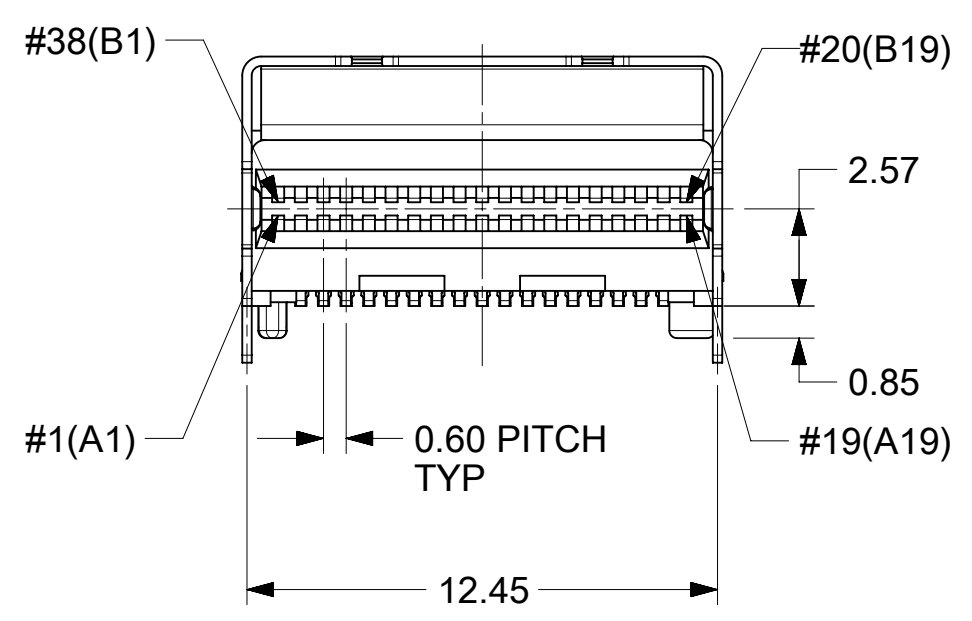
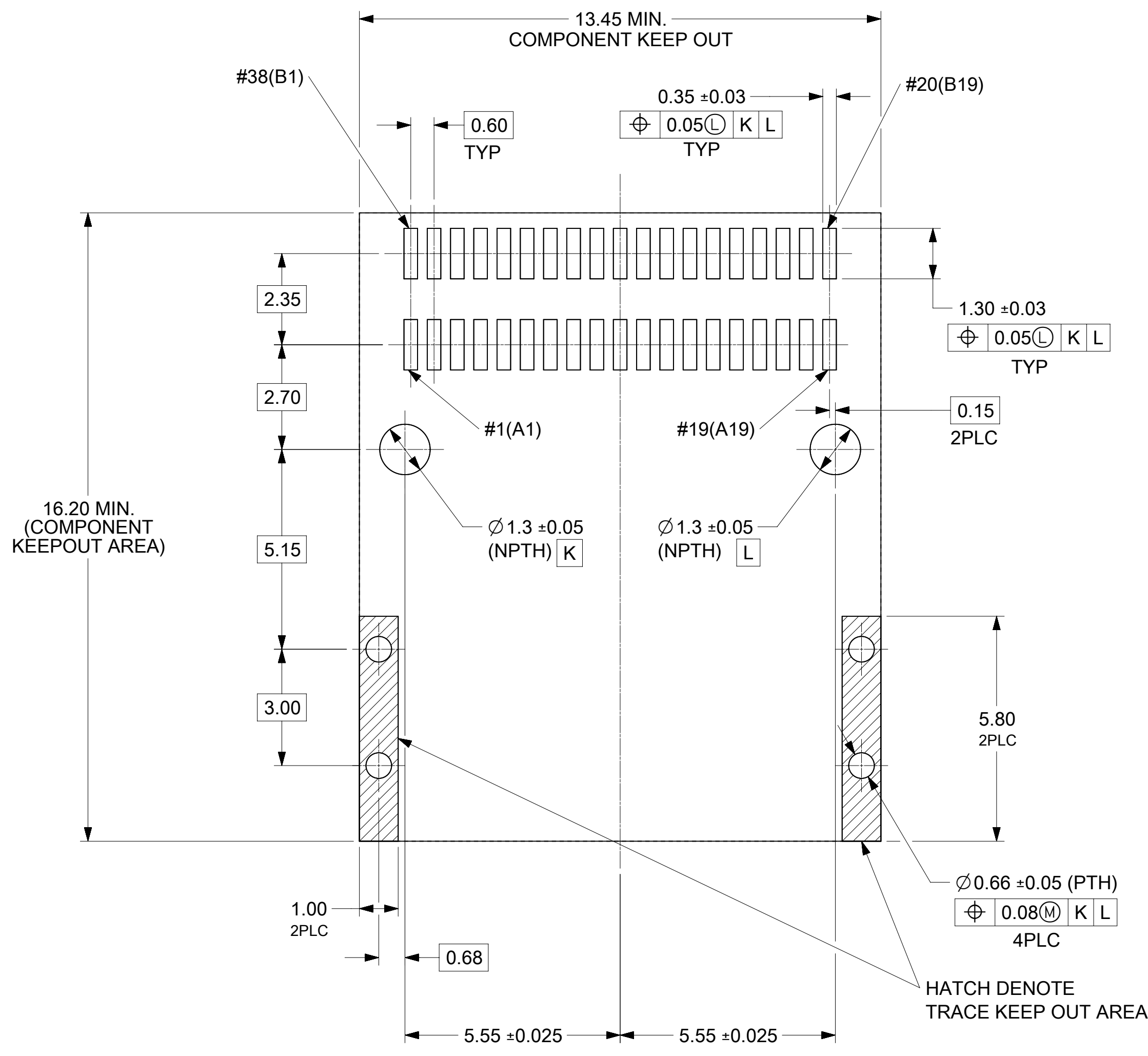


- NOTE:
- MATERIAL:
 - HOUSING : LCP, UL94-V0, BLACK OR NATURAL COLOR
 - INSERT MOLD: LCP, UL94-V0, BLACK COLOR
 - CONTACT: COPPER ALLOY
 - SHELL: NICKEL SILVER
 - FINISH:
 - CONTACT: GOLD PLATING (SEE TABLE) ON CONTACT AREA 100u" MIN. MATTE TIN PLATING ON SOLDERTAIL 50u" MIN. NICKEL UNDER PLATING OVERALL
 - GROUND: 50u" MIN. NICKEL PLATING OVERALL
 - SOLDERTAILS COPLANARITY TO BE 0.1 MAXIMUM.
 - ROHS COMPLIANT



NATURAL	0.375[15u"]	4.2	2119662118
		3.0	2119662117
		2.2	2119662116
	0.75um[30u"]	1.5	2119662115
		4.2	2119662114
		3.0	2119662113
BLACK	0.375[15u"]	2.2	2119662112
		1.5	2119662111
		4.2	2119662108
	0.75um[30u"]	3.0	2119662107
		2.2	2119662106
		1.5	2119662105
HSG COLOR	GOLD PLATING	DIM. L	PART NUMBER

FUNCTIONAL SYMBOLS $\nabla_A = 0$ $\nabla_C = 0$ $\nabla_P = 0$ DIVISIONAL SYMBOLS	THIS DRAWING CONTAINS INFORMATION THAT IS PROPRIETARY TO MOLEX ELECTRONIC TECHNOLOGIES, LLC AND SHOULD NOT BE USED WITHOUT WRITTEN PERMISSION		CURRENT REV DESC:		
	DIMENSION UNITS	SCALE	EC NO: 690306		
	mm	5:1	DRWN: ETSENG 2021/12/27		
	GENERAL TOLERANCES (UNLESS SPECIFIED)		CHK'D: ETSENG 2021/12/30		
ANGULAR TOL ± °		APPR: VPENG01 2021/12/30		PRODUCT CUSTOMER DRAWING	
4 PLACES ±		INITIAL REVISION:		DOCUMENT NUMBER	
3 PLACES ± 0.15		DRWN: SHOU 2019/11/15		2119662101	
2 PLACES ± 0.25		APPR: ETSENG 2020/03/23		DOC TYPE DOC PART REVISION	
1 PLACE ± 0.35		THIRD ANGLE PROJECTION		PSD 000 D	
0 PLACES ±		DRAWING SERIES		MATERIAL NUMBER CUSTOMER SHEET NUMBER	
DRAFT WHERE APPLICABLE MUST REMAIN WITHIN DIMENSIONS		C-SIZE 211966		SEE TABLE 1 OF 2	



FUNCTIONAL SYMBOLS $\nabla_A = 0$ $\nabla_C = 0$ $\nabla_P = 0$	THIS DRAWING CONTAINS INFORMATION THAT IS PROPRIETARY TO MOLEX ELECTRONIC TECHNOLOGIES, LLC AND SHOULD NOT BE USED WITHOUT WRITTEN PERMISSION		CURRENT REV DESC:		
	DIMENSION UNITS	SCALE			
	mm	10:1			SLIMSAS 4X RIGHT ANGLE RECEPTACLE CONNECTOR, 850HM
	GENERAL TOLERANCES (UNLESS SPECIFIED)				
	ANGULAR TOL	± °			
	4 PLACES	±			
DIVISIONAL SYMBOLS	3 PLACES	± 0.15			
	2 PLACES	± 0.25			
	1 PLACE	± 0.35			
	0 PLACES	±			
DRAFT WHERE APPLICABLE MUST REMAIN WITHIN DIMENSIONS	THIRD ANGLE PROJECTION	DRAWING	SERIES	MATERIAL NUMBER	CUSTOMER
		C-SIZE	211966	SEE TABLE	
DOCUMENT STATUS		P1	RELEASE DATE	2021/12/30 10:26:06	
12	11	10	9	8	7
6	5	4	3	2	1

EC NO: 690306			2021/12/27		
DRWN: ETSENG			2021/12/30		
CHK'D: ETSENG			2021/12/30		
APPR: VPENG01			2021/12/30		
INITIAL REVISION:					
DRWN: SHOU			2019/11/15		
APPR: ETSENG			2020/03/23		
DOCUMENT NUMBER		DOC TYPE	DOC PART	REVISION	
2119662101		PSD	000	D	
MATERIAL NUMBER		CUSTOMER		SHEET NUMBER	
SEE TABLE				2 OF 2	