

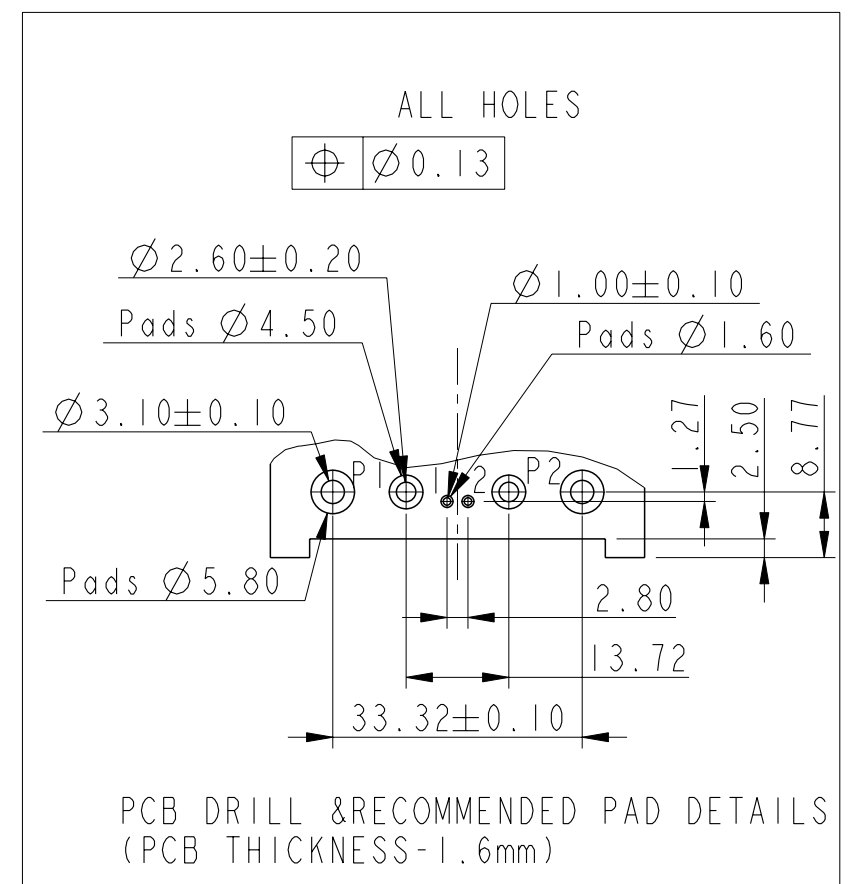
"This Product Meets European union directives & other country regulations as described in GS-22-008"

The Housing will withstand exposure to 265° peak temperature for 30 sec in a convection, infra-red or vapour reflow oven solder applications

Packing as per GS 14-1104

TECHNICAL SPECIFICATIONS

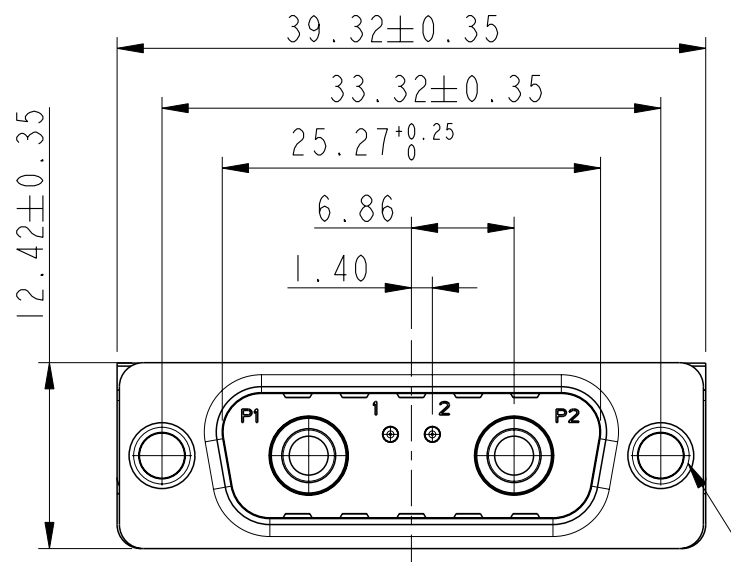
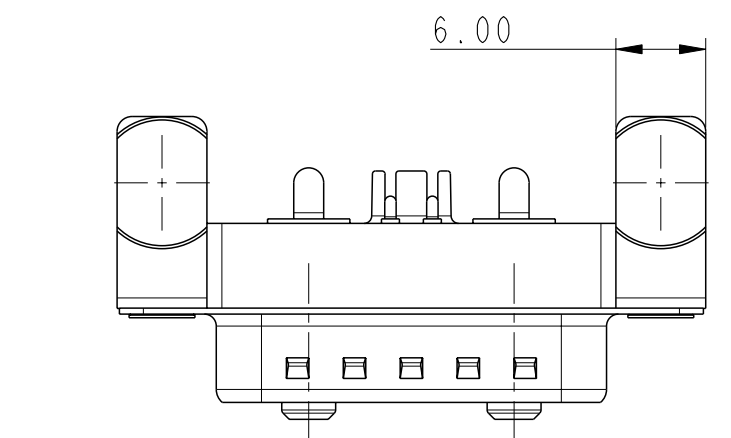
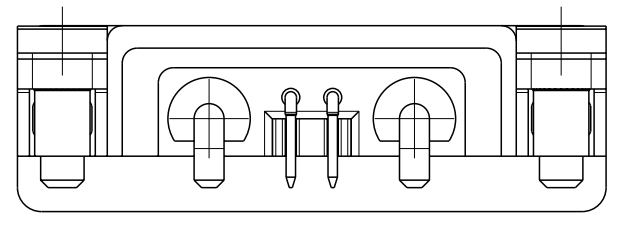
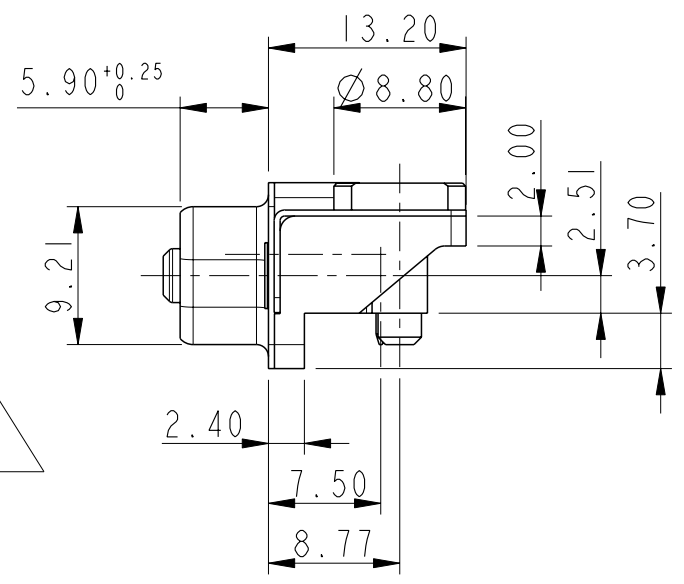
- 1: MATERIAL:  
 INSULATOR : High Temperature Thermoplastics  
 CONTACTS : Copper alloy  
 SHELLS : Steel with Nickel Plated
- 2: PLATING:  
 CONTACT ACTIVE ZONE : GOLD or Equivalent (200 matings)  
 TERMINATION ZONE : TIN over Cu  
 HARPOON : BRASS- TIN  
 THREADED INSERT : BRASS- Nickel
- 3: ELECTRICAL DATA:  
 Current Rating : 48V/24A for Power contact  
 : 0.375 A for signal contact  
 Test Voltage : 1000V  
 Contact Resistance : For Power contacts -  $\leq 10m\Omega$   
 : For Signal contacts -  $\leq 25m\Omega$   
 Insulation Resistance: 5000M Ohm  
 Electrical continuity between shell and harpoon
- 4: ENVIRONMENTAL CHARACTERISTICS- ROHS Compatible  
 Operating temperature : 70°C+30°C Temperature rise



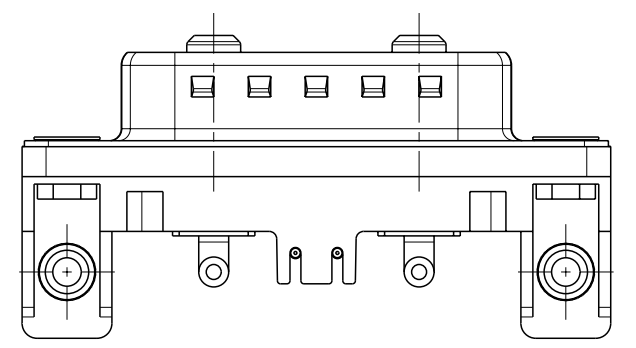
PART NO. 10070158-00412XLF

12-TAPE&REEL  
 19-CARD BOX

X-UNC4-40 Threaded insert  
 L-M3 Threaded Insert



THREADED INSERT



rev	ecn no	dr	date
A	107-0051	NG	2007-07-17
B	107-0163	NG	2007-11-30
C	108-0019	NG	2008-02-08
-	-	-	-
-	-	-	-
-	-	-	-

www.fciconnect.com		surface -	tolerance std	projection	mm
		ISO 1302	ISO 406 ISO 1101		
TOLERANCES UNLESS OTHERWISE SPECIFIED					
Dr	NIRMAL.G	2006-10-19	ANGULAR	0.X	±0.3
Eng	NIRMAL.G	2008-02-07	LINEAR	0.XX	±0.10
Chr	ANISH S	2008-02-08	0° ±2°	0.XXX	±0.050
Appr	BIJU.K.PAUL	2008-02-08	Product family	-D-SUB	Spec ref
FCi				SINGLE VERSION CONNECTOR	
MicroTCA_PCB MALE -PIP 48V				dwg no	10070158-004
catalog no				CUSTOMER	sheet 1 of 1



Copyright FCI.