

1747066-2 ✓ ACTIVE



## GRACE INERTIA 2.5

TE Internal #: 1747066-2

Housing, Plug, Wire-to-Board, 2 Position, .098 in [2.5 mm]

Centerline, Crimp, 1 Row, Natural, Mating Retention, Wire & Cable,

GRACE INERTIA 2.5

[View on TE.com >](#)

Connectors > PCB Connectors > Wire-to-Board Connectors > Wire-to-Board Connector Assemblies & Housings



Connector Product Type: **Housing**

Connector & Housing Type: **Plug**

Connector System: **Wire-to-Board**

Number of Positions: **2**

Centerline (Pitch): **2.5 mm [ .098 in ]**

### Features

#### Product Type Features

Connector Product Type	Housing
Connector & Housing Type	Plug
Connector System	Wire-to-Board
Sealable	No
Connector & Contact Terminates To	Wire & Cable

#### Configuration Features

Number of Positions	2
Number of Rows	1

#### Electrical Characteristics

Operating Voltage	50 VAC
-------------------	--------

#### Body Features

Primary Product Color	Natural
-----------------------	---------

#### Contact Features

--	--



Contact Layout	Inline
Contact Type	Pin
Contact Base Material	Copper Alloy

#### Termination Features

Termination Method to Wire & Cable	Crimp
------------------------------------	-------

#### Mechanical Attachment

Strain Relief	Without
Panel Mount Feature	Without
PCB Mount Retention	Without
Mating Retention Type	Latch
Mating Retention	With
Connector Mounting Type	Cable Mount (Free-Hanging)

#### Housing Features

Housing Entry Configuration	Both Ends Open
Housing Material	Nylon 6/6 GF
Centerline (Pitch)	2.5 mm[.098 in]

#### Dimensions

Connector Length	7.1 mm[.279 in]
Connector Height	7.35 mm[.289 in]

#### Usage Conditions

Operating Temperature Range	-30 – 105 °C[-22 – 221 °F]
-----------------------------	----------------------------

#### Operation/Application

Circuit Application	Power & Signal
---------------------	----------------

#### Industry Standards

Glow Wire Rating	Standard Part - Not Glow Wire
UL Flammability Rating	UL 94V-0

#### Packaging Features

Packaging Quantity	1000
Packaging Method	Bag

#### Product Compliance

[For compliance documentation, visit the product page on TE.com>](#)



EU RoHS Directive 2011/65/EU	Compliant
EU ELV Directive 2000/53/EC	Compliant
China RoHS 2 Directive MIIT Order No 32, 2016	No Restricted Materials Above Threshold
EU REACH Regulation (EC) No. 1907/2006	Current ECHA Candidate List: JUNE 2023 (235) Candidate List Declared Against: JAN 2023 (233) Does not contain REACH SVHC
Halogen Content	Not Low Halogen - contains Br or Cl > 900 ppm.
Solder Process Capability	Not applicable for solder process capability

Product Compliance Disclaimer

This information is provided based on reasonable inquiry of our suppliers and represents our current actual knowledge based on the information they provided. This information is subject to change. The part numbers that TE has identified as EU RoHS compliant have a maximum concentration of 0.1% by weight in homogenous materials for lead, hexavalent chromium, mercury, PBB, PBDE, DBP, BBP, DEHP, DIBP, and 0.01% for cadmium, or qualify for an exemption to these limits as defined in the Annexes of Directive 2011/65/EU (RoHS2). Finished electrical and electronic equipment products will be CE marked as required by Directive 2011/65/EU. Components may not be CE marked. Additionally, the part numbers that TE has identified as EU ELV compliant have a maximum concentration of 0.1% by weight in homogenous materials for lead, hexavalent chromium, and mercury, and 0.01% for cadmium, or qualify for an exemption to these limits as defined in the Annexes of Directive 2000/53/EC (ELV). Regarding the REACH Regulation, the information TE provides on SVHC in articles for this part number is based on the latest European Chemicals Agency (ECHA) 'Guidance on requirements for substances in articles' posted at this URL: <https://echa.europa.eu/guidance-documents/guidance-on-reach>

## Compatible Parts



TE Part # 6-1747072-2  
GRACE INERTIA CONN 2.5 ON TAPE HDR 2P RE



TE Part # CAT-G7534A-R2435  
Sig GRACE INERTIA Receptacle



TE Part # CAT-G7534A-C1701  
STD Temp Sig GRACE INERTIA Cap



TE Part # 1-1747067-2  
GRACE INERTIA CONN 2.5 HDR ASSY 2P RED



TE Part # 1903390-1  
GIC 2.5 W PLUG HSG 4P NATURAL



TE Part # 1903389-1  
GIC 2.5 W PLUG HSG 3P NATURAL



TE Part # 1903391-1  
GIC 2.5 W CAP HSG 2P NATURAL



TE Part # 1903388-1  
GIC 2.5 W PLUG HSG 2P NATURAL




TE Part # 1-1903391-2  
GIC 2.5 W CAP HSG 2P RED



TE Part # 1-1903388-2  
GIC 2.5 W PLUG HSG 2P RED



TE Part # 1871843-2  
GIC 2.5 HDR ASSY TIN VERSION 2P



TE Part # 5-1747072-2  
GRACE INERTIA CONN 2.5 ON TAPE HDR 2P NA




TE Part # 1871859-3  
GIC 2.5 REC CONT TIN PLATE TYPE (MTYPE)



TE Part # 2-2232701-1  
NEW GI CONN2.5 PLUG HSG 2P NC

Also in the Series | GRACE INERTIA 2.5




Connector Contacts(2)




PCB Headers & Receptacles(138)



PCB Latches, Locks & Retainers(5)




Rectangular Connector Housings(49)




Rectangular Connector Locking(2)



Rectangular Power Connectors(35)



Wire-to-Board Connector Assemblies & Housings(46)

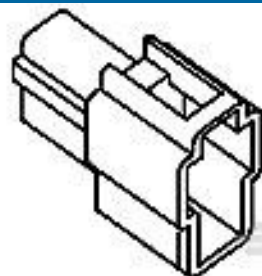


Wire-to-Board Connector Contacts(4)

Customers Also Bought



TE Part #1746973-1  
GRACE INERTIA CONNECTOR 6.2 MM PITCH TAB



TE Part #172129-1  
FF 250 PLUG HSG 2P NYLON NAT



TE Part #170263-2  
E.I.S. CONTACT



TE Part #42563-8  
250 FASTON FLAG REC 12-10 AWG TPBZ



## Documents

### Product Drawings

[GRACE INERTIA CONN 2.5 PLUG HSG 2P NATUR](#)

English

### CAD Files

Customer View Model

[ENG\\_CVM\\_CVM\\_1747066-2\\_E.2d\\_dxf.zip](#)

English

[3D PDF](#)

3D

Customer View Model

[ENG\\_CVM\\_CVM\\_1747066-2\\_E.3d\\_igs.zip](#)

English

Customer View Model

[ENG\\_CVM\\_CVM\\_1747066-2\\_E.3d\\_stp.zip](#)

English

By downloading the CAD file I accept and agree to the [Terms and Conditions](#) of use.

### Product Specifications

[Application Specification](#)

English

### Product Environmental Compliance

[TE Material Declaration](#)

English