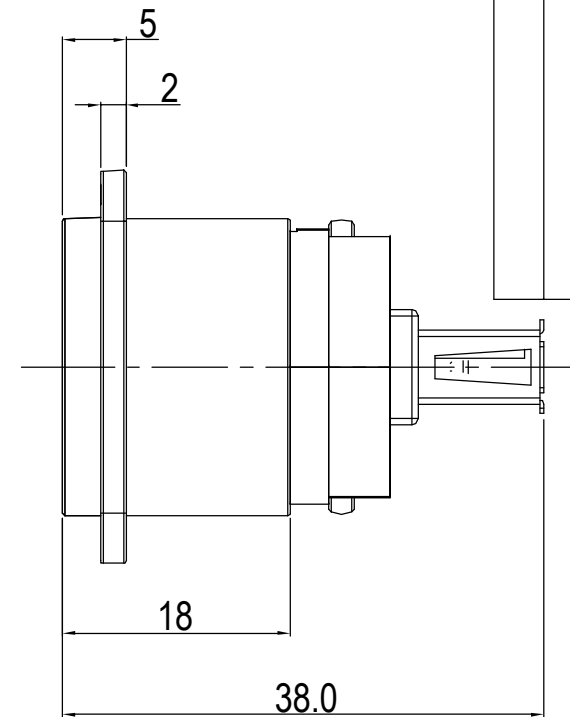
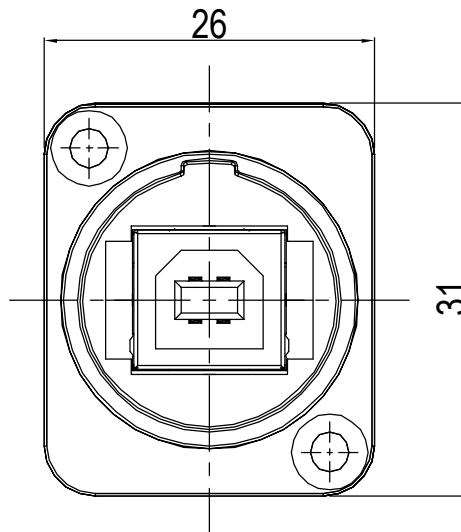
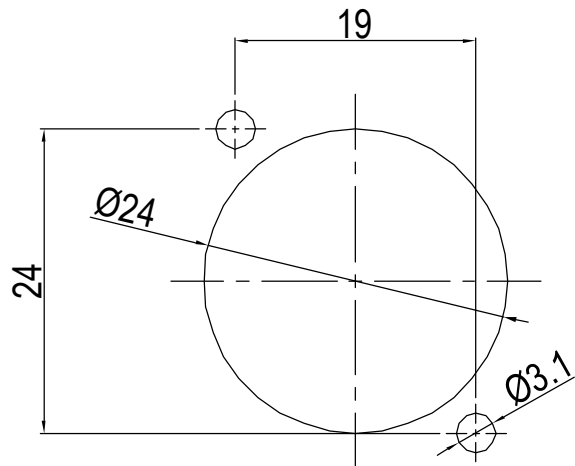


ISS.	AMEND	DATE
1	ISSUED	17/10/17

Panel cut out (front view)



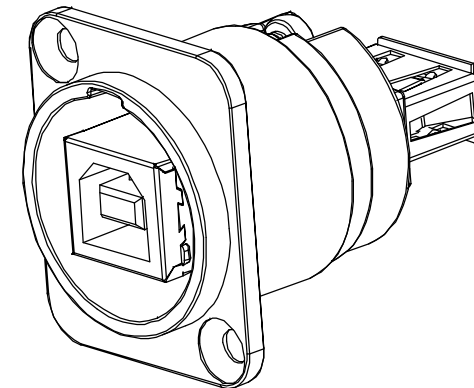
**Specification + Technical Data:**

- Contact Resistance: 30mΩ MAX
- Insulation Resistance : 500MΩ min
- Dielectric withstanding voltage: 500V AC one minute
- Rated Current: 1.5A
- Rated Voltage: 30V
- Temperature Range: 0°C to +50°C
- (High-Speed): 25Mbps ~ 400Mbps (Max 480Mbps)
- (Full Speed): 500Kbps ~ 10Mbps (Max 12Mbps)
- (Low Speed): 10Kbps ~ 100Kbps (Max 1.5Mbps)

Contact	Standard A	Standard B
1	VBUS  4.75 - 5.25 V	VBUS  4.4 - 5.25 V
2	<b>D-</b>	<b>D-</b>
3	<b>D+</b>	<b>D+</b>
4	Earthing	Earthing

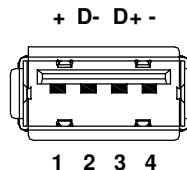
**Plating**

- Contact : Touch Area Golden Plating 1μ"
- Soldering Area Tin Plating 40μ" min
- USB Shell: Nickel Plating 40μ" min

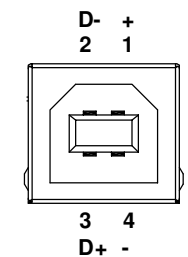


ITEM	DESCRIPTION	MATERIAL	FINISH
1	FRAME	ZINC DIECAST	BLACK
2	FT INSERT	ABS	BLACK
3	SCREW	STEEL	NICKEL
4	USB2 B-A	PBT	WHITE
5	USB2 SHELL	BRASS	NICKEL
6	CONTACTS	BRASS	GOLD

**Standard A**



**Standard B**



**RoHS COMPLIANT**

**TOLERANCE**  
 NO DEC. PLACE ±  
 1 DEC. PLACE ±  
 2 DEC. PLACE ±  
 HOLE Ø ±  
 ANGLES ±  
 UNLESS OTHERWISE STATED

**Cliff Electronic Components Ltd.**

76 Holmethorpe Avenue, Holmethorpe Industrial Estate,  
 Redhill, Surrey, RH1 2PF, England, UK  
 Tel: 01737-771375 Fax: 01737-766012 Website: www.cliffuk.co.uk

DIMENSIONS IN MILLIMETERS UNLESS OTHERWISE STATED. WORK TO DIMENSIONS. REMOVE ALL BURRS. IF IN DOUBT ASK.

3rd ANGLE PROJECTION:

DO NOT SCALE

MATERIAL: SEE TABLE

TITLE: XLR USB2 B-A FT - BLACK METAL

FINISH: SEE TABLE

DRWG. No. **CP30115**

DRAWN: T.J.O.

APPROVED: D.P.J.

FORM: A4DRWGH