



Track 80*139mm (Pair)

SKU: 87052 Weight: 123.00 Gram

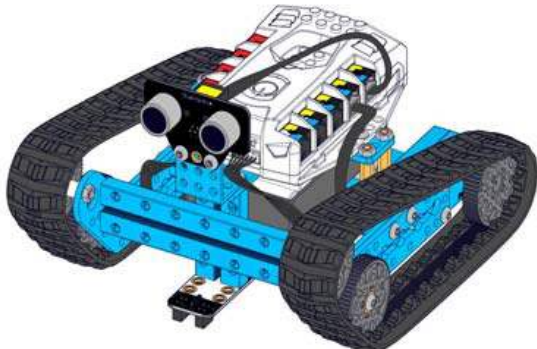
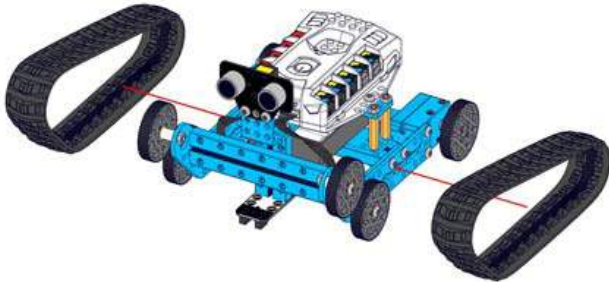
What Is Track 80*139mm (Pair)?

The internal tack of his integrative rubber track has synchronous belt teeth which enable the track to work with Makeblock 90T and 62T crawler wheels.

Features

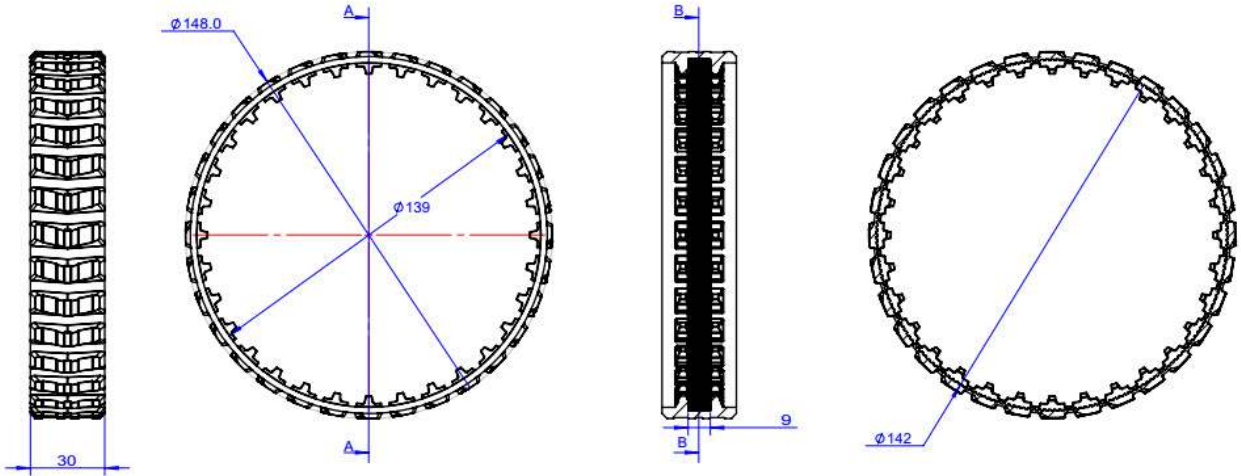
- ? Made of black environmental silica gel;
- ? Concave and convex pattern;
- ? 70HA hardness;
- ? Internal tack has synchronous belt tooth.

Demo:



Size Chart:

External diameter: 148mm, internal diameter: 139mm, width: 30mm



Specifications

SKU	87052
Product Name	Track 80*139mm (Pair)
External diameter	148mm
Internal diameter	139mm
Width	30mm
Gross Weight	123g
Package Content (Quantity x Part Name)	2 x Track 80*139mm

