

10 9 8 7 6 5 4 3 2 1

F

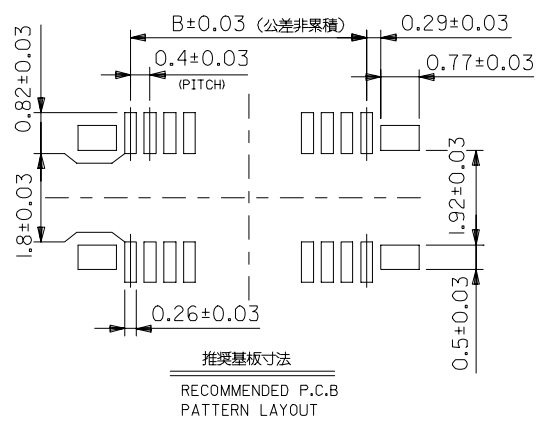
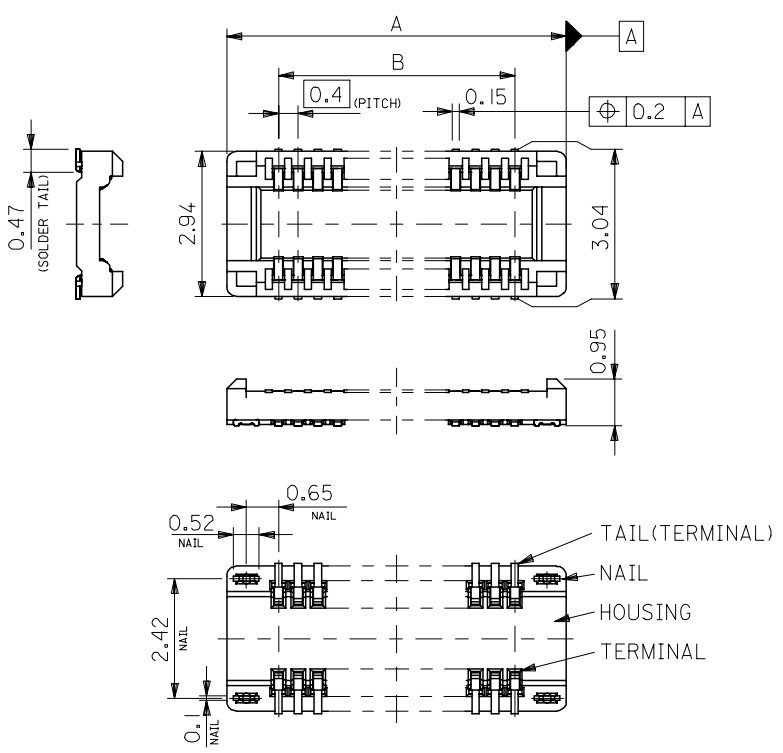
E

D

C

B

A



注記
NOTES

- 材質 MATERIAL
ハウジング : 液晶ポリマー-UL94V-0
HOUSING : LIQUID CRYSTAL POLYMER [LCP] UL94V-0
ターミナル : 銅合金
TERMINAL : COPPER ALLOY
ネール : 銅合金
NAIL : COPPER ALLOY
- メッキ仕様 PLATING
接点部 : 金メッキ 0.1µm
CONTACT AREA : GOLD PLATING 0.1µm
半田付け部 : 金メッキ 0.1µm
SOLDER TAIL AREA : GOLD PLATING 0.1µm
下地メッキ : ニッケルメッキ 1.0µm
UNDER PLATING : NICKEL PLATING 1.0µm
ネール : 錫メッキ 1.0µmMIN.
NAIL : TIN PLATING 1.0µmMIN.
下地メッキ : ニッケルメッキ 1.0µmMIN.
UNDER PLATING : NICKEL PLATING 1.0µmMIN.
- テール及びネールの平坦度は0.1以下
TAIL AND NAIL COPLANARITY : 0.1 MAX.
- 嵌合相手: 500024 シリーズ。
MATE WITH : 500024 SERIES.

500027-**-89	6.5	4.4	500027-2489	24
MODEL NO.	A	B	MATERIAL No.	CIRCUIT

RELEASED EC NO: J2006-2278 DRW:N.AIDA 2006/01/13 CHK:D.K.TOYODA 2006/01/19 APPR:N.UKITA 2006/01/26	GENERAL TOLERANCES (UNLESS SPECIFIED)		DIMENSION STYLE MM ONLY		SCALE ---	DESIGN UNITS METRIC	THIRD ANGLE PROJECTION	
	10 UNDER	±0.2	DRAWN BY N.AIDA	DATE '06/01/13	TITLE 0.4MM B/B CONN. H=0.95 PLUG HS'G ASS'Y -LEAD FREE-			
	10 OVER 30 UNDER	±0.25	CHECKED BY K.TOYODA	DATE '06/01/13				
	30 OVER	±0.3	APPROVED BY N.UKITA	DATE '06/01/13	MOLEX INCORPORATED DOCUMENT NO. SD-500027-035 SHEET NO. 1 OF 2			
ANGULAR	±1 °	MATERIAL NO. SEE CHART						
DRAFT WHERE APPLICABLE MUST REMAIN WITHIN DIMENSIONS		SIZE A3		THIS DRAWING CONTAINS INFORMATION THAT IS PROPRIETARY TO MOLEX INCORPORATED AND SHOULD NOT BE USED WITHOUT WRITTEN PERMISSION				

10 9 8 7 6 5 4 3 2 1

F

F

E

E

D

D

C

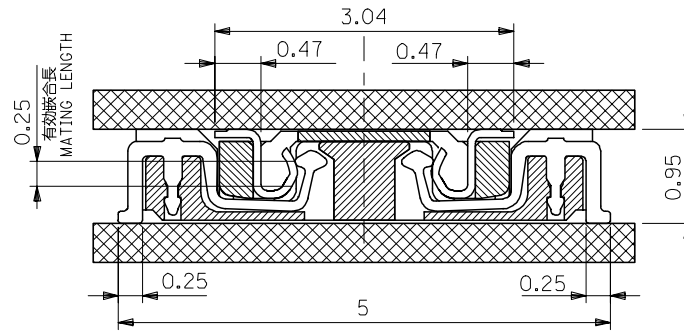
C

B

B

A

A



嵌合断面図 (参考)
MATED DRAWING

500027-**89 MODEL NO.

RELEASED EC NO: J2006-2278 DRW:NAIDA 2006/01/13 CHK:KTOYODA 2006/01/19 APPR:NUKITA 2006/01/26	GENERAL TOLERANCES (UNLESS SPECIFIED)		DIMENSION STYLE MM ONLY		SCALE ---	DESIGN UNITS METRIC	THIRD ANGLE PROJECTION
	10 UNDER	±0.2	DRAWN BY N.AIDA	DATE '06/01/13	TITLE 0.4MM B/B CONN. H=0.95 PLUG HS'G ASS'Y -LEAD FREE-		
	10 OVER 30 UNDER	±0.25	CHECKED BY K.TOYODA	DATE '06/01/13	MOLEX INCORPORATED		
	30 OVER	±0.3	APPROVED BY N.UKITA	DATE '06/01/13	DOCUMENT NO. SD-500027-035		
	ANGULAR	±1 °	MATERIAL NO. SEE CHART		SHEET NO. 2 OF 2		
0	DESCRIPTION	DRAFT WHERE APPLICABLE MUST REMAIN WITHIN DIMENSIONS		THIS DRAWING CONTAINS INFORMATION THAT IS PROPRIETARY TO MOLEX INCORPORATED AND SHOULD NOT BE USED WITHOUT WRITTEN PERMISSION			

F

E

D

C

B

A

F

E

D

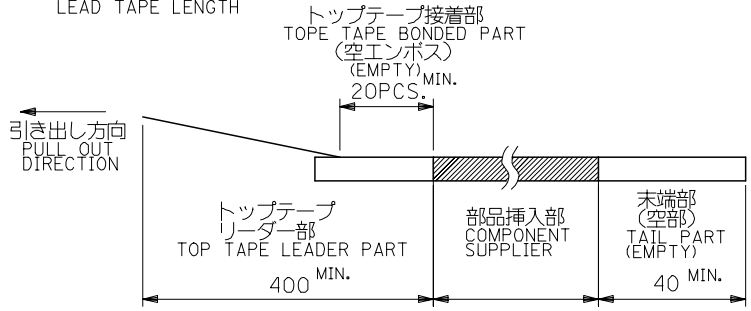
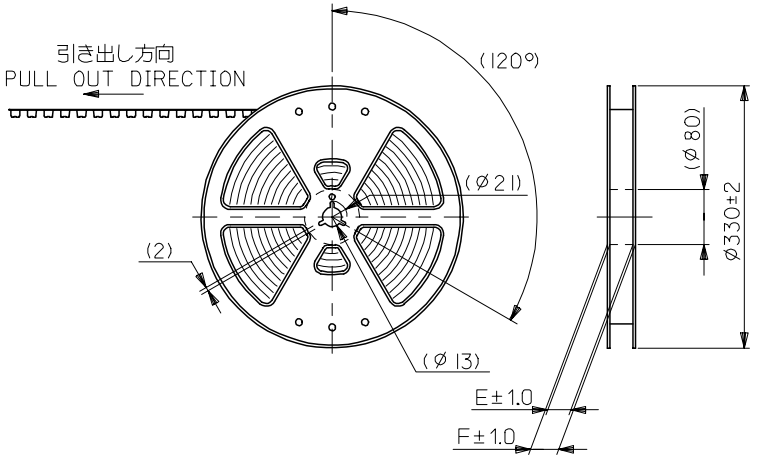
C

B

A

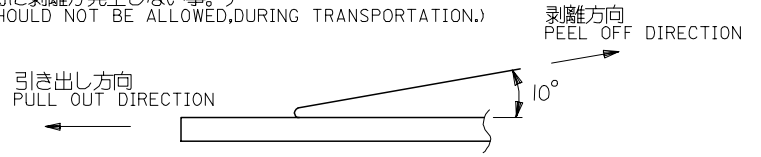
注)
NOTES

1. 製品番号 500027-***89 詳細寸法については、製品単体図面を参照下さい。
IN THE PACKAGE PART NUMBER 500027-***89 DETAILED DIMENSIONS, SEE SALES DRAWING FOR CONNECTOR.
2. 梱包数量：2000個/リール
NUMBER OF CONNECTORS : 2000 PCS/REEL.
3. リードテープ長さ
LEAD TAPE LENGTH



4. トップテープの剥離強度：(剥離方向は下図参照)
PEELING OFF FORCE OF TOP TAPE (PELLING DIRECTION AS SHOWN IN FOLLOWING FIGURE.)
0.1~1.3N (10~130gf)

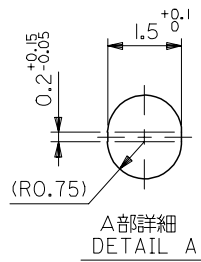
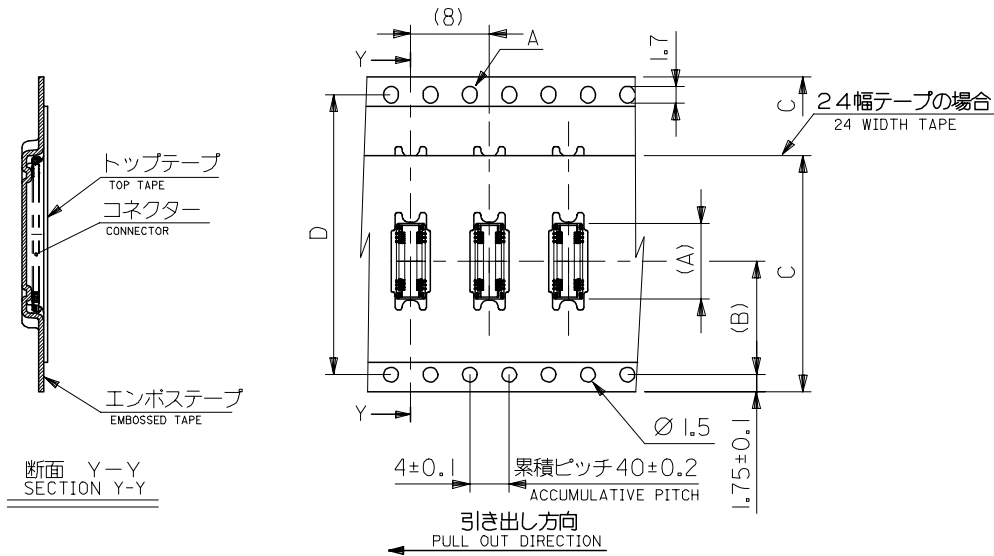
尚、本規格値は、出荷時に適用。
THIS REQUIREMENT SHOULD BE APPLIED AT SHIPMENT.
(但し、輸送時に剥離が発生しない事。)
(PEEL OFF SHOULD NOT BE ALLOWED, DURING TRANSPORTATION.)



5. 材料
MATERIAL
キャリアテープ：ポリプロピレン (PP)
CARRIER TAPE: POLYPROPYLENE (PP)
トップテープ：PET, PE, PEF
TOP TAPE: PET, PE, PEF
リール：ポリスチレン
REEL : POLYSTYRENE

500027-***81 MODEL NO.

RELEASED EC NO: J2006-2278 DRW:NAIDA 2006/01/13 CHK:KTOYODA 2006/01/19 APPR:NUKITA 2006/01/26	GENERAL TOLERANCES (UNLESS SPECIFIED)		DIMENSION STYLE MM ONLY		SCALE ---	DESIGN UNITS METRIC	THIRD ANGLE PROJECTION	
	10 UNDER	±0.2	DRAWN BY N.AIDA	DATE '06/01/13	TITLE 500027-***89 TAPING PACKAGE -LEAD FREE-			
	10 OVER 30 UNDER	±0.25	CHECKED BY K.TOYODA	DATE '06/01/13	MOLEX INCORPORATED SD-500027-036 SHEET NO. 1 OF 2			
	30 OVER	±0.3	APPROVED BY N.UKITA	DATE '06/01/13				
	ANGULAR	±1 °	MATERIAL NO. SEE CHART		DOCUMENT NO. SD-500027-036		SHEET NO. 1 OF 2	
0	DRAFT WHERE APPLICABLE MUST REMAIN WITHIN DIMENSIONS		SIZE A3		THIS DRAWING CONTAINS INFORMATION THAT IS PROPRIETARY TO MOLEX INCORPORATED AND SHOULD NOT BE USED WITHOUT WRITTEN PERMISSION			



500027-**81	6.5	11.5	24±0.3	—#—	25.4	29.4	500027-2489	500027-2481	24
MODEL NO.	(A)	(B)	C	D	E	F	CONNECTOR	MATERIAL No.	CIRCUIT

RELEASED EC NO: J2006-2278 DRW:NAIDA 2006/01/13 CHK:K:TOYODA 2006/01/19 APPR:NUKITA 2006/01/26	GENERAL TOLERANCES (UNLESS SPECIFIED)		DIMENSION STYLE MM ONLY		SCALE ---	DESIGN UNITS METRIC	THIRD ANGLE PROJECTION	
	10 UNDER	±0.2	DRAWN BY N.AIDA	DATE '06/01/13	TITLE 500027-**89 TAPING PACKAGE -LEAD FREE-			
	10 OVER 30 UNDER	±0.25	CHECKED BY K.TOYODA	DATE '06/01/13	MOLEX INCORPORATED DOCUMENT NO. SD-500027-036 SHEET NO. 2 OF 2			
	30 OVER	±0.3	APPROVED BY N.UKITA	DATE '06/01/13				
	ANGULAR	±1 °	MATERIAL NO. SEE CHART					
DRAFT WHERE APPLICABLE MUST REMAIN WITHIN DIMENSIONS		SIZE A3		THIS DRAWING CONTAINS INFORMATION THAT IS PROPRIETARY TO MOLEX INCORPORATED AND SHOULD NOT BE USED WITHOUT WRITTEN PERMISSION				