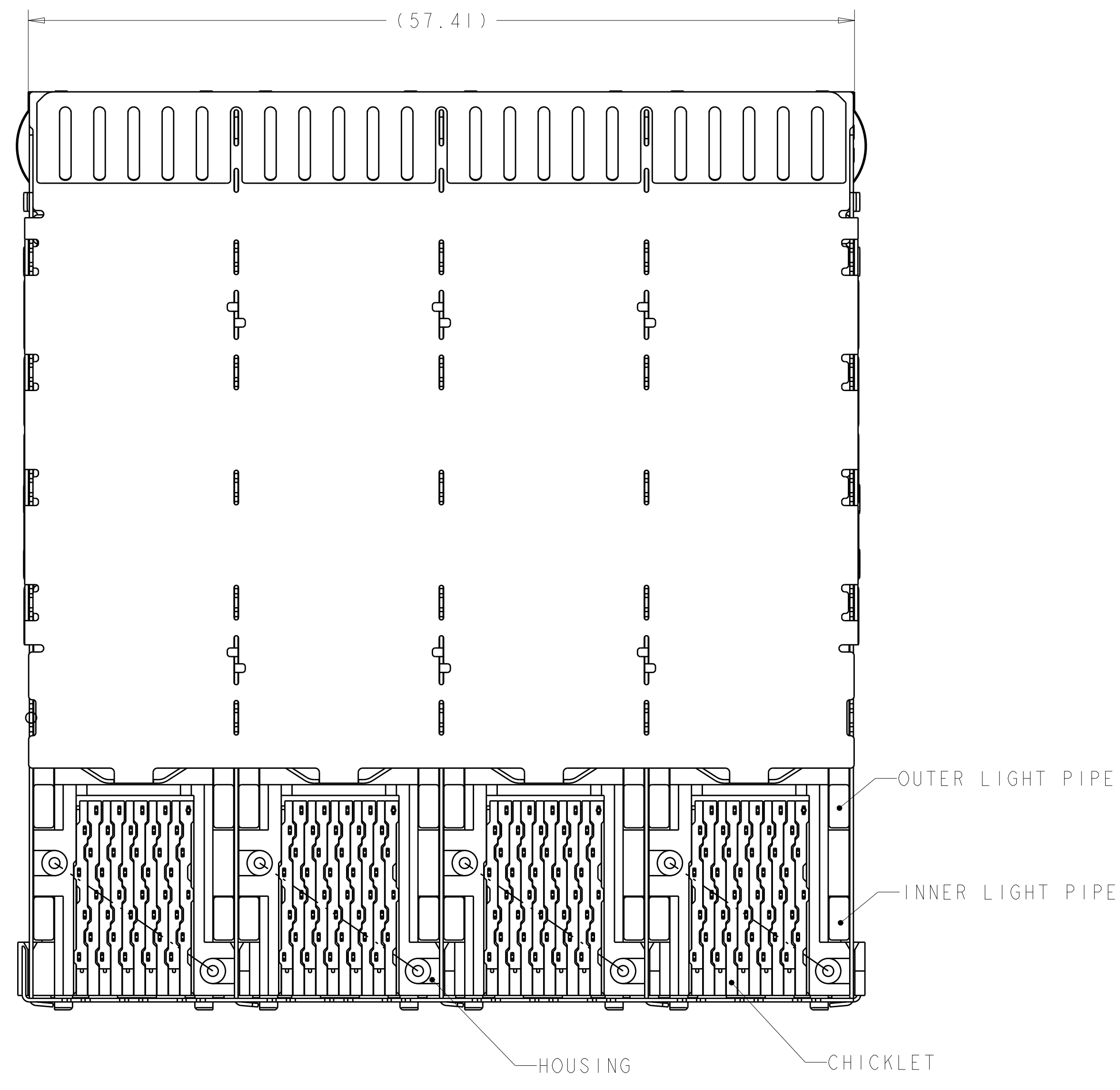
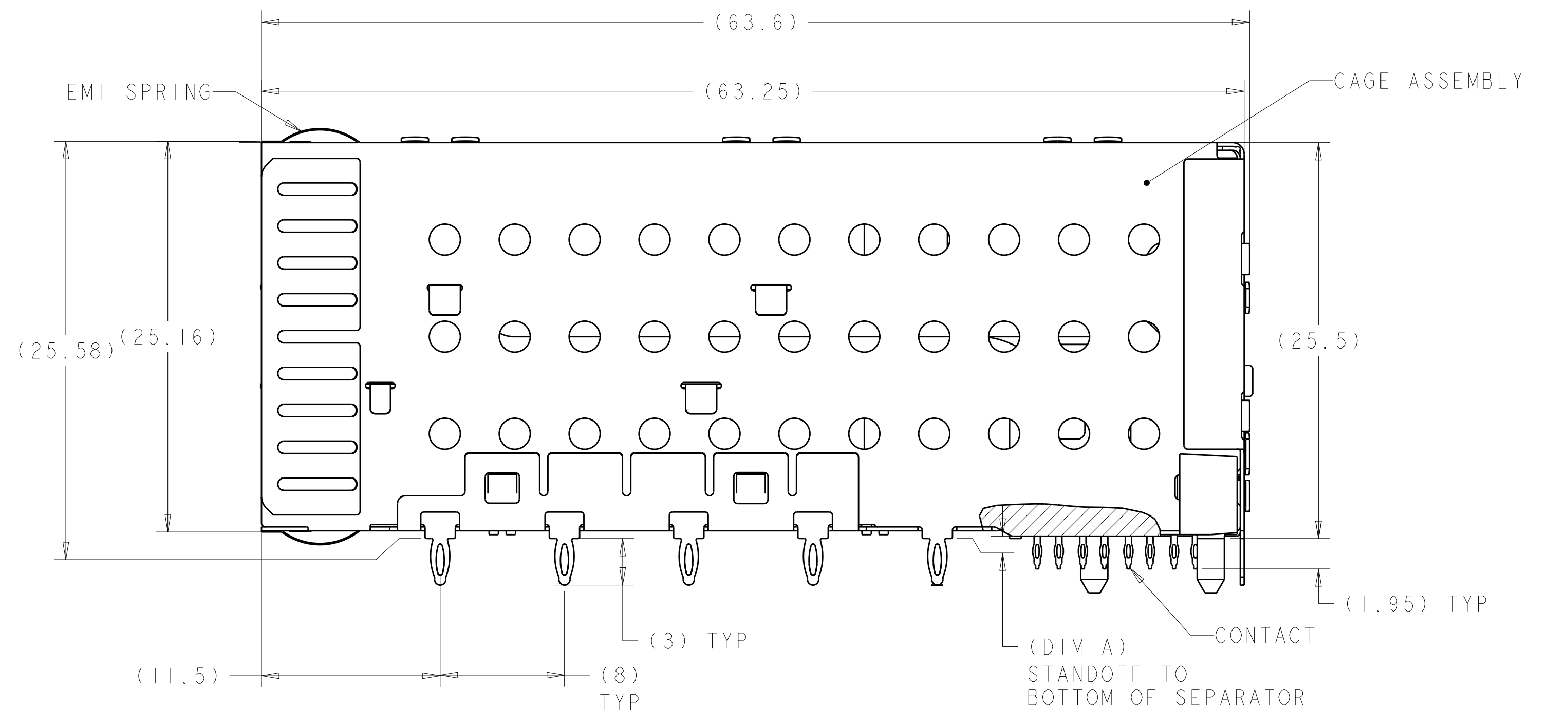
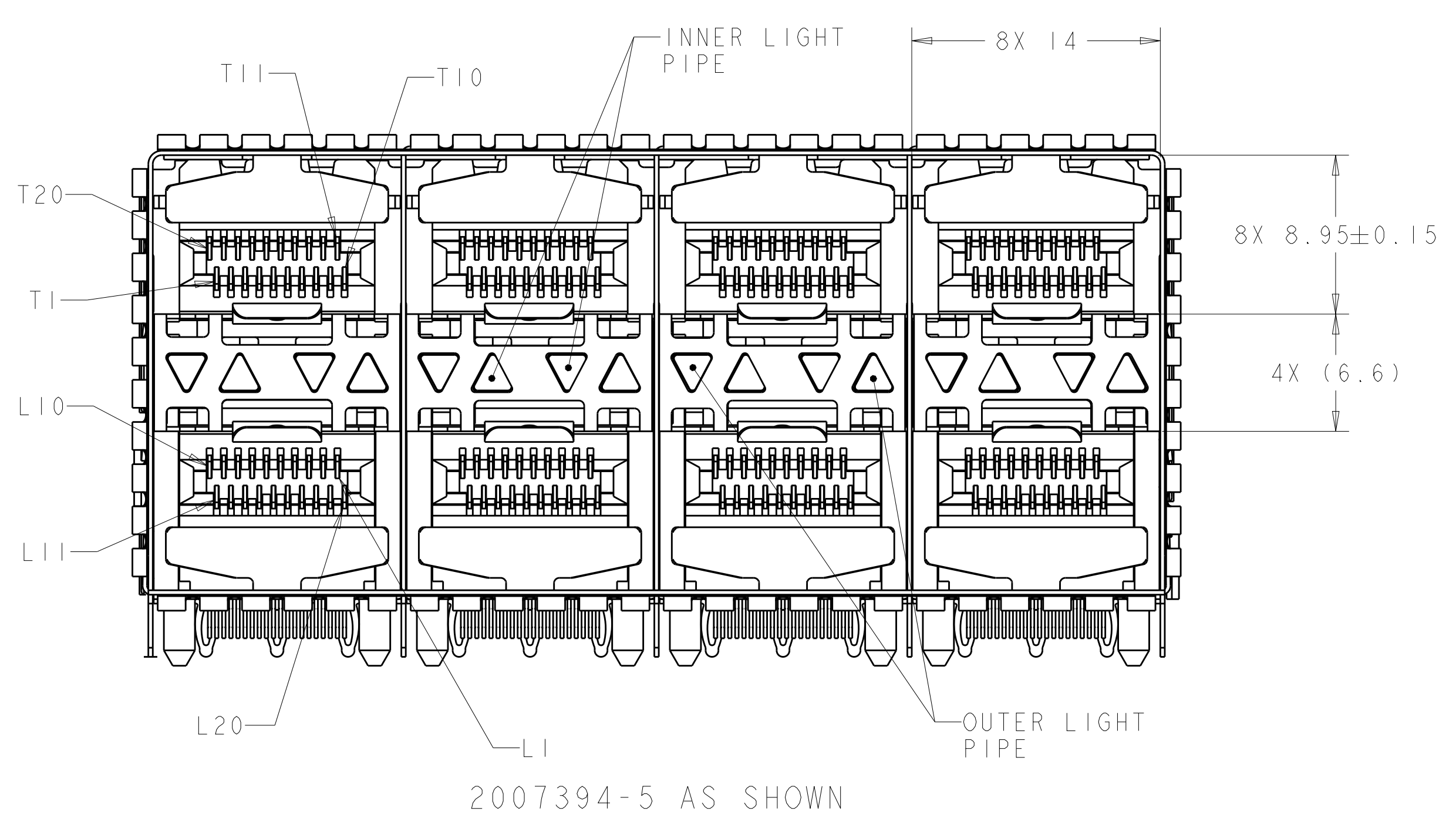


LOC		DIST		REVISIONS			
GP	00	P	LTN	DESCRIPTION	DATE	DWN	APVD
		D		REVISED PER ECO-15-017919	06APR2016	AP	RP
		D1		ADD PN 2-6 WITH DIM A 0.5MM	23SEP2019	IT	SH



- 1 MATERIALS:  
 CAGE ASSEMBLY- NICKEL SILVER ALLOY PER ASTM B 122.  
 EMI SPRING- COPPER ALLOY.  
 INSERT- LCP, BLACK, UL 94V-0.  
 HOUSING- BLACK LCP, UL 94V-0 RATED.  
 CHICKLET- BLACK LCP, UL 94V-0 RATED.  
 LIGHT PIPE- POLYCARBONATE, CLEAR.  
 CONTACT- COPPER ALLOY.
- 2 DATUM AND BASIC DIMENSIONS ESTABLISHED BY CUSTOMER.
- 3. MINIMUM PCB THICKNESS OF 1.5.
- 4 CONTACT FINISH: CONFORMS TO THE REQUIREMENTS OF TE CONNECTIVITY PRODUCT SPECIFICATION 108-2331, BASED ON EIA/ECA-364-1000.01A, (CONTROLLED ENVIRONMENT APPLICATIONS) ON MATING INTERFACE, TIN-LEAD ON NEEDLE EYE.
- 5 CONTACT FINISH: CONFORMS TO THE REQUIREMENTS OF TE CONNECTIVITY PRODUCT SPECIFICATION 108-2331, BASED ON EIA/ECA-364-1000.01A, (CONTROLLED ENVIRONMENT APPLICATIONS) ON MATING INTERFACE, TIN ON NEEDLE EYE.
- 6 FOR HOLE SIZE AND PLATINGS, SEE APPLICATION SPEC 114-13219.
- 7 THE ENTIRE AREA OF THE CONNECTOR FOOTPRINT, INDICATED BY THE DASHED LINE, TO BE CONSIDERED THE KEEPOUT AREA FOR COMPONENTS AND SIGNAL TRACES, TOP SIDE ONLY. TOP SIDE TRACES ALLOWED WITHIN CONNECTOR HOLE PATTERN.
- 8 LIGHT PIPE PAD LAYOUT IS FOR 0805 LOW PROFILE LED PACKAGE WITH A HEIGHT OF 0.8mm.
- 9 EMI SPRING FINISH: 0.8µm MINIMUM MATTE TIN OVER 0.8µm MINIMUM NICKEL, NONPLATED EDGES PERMISSIBLE.
- 10 ADDITIONAL COMPONENT LOCATED WITHIN LATCH PLATE FOR EMI SUPPRESSION.

	0.50	YES 10	5	INNER 2 LIGHT PIPES	2-2007394-6
				NO LIGHT PIPES	1-2007394-8
	0.15	YES 10	5	OUTER 2 LIGHT PIPES	1-2007394-7
				INNER 2 LIGHT PIPES	1-2007394-6
	0.15	NO	5	4 LIGHT PIPES	1-2007394-5
				NO LIGHT PIPES	2007394-8
	0.15	NO	5	OUTER 2 LIGHT PIPES	2007394-7
				INNER 2 LIGHT PIPES	2007394-6
SUPERSEDED	0.15	NO	4	4 LIGHT PIPES	2007394-5
				NO LIGHT PIPES	2007394-4
	0.15	NO	4	OUTER 2 LIGHT PIPES	2007394-3
				INNER 2 LIGHT PIPES	2007394-2
				4 LIGHT PIPES	2007394-1
	DIM A	ENHANCED EMI	FINISH	DESCRIPTION	PART NUMBER

THIS DRAWING IS A CONTROLLED DOCUMENT. DIMENSIONING AND TOLERANCING PER ASME Y14.5M-2009. TOLERANCES UNLESS OTHERWISE SPECIFIED:

DIMENSIONS:	mm	0 PLC ±0.10	1 PLC ±0.10	2 PLC ±0.10	3 PLC ±0.10	4 PLC ±0.10	ANGLES ±°	FINISH
-------------	----	-------------	-------------	-------------	-------------	-------------	-----------	--------

MATERIAL 1

4 5 9

THIS DRAWING IS A CONTROLLED DOCUMENT. DIMENSIONING AND TOLERANCING PER ASME Y14.5M-2009. TOLERANCES UNLESS OTHERWISE SPECIFIED:

DWN: M. SHIRK 10OCT2007  
 CHK: D. SZCZESNY 10OCT2007  
 APVD: D. SZCZESNY 10OCT2007

NAME: CAGE AND PT CONNECTOR ASSEMBLY, WITH EMI SPRINGS, PRESS FIT, 2X4, STACKED SFP+

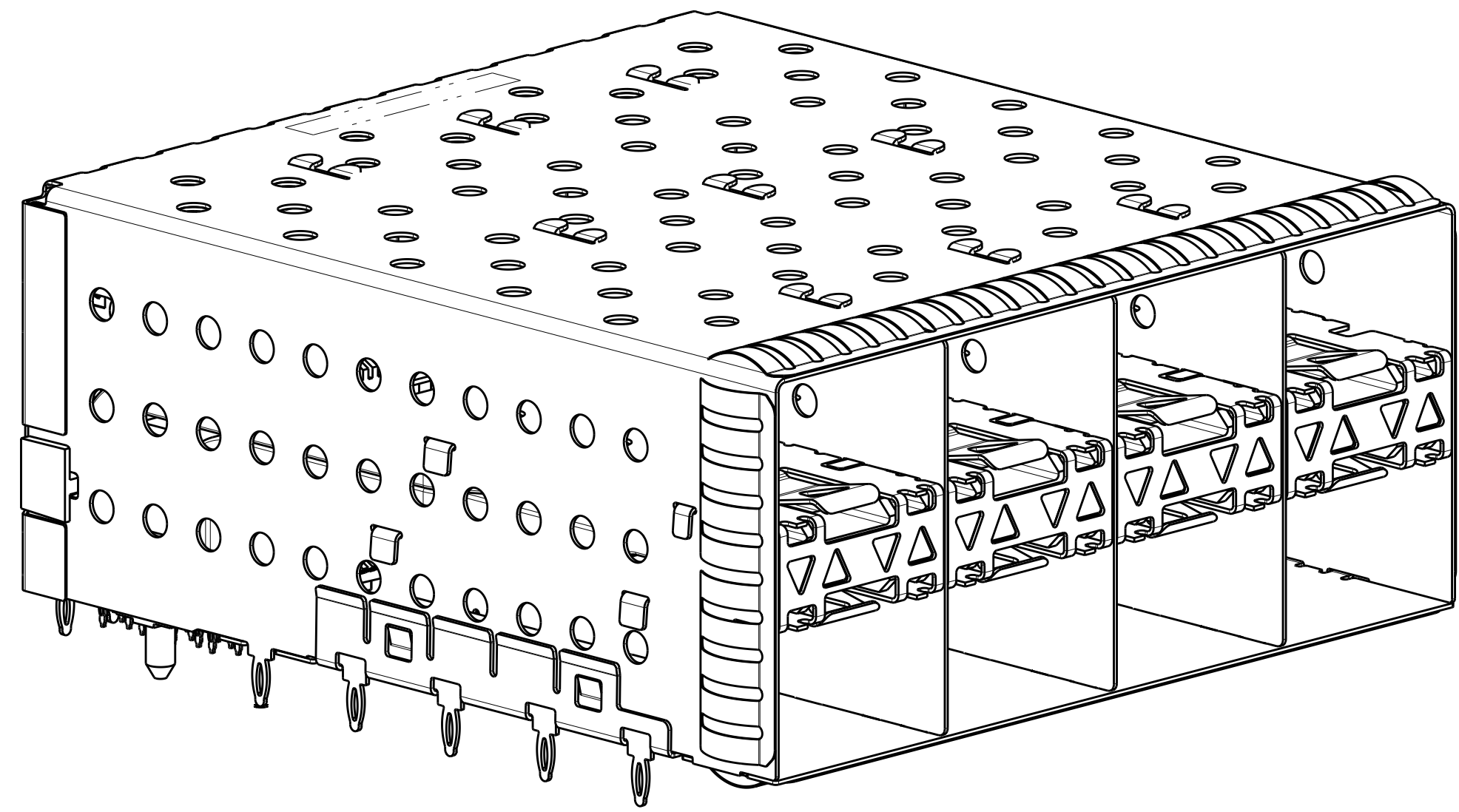
PRODUCT SPEC: 108-2331  
 APPLICATION SPEC: 114-13219

SIZE: A1  
 CAGE CODE: 00779  
 DRAWING NO: 2007394

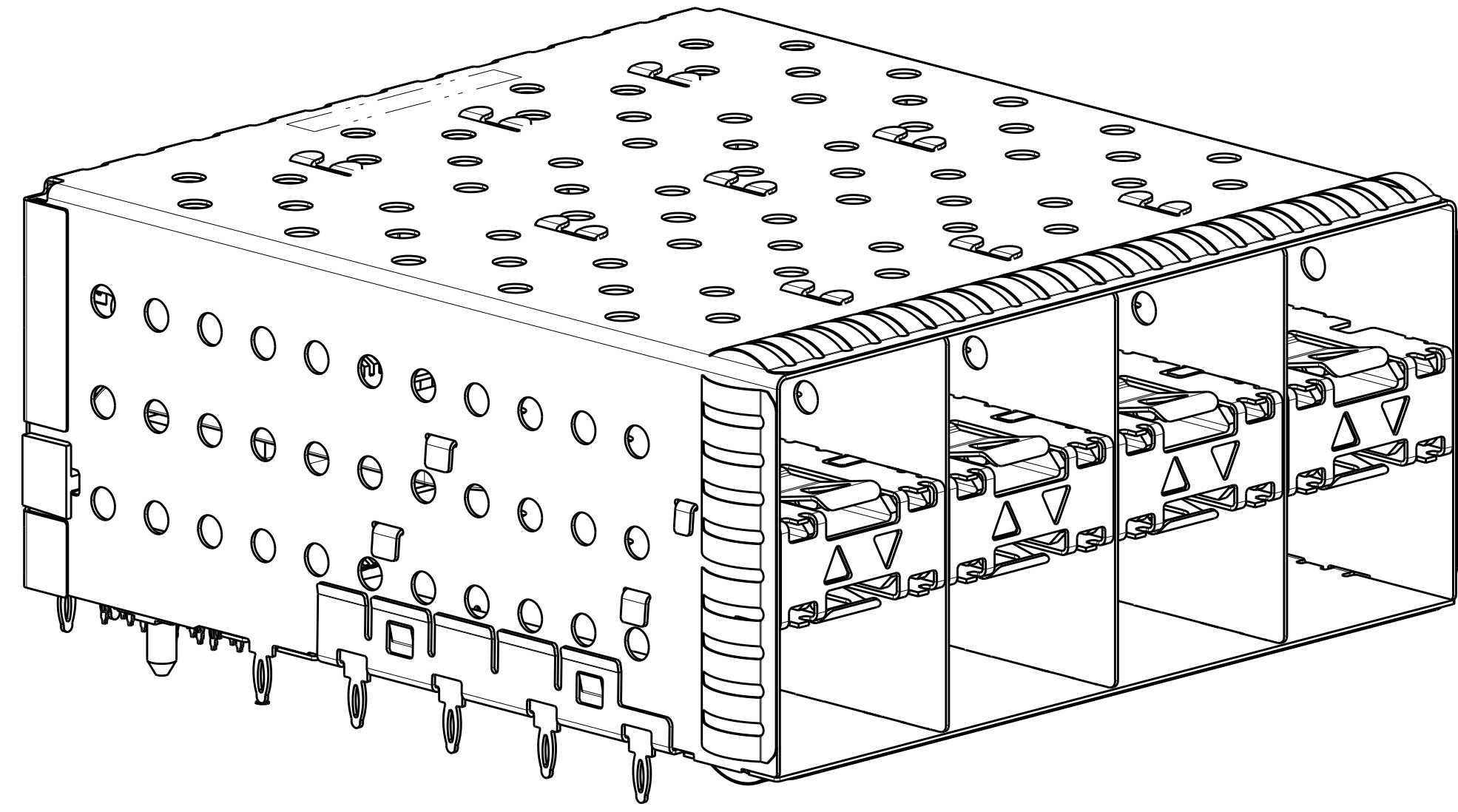
RESTRICTED TO: CUSTOMER DRAWING

SCALE: 4:1 SHEET 1 OF 4 REV D

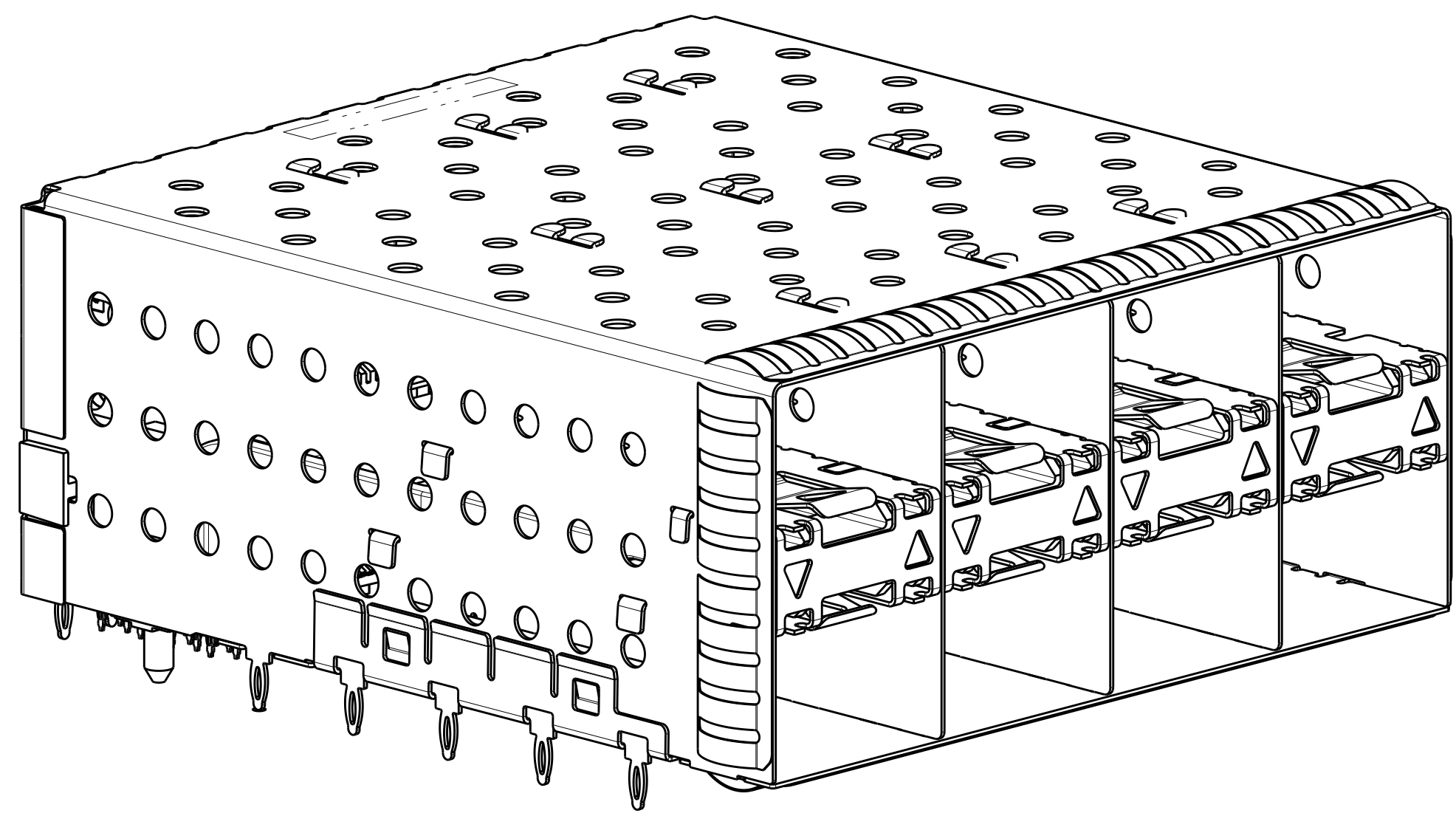
LOC	DIST	REVISIONS					
		P.	LTN	DESCRIPTION	DATE	DMN	APVD
		rev.	sym.	1666_8H6E111		rev.	defect
		rev.	sym.	2rev_desc.2		rev.	defect
		rev.	sym.	3rev_desc.3		rev.	defect
		rev.	sym.	4rev_desc.4		rev.	defect



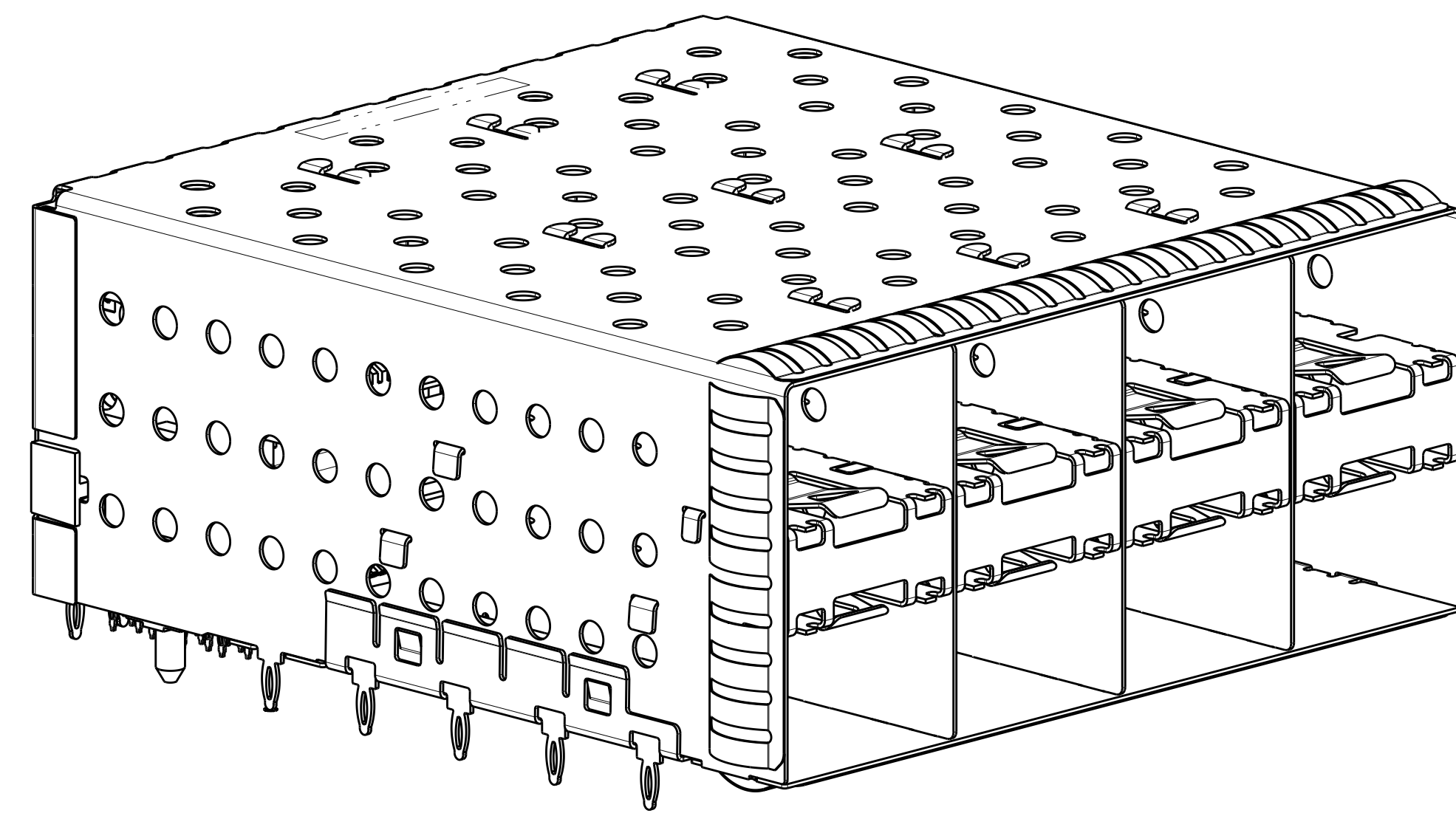
2007394-5 AND 1-2007394-5  
 SCALE 3:1



2007394-6, 1-2007394-6 AND 2-2007394-6  
 SCALE 3:1



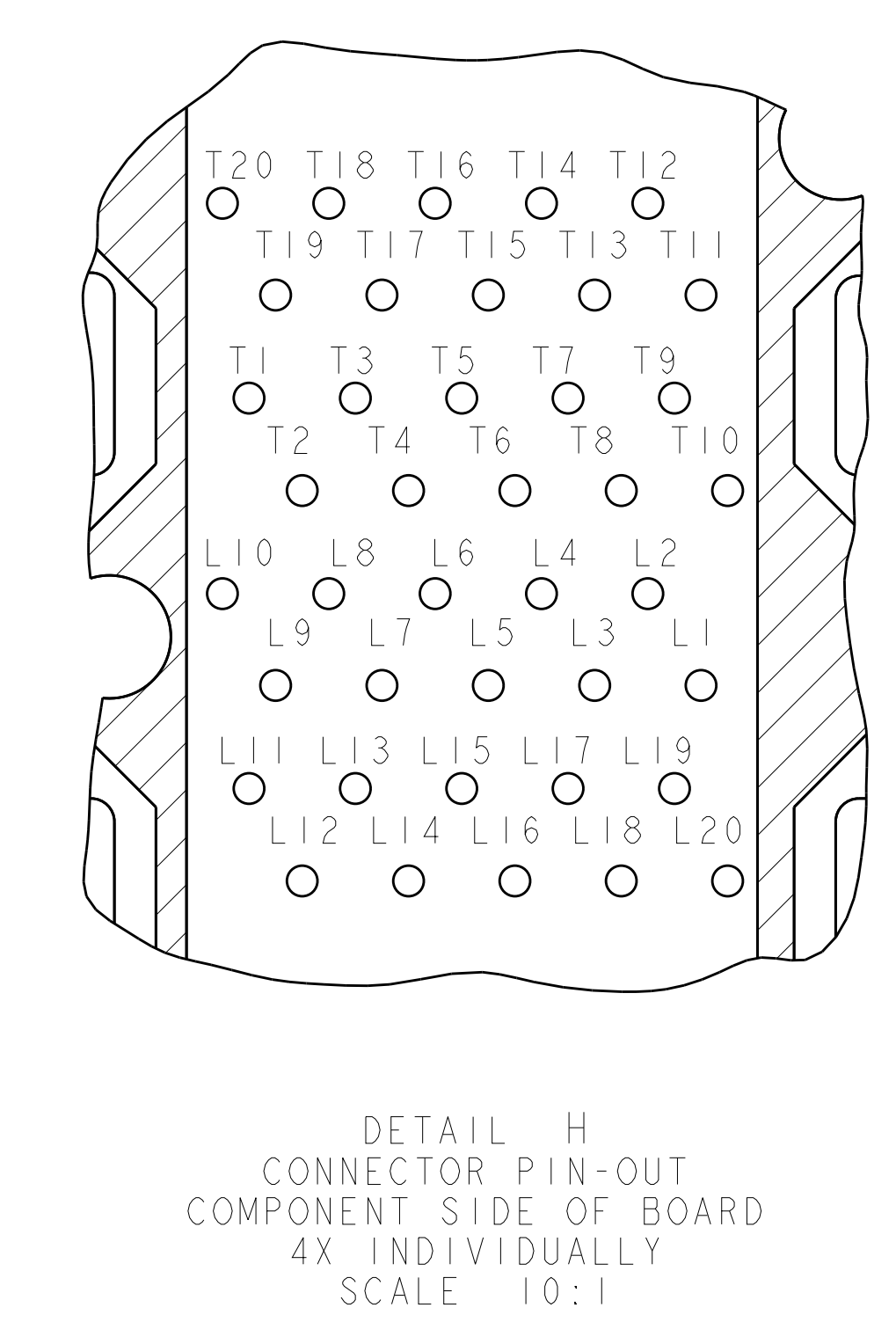
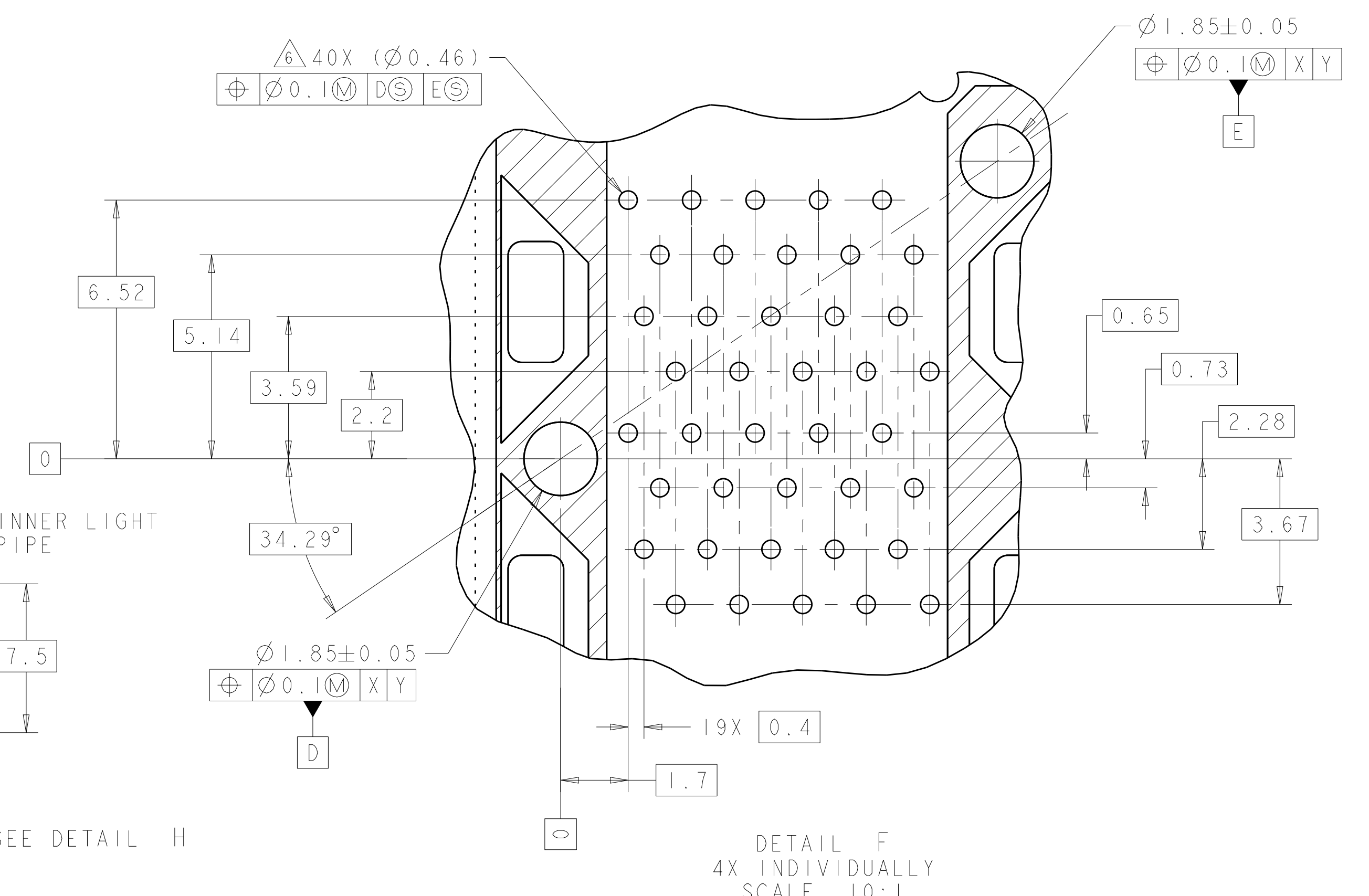
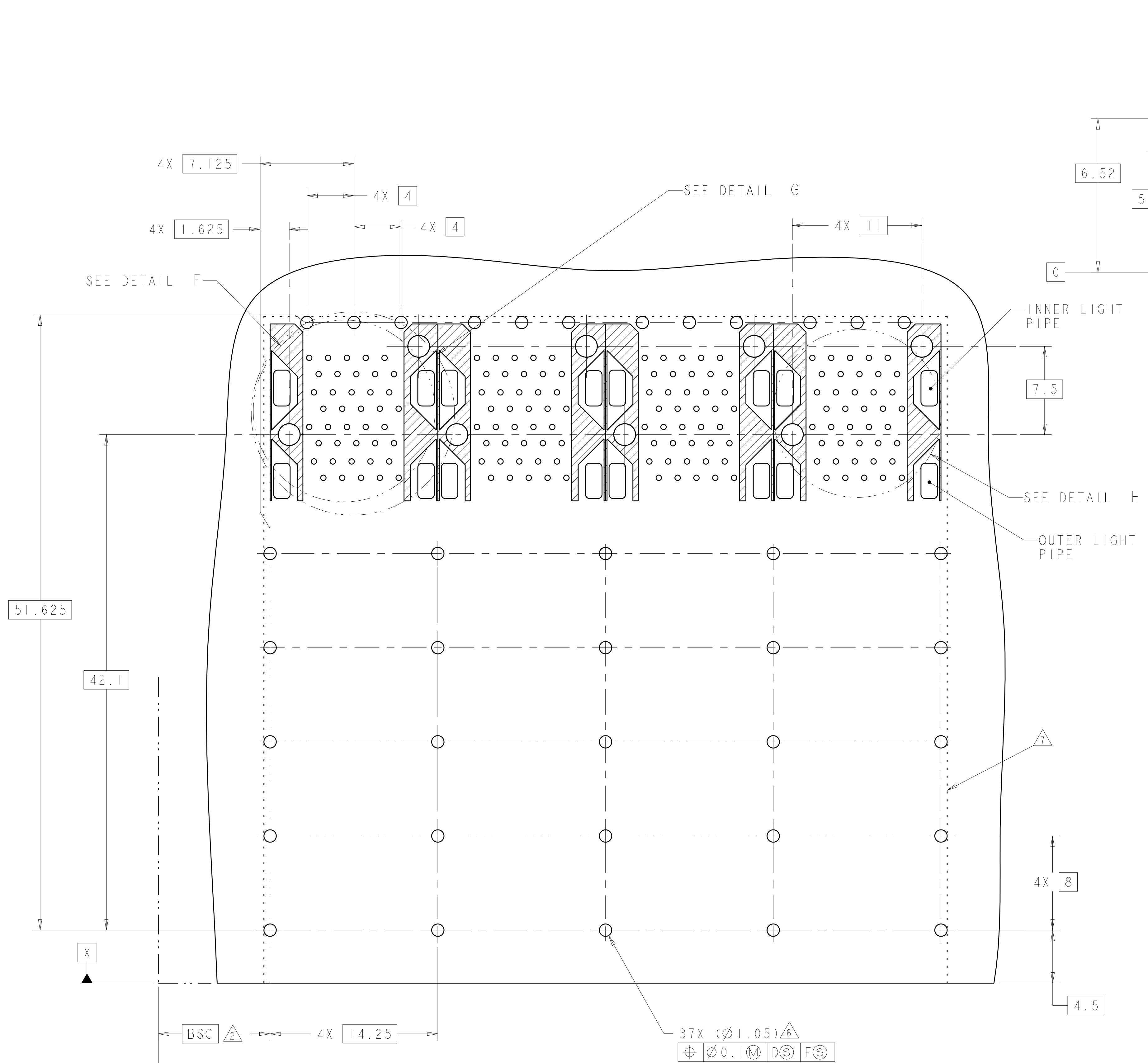
2007394-7 AND 1-2007394-7  
 SCALE 3:1



2007394-8 AND 1-2007394-8  
 SCALE 3:1

THIS DRAWING IS A CONTROLLED DOCUMENT. DIMENSIONING AND TOLERANCING PER ASME Y14.5M-2009		DMN: M. SHIRK 10OCT2007	TE Connectivity NAME: CAGE AND PT CONNECTOR ASSEMBLY, WITH EMI SPRINGS, PRESS FIT, 2X4, STACKED SFP+
DIMENSIONS: mm		CHK: D. SZCZESNY 10OCT2007	
TOLERANCES UNLESS OTHERWISE SPECIFIED:		APVD: D. SZCZESNY 10OCT2007	PRODUCT SPEC: 108-2331
0 PLC ±0.10		APPLICATION SPEC: 114-13219	SIZE: A100779C=2007394
1 PLC ±0.10		WEIGHT: -	RESTRICTED TO: -
2 PLC ±0.10		FINISH: -	SCALE: 4:1
3 PLC ±0.10			SHEET 2 OF 4
4 PLC ±0.10			REV: D1
ANGLES: ±°		CUSTOMER DRAWING	

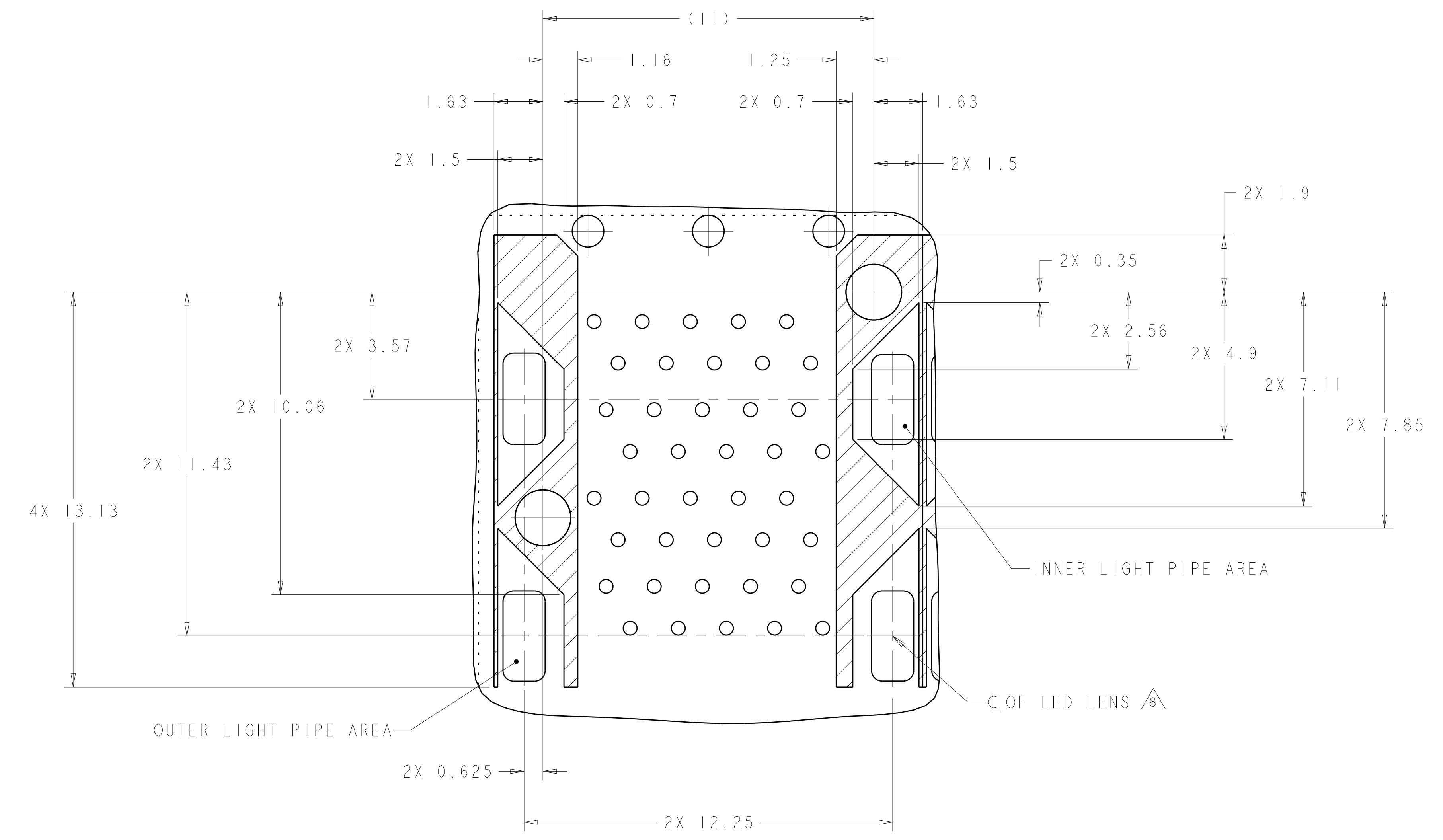
LOC	DIST	REV	DATE	APPV
		1		
		2		
		3		
		4		



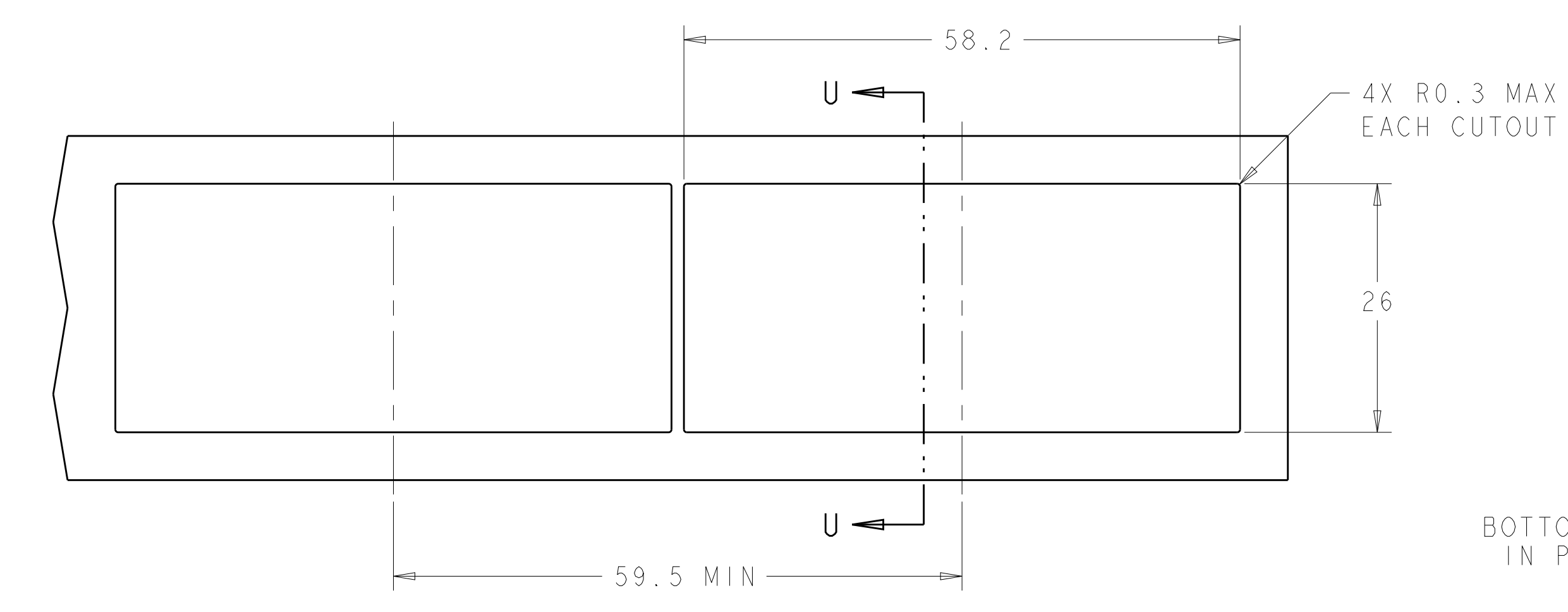
RECOMMENDED PCB LAYOUT  
 COMPONENT SIDE OF BOARD  
 SCALE 5:1

THIS DRAWING IS A CONTROLLED DOCUMENT. DIMENSIONING AND TOLERANCING PER: ASME Y14.5M-2009		OWN: M. SHIRK 10OCT2007 CHK: D. SZCZESNY 10OCT2007 APV: D. SZCZESNY 10OCT2007	TE Connectivity <b>NAME</b> CAGE AND PT CONNECTOR ASSEMBLY, WITH EMI SPRINGS, PRESS FIT, 2X4, STACKED SFP+ <b>SIZE</b> CAGE CODE DRAWING NO. RESTRICTED TO A100779C=2007394
<b>DIMENSIONS:</b> mm  <b>TOLERANCES UNLESS OTHERWISE SPECIFIED:</b> 0 PLC $\pm 0.10$ 1 PLC $\pm 0.10$ 2 PLC $\pm 0.10$ 3 PLC $\pm 0.10$ 4 PLC $\pm 0.10$ ANGLES $\pm$	<b>PRODUCT SPEC</b> 108-2331 <b>APPLICATION SPEC</b> 114-13219 <b>WEIGHT</b> CUSTOMER DRAWING	<b>SCALE</b> 4:1 <b>SHEET</b> 3 OF 4 <b>REV</b> D1	

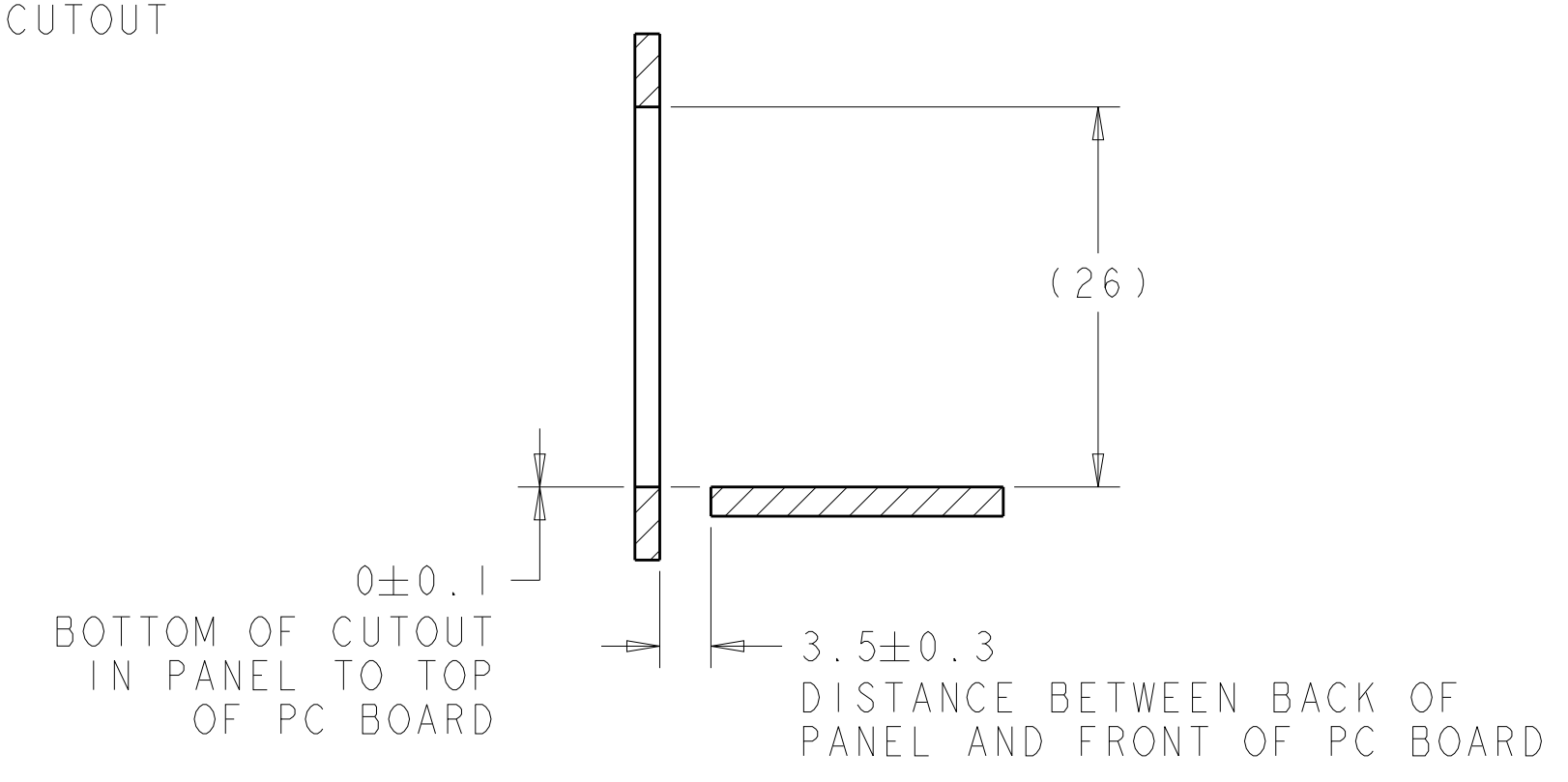
LOC	DIST	REV	DATE	BY	APPV
		1			
		2			
		3			
		4			



DETAIL G  
 CONNECTOR HOUSING  
 KEEP-OUT ZONE  
 4X INDIVIDUALLY  
 SCALE 10:1



RECOMMENDED PANEL CUTOUT  
 AND PC BOARD, PANEL POSITION  
 SCALE 2:1



SECTION U-U

THIS DRAWING IS A CONTROLLED DOCUMENT. DIMENSIONING AND TOLERANCING PER ASME Y14.5M-2009		DWN: M. SHIRK CHK: D. SZCZESNY APPV: D. SZCZESNY	10OCT2007 10OCT2007 10OCT2007	TE Connectivity
DIMENSIONS: mm		PRODUCT SPEC: 108-2331 APPLICATION SPEC: 114-13219 WEIGHT: -		
TOLERANCES UNLESS OTHERWISE SPECIFIED: 0 PLC ±0.10 1 PLC ±0.10 2 PLC ±0.10 3 PLC ±0.10 4 PLC ±0.10 ANGLES ±°		NAME: CAGE AND PT CONNECTOR ASSEMBLY, WITH EMI SPRINGS, PRESS FIT, 2X4, STACKED SFP+ SIZE: 114-13219 CAGE CODE: A100779 DRAWING NO: C=2007394		RESTRICTED TO
MATERIAL: FINISH:		CUSTOMER DRAWING		SCALE: 4:1 SHEET 4 OF 4 REV: D1