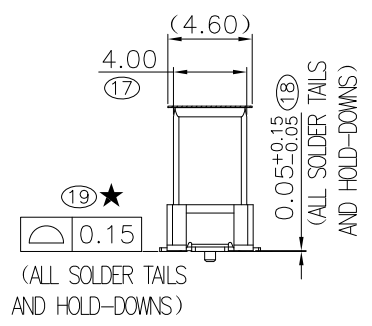
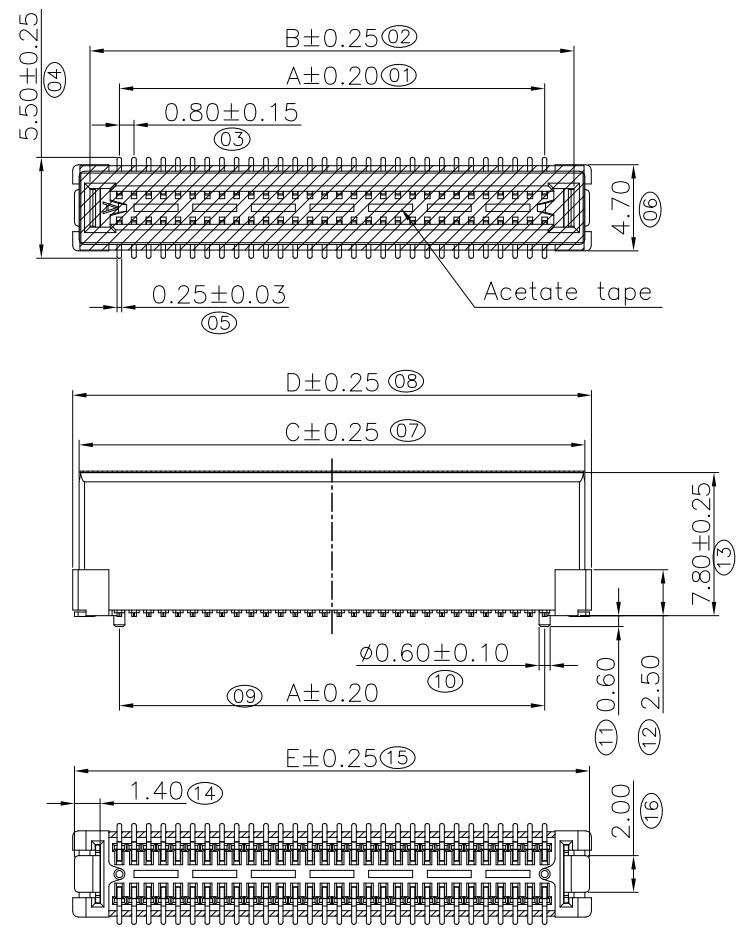


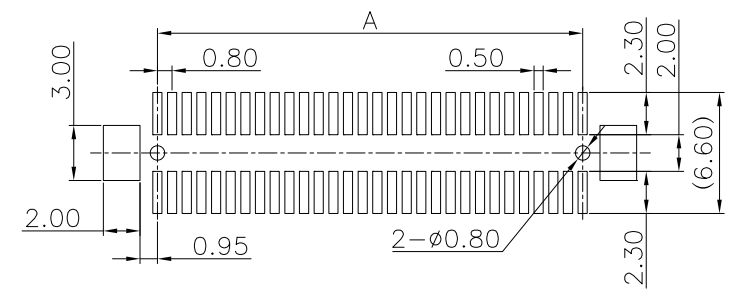
REV.	LOCAS.	DESCRIPTION	DATE	DRAWN
01	NEW	BATCH PRODUCTION INITIAL RELEASE.	2022.05.04	廖昌紅



Specifications
 Current Rating:0.5Amp
 Insulation Resistance:500MΩMin.
 Dielectric Withstanding Voltage:250VAC
 Contact Resistance:100mΩMax.
 Operating Temperature:-40°C to +105°C
 Materials
 Contact Material:Phosphor Bronze
 Insulator Material:High Temperature Thermoplastic, UL 94V-0 LCP or the equivalent material
 ☆All materials must meet GREENCONN hazardous substances control standards.
 "★": Critical Characteristics.
 indicates product characteristics, functionalities, and manufacturing processes regarding to customer's specifications
 "☆": Safety Features
 indicates product characteristics, functionalities, and manufacturing processes complying to legal regulations stated by local government

Pin NO.	A	B	C	D	E
2x30	23.20	26.40	27.60	28.30	28.10
2x40	31.20	34.40	35.60	36.30	36.10

Recommended P.C.Board Layout
 (Tolerance:±0.05)



Ordering Information

C GBC201 - XX XX B 001 C 1 N H

No. of Pins Per Row: 30,40
 Standard Plating: 02=Gold Flash, Selective Plating
 Color: 1=Black
 Standard Packing: H=Acetate tape +Tape&Reel
 09=3u"AU/Gold Flash

 Website:www.greenconn.com E-mail:sales@greenconn.com	3RD.ANG PROJ. 	GENERAL TOLERANCE		DESIGNED: 廖昌紅	DATE:2022.05.04	DWG. NO. CGBC201-CB1CN	TITLE. 0.80mm PITCH BTB FLOATING CONNECTOR
		.X*±5.0'	X.±0.30	CHECKED: 黄超	DATE:2022.05.04		
REV. 01	UNIT. mm	SCALE. 3:1	PAGE. 1/1	APPROVED: 邱國延	DATE:2022.05.04		