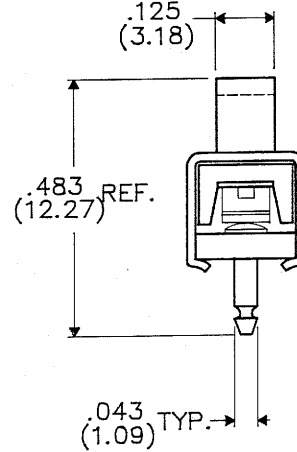
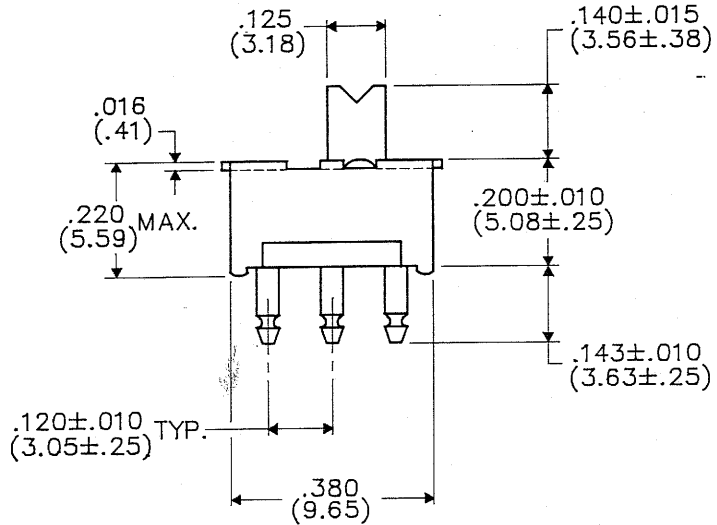
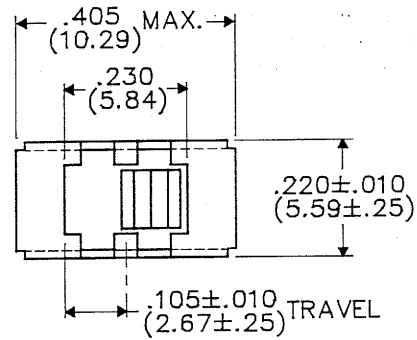


DIMENSIONS IN INCHES (MILLIMETERS)  
DO NOT SCALE DRAWING...

Drawing No. **GS-115-0033**



B-FORM-0

REVISIONS	0
	RELEASED MAM 7-12-90 PJK

(PDF File Made)	<b>CW INDUSTRIES</b> Southampton, Pa. 18966
	TOLERANCES UNLESS OTHERWISE SPECIFIED 2 Place decimal ±.010 METRIC 3 Place decimal ±.005 1 Place dec. ±.25 MM Angles . . . . . 1° 2 Place dec. ±.13 MM
	Made for: CW Ind.
	Drawn by: MAM 7-12-90
	Checked by: PJK 7-13-90 Approval: PJK 7-13-90

Title <b>ASSEMBLY DRAWING</b> <b>SWDGET JR.</b> <b>S.P. D.T.</b>
Division SWITCH
Drawing No. <b>GS-115-0033</b>