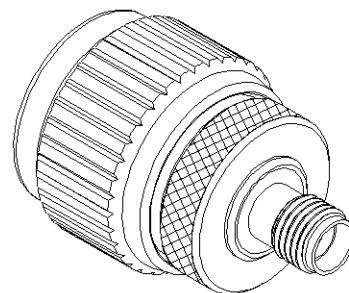
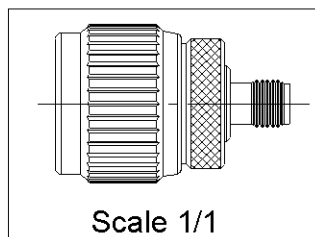
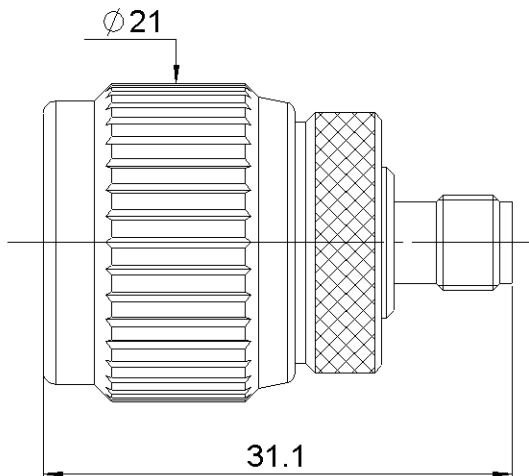
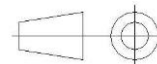


PAGE 1/2	ISSUE 07-12-16B	SERIES ADAPT	PART NUMBER R191329000
----------	-----------------	--------------	-------------------------------



All dimensions are in mm.



COMPONENTS	MATERIALS	PLATING (μm)
Body	BRASS.	NICKEL .
Center contact	BERYLLIUM COPPER	OR SUR SOUS COUCHE NICKEL
Outer contact	BRASS.	NICKEL .
Insulator	PTFE	
Gasket	SILICONE RUBBER	
Others parts	BRASS.	NICKEL .
SMA BODY	BERYLLIUM COPPER	NICKEL.
-	-	-

PAGE 2/2	ISSUE 07-12-16B	SERIES ADAPT	PART NUMBER R191329000
----------	-----------------	--------------	------------------------

PACKAGING

Standard	Unit	Other
1	-	Contact us

ELECTRICAL CHARACTERISTICS

Impedance		50	Ω
Frequency		0-11	GHz
VSWR	1.20	+	0,0000 x F(GHz) Maxi
Insertion loss		0.2	√F(GHz) dB Maxi
RF leakage	- (101	- F(GHz) dB Maxi
Voltage rating		500	Veff Maxi
Dielectric withstanding voltage		1500	Veff mini
Insulation resistance		5000	MΩ mini

ENVIRONMENTAL

Operating	-55/+155	°C
Hermetic seal	NA	Atm.cm3/s
Panel leakage	NA	

MECHANICAL CHARACTERISTICS

Center contact retention			
Axial force – Mating End		*18	N mini
Axial force – Opposite end		*18	N mini
Torque		NA	N.cm mini

SPECIFICATION

Recommended torque			
Mating	N	0	N.cm
	SMA	0	N.cm
	-	0	N.cm
Panel nut		NA	N.cm

OTHER CHARACTERISTICS

* out of SMA CDC.

Mating life	500	Cycles mini
Weight	32,8000	g