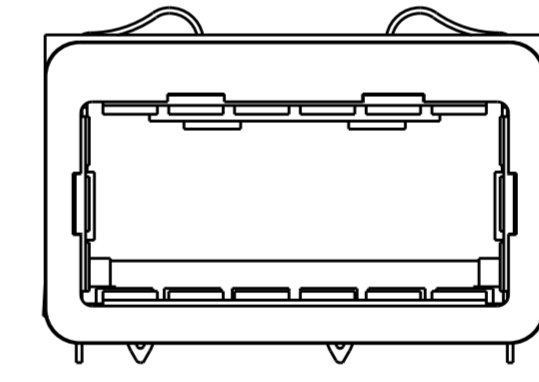
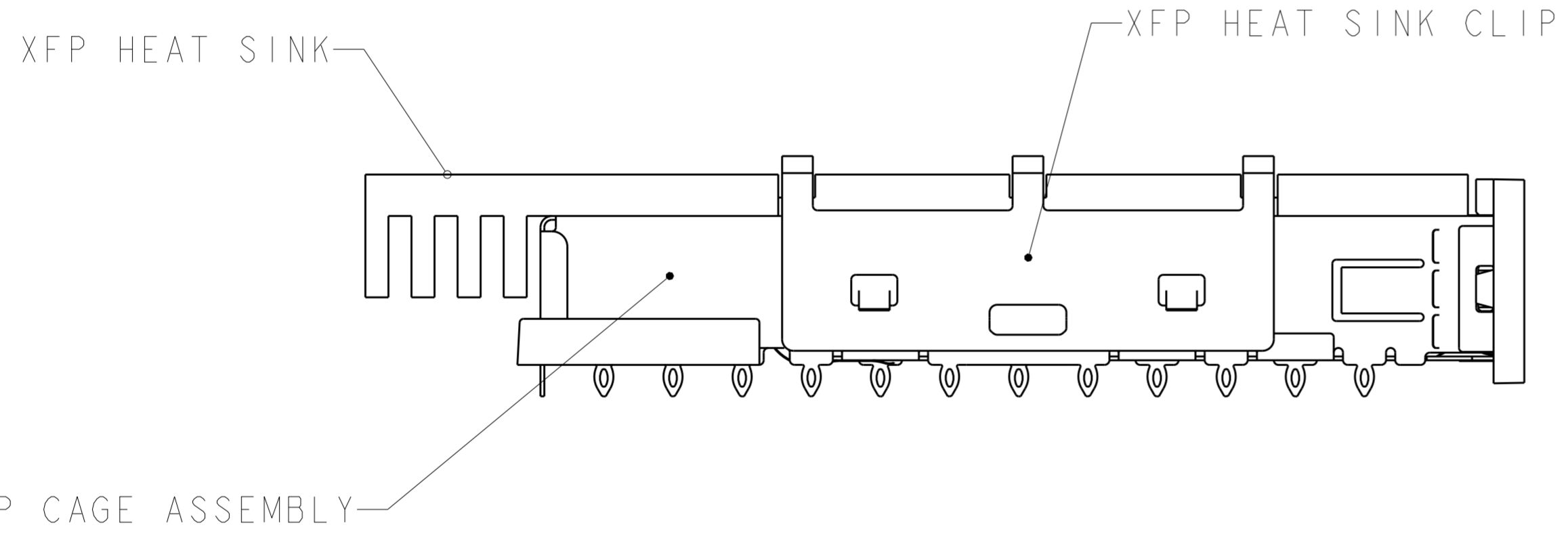
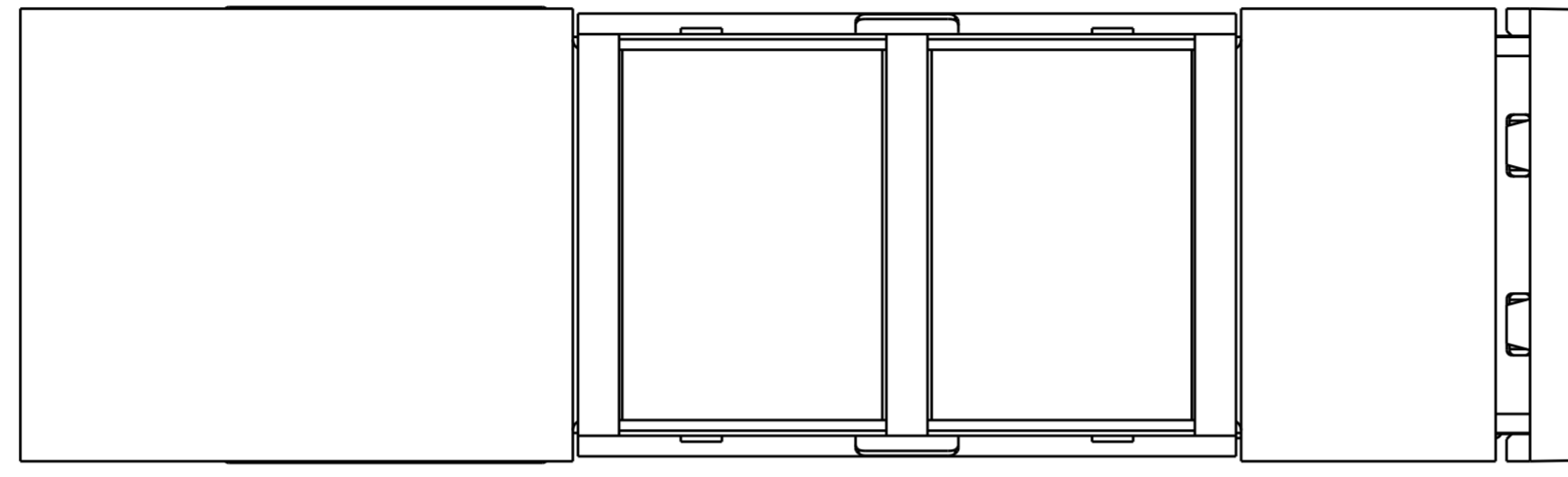


THIS DRAWING IS UNPUBLISHED. RELEASED FOR PUBLICATION 20
 © COPYRIGHT 20 BY - ALL RIGHTS RESERVED.

LOC	DIST	REVISIONS					
GP	00	P	LTR	DESCRIPTION	DATE	DWN	APVD
		A		MASS PRODUCTION	04NOV2016	PP	SH

1. MATES WITH XFP MSA COMPLIANT TRANSCEIVERS.
2. SEE COMPONENT DRAWINGS FOR COMPONENT DIMENSIONS AND INFORMATION.



2170043-1	1489948-2	1489951-3	2170044-1
HEATSINK PART NUMBER	HEATSINK CLIP PART NUMBER	CAGE PART NUMBER	PART NUMBER

THIS DRAWING IS A CONTROLLED DOCUMENT.		DWN KINSEN SUN 17 JAN 2011	TE Connectivity		
DIMENSIONS: mm		CHK MANQIAN WANG 17 JAN 2011			NAME XFP KIT ASSEMBLY
		APVD JINHUA CHEN 17 JAN 2011			PRODUCT SPEC 108-2127
TOLERANCES UNLESS OTHERWISE SPECIFIED:		APPLICATION SPEC 114-13096		SIZE A200779	
MATERIAL		WEIGHT		CAGE CODE C-2170044	
-		-		DRAWING NO C-2170044	
		CUSTOMER DRAWING		RESTRICTED TO -	
		SCALE		SHEET OF REV A	