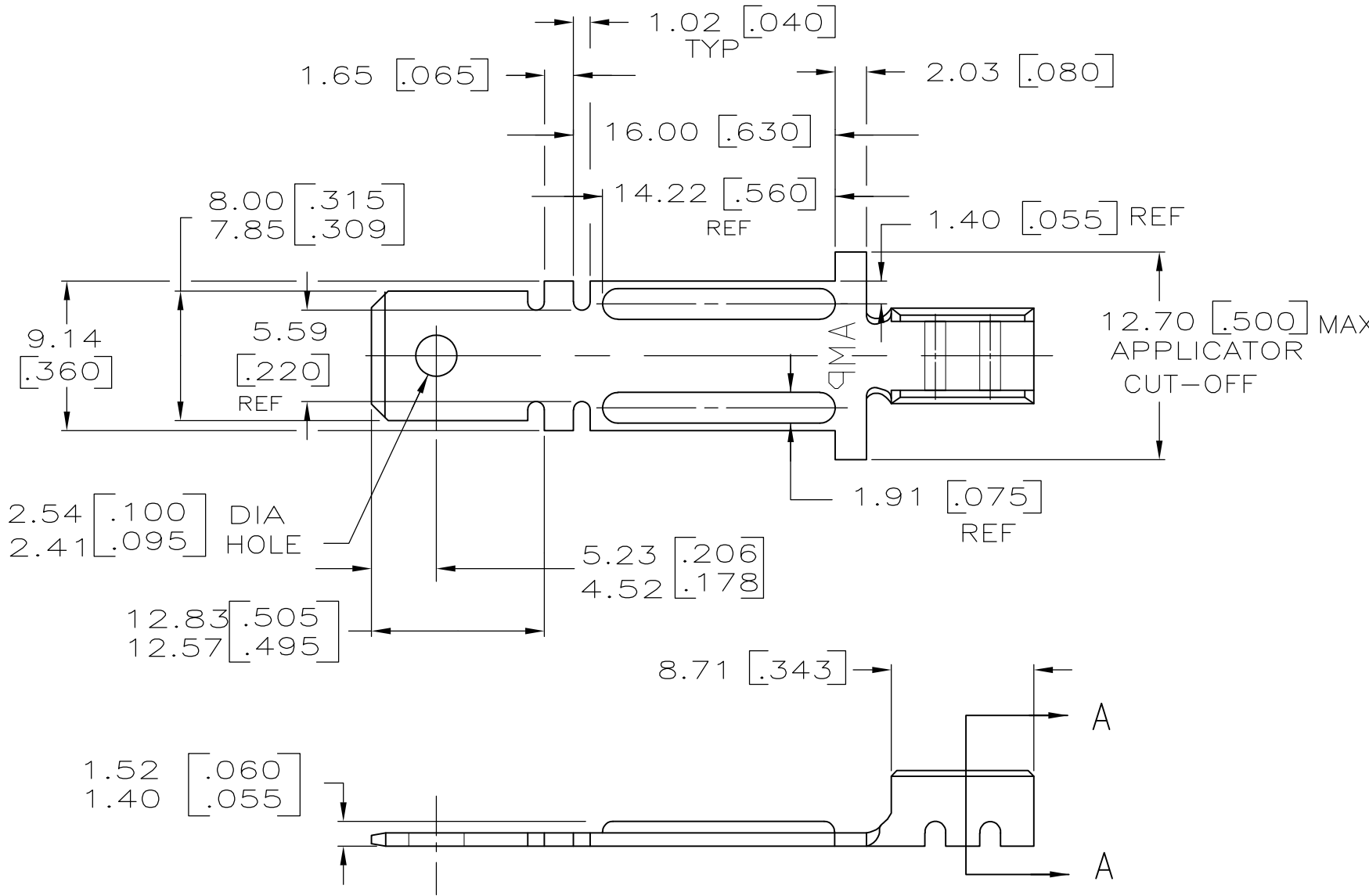
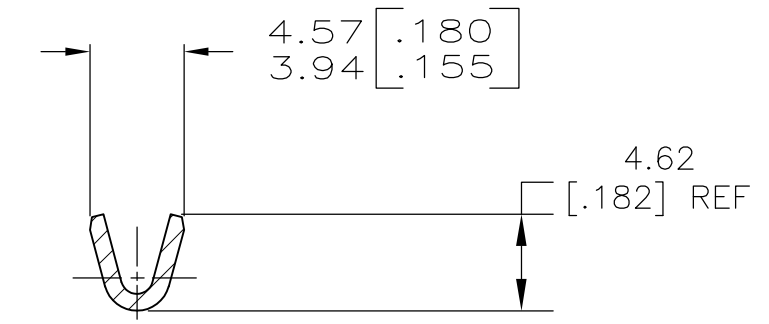


LOC	DIST	REVISIONS					
AF	50	P	LTR	DESCRIPTION	DATE	DWN	APVD
			A1	REVISED PER ECR-08-005757	07MAR08	HMR	KR



- 1 DIMENSIONS IN BRACKETS ARE IN INCHES.
- 2 CONTINUOUS STRIP ON REELS.
- 3 SEE SHEET 2 FOR SUGGESTED LOCKING IN CERAMIC.

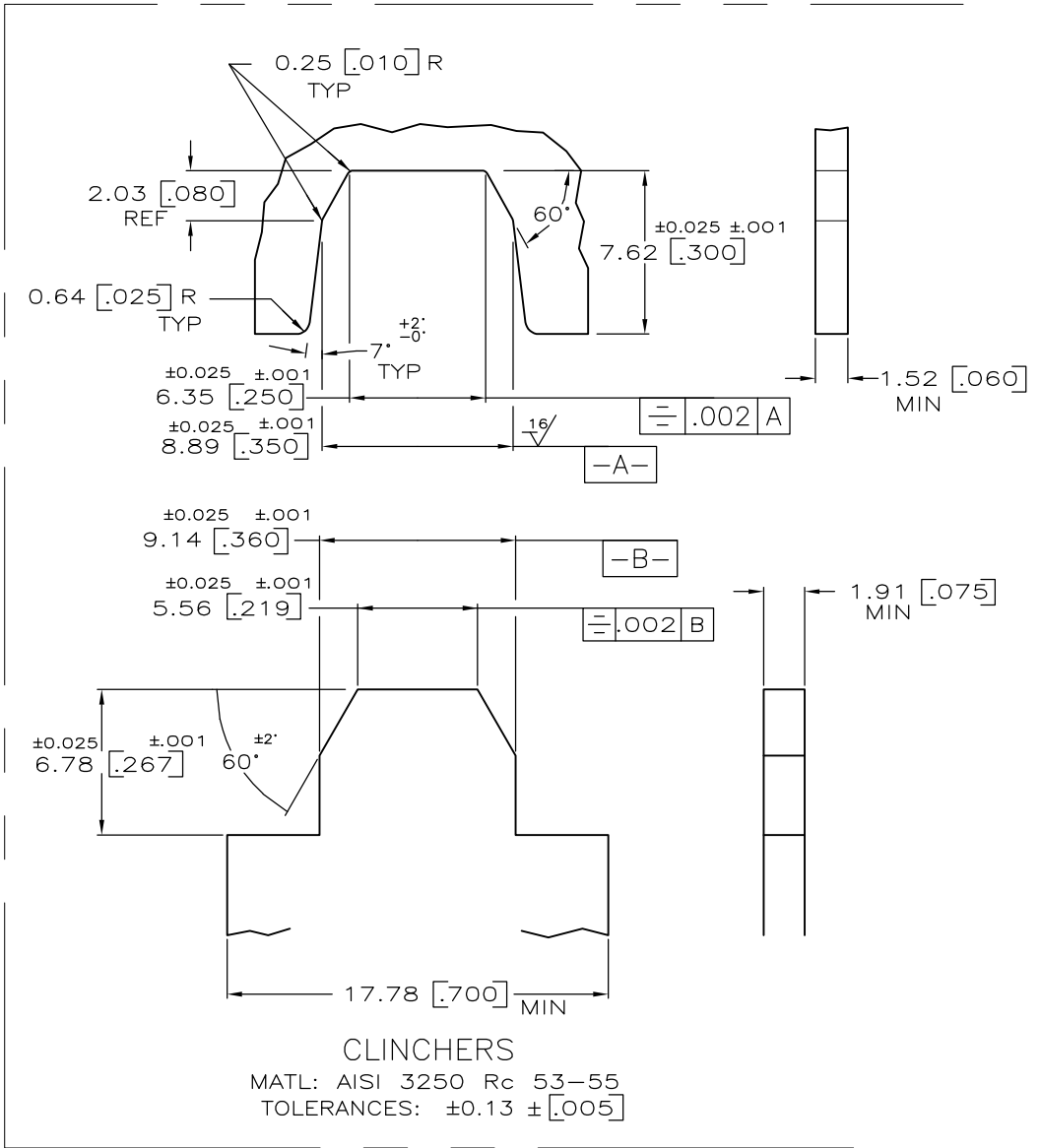
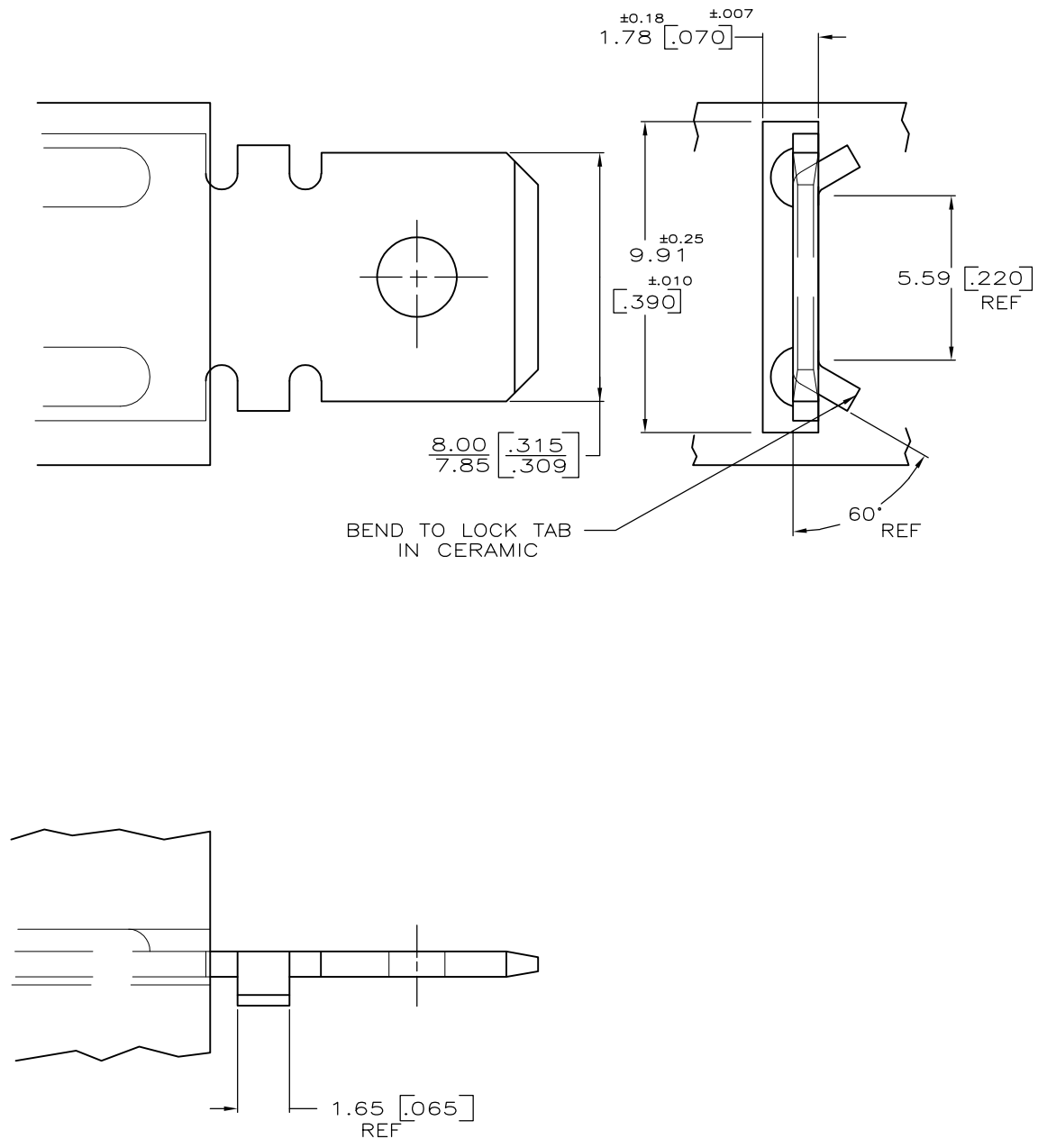


SECTION A-A

NICKEL	CR STEEL	[22-15] 0.30-1.45 MM DIA NI-CHROME	1742583-1
FINISH	MATERIAL	WIRE SIZE	PART NO.
THIS DRAWING IS A CONTROLLED DOCUMENT.		DWN M.S. FEHER 23APR2007	Tyco Electronics Corporation Harrisburg, PA 17105-3608
DIMENSIONS: mm [INCHES]		CHK J. KNOLL 23APR2007	
TOLERANCES UNLESS OTHERWISE SPECIFIED:		APVD J. KNOLL 23APR2007	NAME
0 PLC ± - 1 PLC ± - 2 PLC ± - 3 PLC ± 0.25 [.010] 4 PLC ± - ANGLES ± -		PRODUCT SPEC	TAB, FASTON, .312 SERIES
MATERIAL	FINISH	APPLICATION SPEC	RESTRICTED TO
SEE TABLE	SEE TABLE	114-2097	—
		WEIGHT	SIZE
		—	A3 00779
		CUSTOMER DRAWING	DRAWING NO
			C-1742583
		SCALE	SHEET
		3:1	1 OF 2
		REV	A1

THIS DRAWING IS UNPUBLISHED. RELEASED FOR PUBLICATION
 © COPYRIGHT BY TYCO ELECTRONICS CORPORATION. ALL RIGHTS RESERVED.

LOC	DIST	REVISIONS			
P	LTR	DESCRIPTION	DATE	DWN	APVD
AF	50	SEE SHEET 1	-	-	-



CLINCHERS
 MATL: AISI 3250 Rc 53-55
 TOLERANCES: ±0.13 ±[0.005]

THIS DRAWING IS A CONTROLLED DOCUMENT.		DWN M.S. FEHER 23APR2007	Tyco Electronics Tyco Electronics Corporation Harrisburg, PA 17105-3608	
DIMENSIONS: mm [INCHES]	TOLERANCES UNLESS OTHERWISE SPECIFIED:	CHK J. KNOLL 23APR2007	NAME	
	0 PLC ± -	APVD J. KNOLL 23APR2007	TAB, FASTON, .312 SERIES	
	1 PLC ± -	PRODUCT SPEC	SIZE	RESTRICTED TO
MATERIAL SEE SHEET1	FINISH SEE SHEET1	2 PLC ± -	CAGE CODE	DRAWING NO 1742583
		3 PLC ± 0.25 [0.010]	A300779	
		4 PLC ± -	SCALE	SHEET
		ANGLES ± -	5:1	2 OF 2
		WEIGHT	REV A1	
		CUSTOMER DRAWING		