



### DESCRIPTION

The MP5470 is a complete power management IC that integrates four high-efficiency, step-down, DC/DC converters and a flexible logic interface.

Constant-on-time (COT) control provides fast transient response. The programmable switching frequency (up to 1.6MHz) reduces the external inductor and capacitor size greatly. Full protection features include under-voltage lockout (UVLO), over-current protection (OCP), over-voltage protection (OVP), and thermal warning/shutdown.

The output voltage is adjustable through the I<sup>2</sup>C bus or can be preset by the three-time programmable multi-time programmable (MTP) e-Fuse. The power on/off sequence is also programmable by the MTP.

The MP5470 requires a minimal number of external components and is available in a space-saving QFN-22 (3mmx4mm) package.

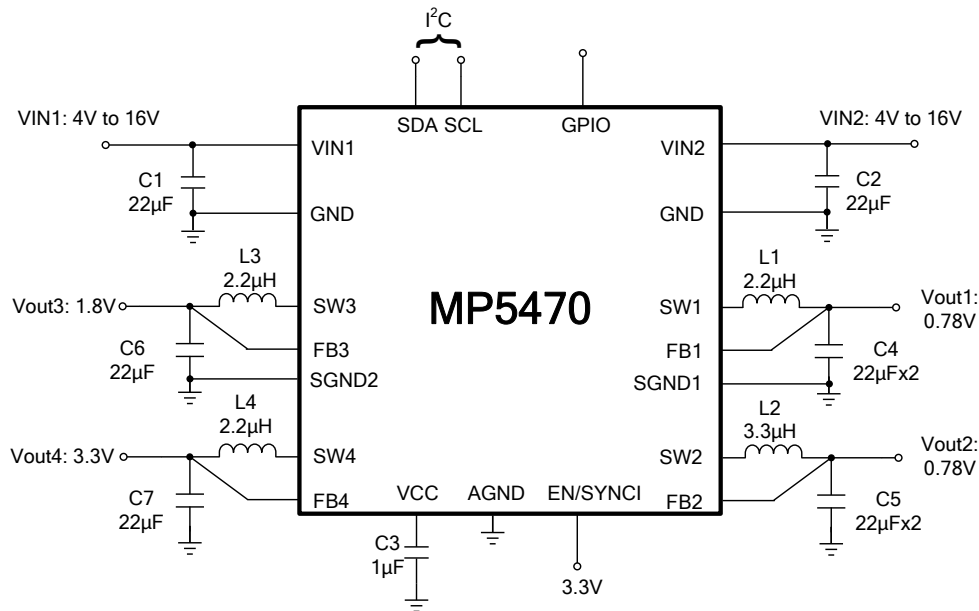
### FEATURES

- **Four High-Efficiency Buck Converters**
- Channel 1: 3A Maximum Output Current
- Channel 2: 3A Maximum Output Current
- Channel 3: 2A Maximum Output Current
- Channel 4: 2A Maximum Output Current
- Out-of-Phase Operation
- Wide 4V to 16V Operating Input Range
- Fast Load Transient Response
- Low R<sub>DS(ON)</sub> and High Efficiency
- Integrated Bootstrap Capacitor
- Adjustable Switching Frequency
- One GPIO Pin
- Power Good (PG) Indication
- I<sup>2</sup>C-Programmable Forced PWM or Auto PFM/PWM
- MTP Register Value
- Output Over-Current Protection (OCP)
- Output Over-Voltage Protection (OVP)
- **System**
- I<sup>2</sup>C Slave
- Flexible Power On/Off Sequence via MTP
- Flexible DC/DC On/Off Control via MTP
- Enable Pin (EN)

### APPLICATIONS

- Enterprise SSD
- NVDIMM
- DSLR
- FPGA-Based Design
- General 12V Power System

All MPS parts are lead-free, halogen-free, and adhere to the RoHS directive. For MPS green status, please visit the MPS website under Quality Assurance. "MPS", the MPS logo, and "Simple, Easy Solutions" are trademarks of Monolithic Power Systems, Inc. or its subsidiaries.

**TYPICAL APPLICATION**

**MTP E-FUSE SELECTION TABLE BY DEFAULT**

OTP Items	Buck 1	Buck 2	Buck 3	Buck 4
Output voltage	0.78V	0.78V	1.8V	3.3V
Initial on/off	On	On	On	On
Mode	PFM	PFM	PFM	PFM
Soft-start delay/time slot #	2ms/2	2ms/2	2ms/2	2ms/2
Soft-start time (0-100% Vo)	3.1ms	4.7ms	4.5ms	6.6ms
Valley current limit	4.2A	4.2A	3A	3A
Initial phase delay	0°	90°	180°	270°
Additional phase delay	0ns	0ns	0ns	0ns
Buck output discharge EN	Enabled	Enabled	Enabled	Enabled
Buck output limit EN	Enabled	Enabled	Enabled	Disabled
Buck parallel mode operation	Unparalleled		Unparalleled	
Switching frequency	800kHz			
VIN UVLO rising	5.8V			
GPIO	ADD			
Shutdown delay EN	Disabled			
PG delay time	0.2ms			
Software initial I <sup>2</sup> C slave address	0x68			
MTP configure code	0x00			
MTP revision number	0x00			

## ORDERING INFORMATION

Part Number*	Package	Top Marking
MP5470GL-xxxx**	QFN-22 (3mmx4mm)	See Below
MP5470GL-0000	QFN-22 (3mmx4mm)	See Below
EVKT-MP5470	Evaluation Kit	

\* For Tape & Reel, add suffix -Z (e.g. MP5470GL-XXXX-Z).

\*\* "xxxx" is the configuration code identifier for the register setting stored in the MTP.

The default number is "0000". Each "x" can be a hexadecimal value between 0 and F. Please work with an MPS FAE to create this unique number, even if ordering the "0000" code. MP5470GL-0000 is the default version.

## TOP MARKING

MPYW

5470

LLL

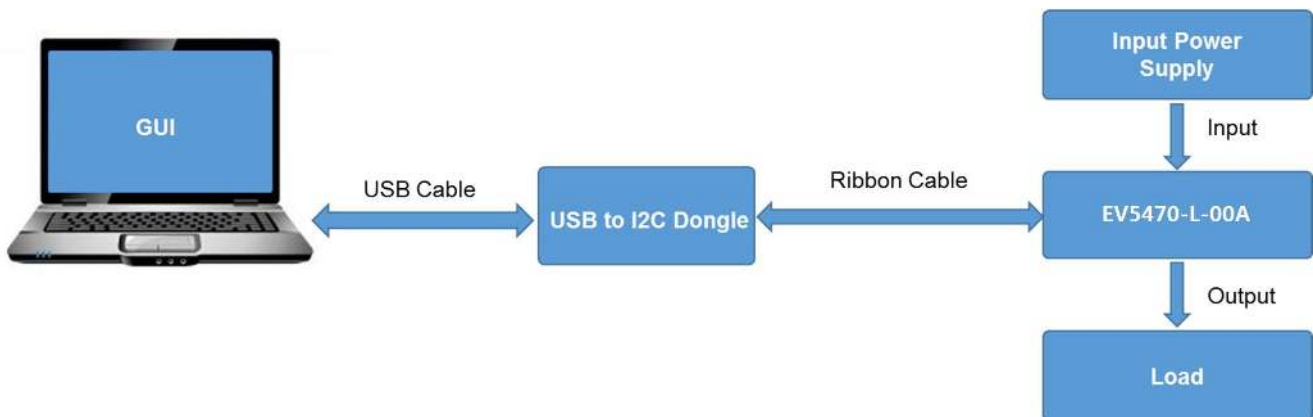
MP: MPS prefix  
 Y: Year code  
 W: Week code  
 5470: First four digits of the part number  
 LLL: Lot number

## EVALUATION KIT EVKT-MP5470

EVKT-MP5470 Kit contents: (Items below can be ordered separately).

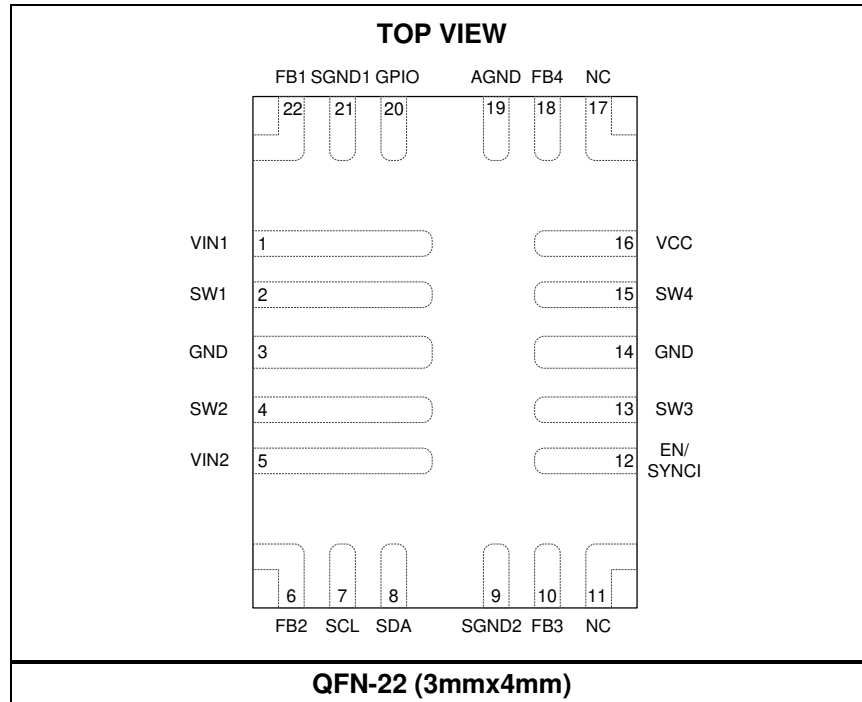
#	Part Number	Item	Quantity
1	EV5470-L-00A	MP5470GL evaluation board	1
2	EVKT-USBI2C-02-BAG	Includes one USB to I <sup>2</sup> C dongle, one USB cable, and one ribbon cable	1
3	MP5470GL-0000	MP5470 IC which can be used for MTP programming	2

**Order direct from [MonolithicPower.com](http://MonolithicPower.com) or our distributors.**



**EVKT-MP5470 Evaluation Kit Set-Up**

## PACKAGE REFERENCE



## PIN FUNCTIONS

Package Pin #	Name	Description
1	VIN1	<b>Supply voltage input of buck 1 and buck 4.</b> The MP5470 operates from a 4V to 16V input rail. Use a ceramic capacitor to decouple the input rail. Connect VIN1 using a wide PCB trace. VIN1 and VIN2 should be connected together.
2	SW1	<b>Buck1 switch output.</b> Connect SW1 using a wide PCB trace.
3, 14	GND	<b>Power ground.</b> GND requires special consideration during the PCB layout. Connect GND with copper traces and vias.
4	SW2	<b>Buck 2 switch output.</b> Connect SW2 using a wide PCB trace.
5	VIN2	<b>Supply voltage input of buck 2 and buck 3.</b> The MP5470 operates from a 4V to 16V input rail. Use a ceramic capacitor to decouple the input rail. Connect VIN2 using a wide PCB trace. VIN1 and VIN2 should be connected together.
6	FB2	<b>Feedback of buck 2.</b> Connect buck 2's output to FB2 directly or through a feedback resistor divider.
7	SCL	<b>I<sup>2</sup>C clock signal input.</b>
8	SDA	<b>I<sup>2</sup>C data.</b>
9	SGND2	<b>Remote sense ground of buck 3 and buck 4.</b> Kelvin-connect SGND2 to buck 3 and buck 4's output capacitor's ground node.
10	FB3	<b>Feedback of buck 3.</b> Connect buck 3's output to FB3 directly or through a feedback resistor divider.
11, 17	NC	<b>No connection.</b>
12	EN/SYNCI	<b>Enable control pin.</b> Pull EN/SYNCI to logic high to enable the MP5470. Pull EN/SYNCI to logic low to disable the MP5470. EN has a 2MΩ internal pull-down resistor. Apply a clock on EN/SYNCI to synchronize the switching frequency to the external clock.

**PIN FUNCTIONS**

Package Pin #	Name	Description
13	SW3	<b>Buck 3 switch output.</b> Connect SW3 using a wide PCB trace.
15	SW4	<b>Buck 4 switch output.</b> Connect SW4 using a wide PCB trace.
16	VCC	<b>Internal 3.3V LDO output.</b> The driver and control circuits are powered from the VCC voltage. Decouple VCC with a 1μF ceramic capacitor placed as close to VCC as possible. X7R or X5R grade dielectric ceramic capacitors are recommended for their stable temperature characteristics.
18	FB4	<b>Feedback of buck 4.</b> Connect buck 4's output to FB4 directly or through a feedback resistor divider.
19	AGND	<b>Analog ground.</b> Connect AGND to GND.
20	GPIO	<p><b>General pin input/output.</b> When the MTP/I<sup>2</sup>C configures GPIO as ADD, this pin can program four different I<sup>2</sup>C slave addresses.</p> <p>When the MTP/I<sup>2</sup>C configures GPIO as PG, this pin is the power good output. PG is an open drain. Pull PG low when any enabled regulator falls below the under-voltage (UV) threshold. Pull PG low when all regulators are disabled.</p> <p>When the MTP/I<sup>2</sup>C configures GPIO as the Output Port, this pin outputs high/low logics determined by a related register. Output Port is an open-drain structure.</p> <p>When the MTP/I<sup>2</sup>C configures GPIO as SYNC Output, this pin has a synchronous output. SYNC Out has a phase-shifted clock output to synchronize another device's switching frequency.</p>
21	SGND1	<b>Remote sense ground of buck 1 and buck 2.</b> Kelvin-connect SGND2 to buck 1 and buck 2's output capacitor's ground node.
22	FB1	<b>Feedback of buck 1.</b> Connect buck 1's output to FB1 directly or through a feedback resistor divider.

**ABSOLUTE MAXIMUM RATINGS** <sup>(1)</sup>

V <sub>VIN1</sub> , V <sub>VIN2</sub> .....	-0.3V to 18V
V <sub>SWx</sub> .....	-0.6V (-7V for <10ns) to V <sub>INx</sub> + 0.3V (22V for <10ns)
EN/SYNCl, FBx .....	-0.3V to 6V <sup>(2)</sup>
GPIO, VCC, SCL, SDA.....	-0.3V to 4V
Continuous power dissipation (T <sub>A</sub> = +25°C) <sup>(3)</sup>	4.31W
Junction temperature .....	150°C
Lead temperature .....	260°C
Storage temperature.....	-65°C to 150°C

**Recommended Operating Conditions** <sup>(4)</sup>

Step-down regulator (V <sub>IN</sub> ) .....	4V to 16V
Step-down regulator (V <sub>OUT</sub> ).....	0.55V to 7V or V <sub>IN</sub> * D <sub>MAX</sub>
Operating junction temp. (T <sub>J</sub> )...	-40°C to +125°C

**Thermal Resistance**
**θ<sub>JA</sub> θ<sub>JC</sub>**

QFN-22 (3mmx4mm)		
EV5470-L-00A <sup>(5)</sup> .....	29.....	4 ..... °C/W
JESD51-7 <sup>(6)</sup> .....	50.....	12 .... °C/W

**NOTES:**

- Exceeding these ratings may damage the device.
- For EN/SYNCl's rating, refer to the EN/SYNCl section on page 15.
- The maximum allowable power dissipation is a function of the maximum junction temperature T<sub>J</sub> (MAX), the junction-to-ambient thermal resistance θ<sub>JA</sub>, and the ambient temperature T<sub>A</sub>. The maximum allowable continuous power dissipation at any ambient temperature is calculated by P<sub>D</sub> (MAX) = (T<sub>J</sub> (MAX)-T<sub>A</sub>)/θ<sub>JA</sub>. Exceeding the maximum allowable power dissipation produces an excessive die temperature, causing the regulator to go into thermal shutdown. Internal thermal shutdown circuitry protects the device from permanent damage.
- The device is not guaranteed to function outside of its operating conditions.
- Measured on EV5470-L-00A, 4-layer PCB.
- The value of θ<sub>JA</sub> given in this table is only valid for comparison with other packages and cannot be used for design purposes. These values were calculated in accordance with JESD51-7 and simulated on a specified JEDEC board. They do not represent the performance obtained in an actual application.

**ELECTRICAL CHARACTERISTICS**
**V<sub>IN1</sub> = V<sub>IN2</sub> = 12V, T<sub>J</sub> = -40°C to 125°C <sup>(7)</sup>, unless otherwise noted.**

Parameter	Symbol	Condition	Min	Typ	Max	Units
Supply current (no switching)	I <sub>IN</sub>	No switching, FB high, PFM		1500	2500	μA
Shutdown current	I <sub>IN_STD</sub>	I <sup>2</sup> C, VCC, and MTP are active		70	140	μA
Default oscillation frequency	f <sub>SW</sub>		-15%	800	+15%	kHz
EN rising threshold	V <sub>EN_R</sub>		-2.5%	1.21	+2.5%	V
EN hysteresis	V <sub>EN_F</sub>			150		mV
EN input current	I <sub>EN</sub>	V <sub>EN</sub> = 2V		1		μA
Frequency SYNC input range <sup>(8)</sup>	f <sub>SYNCl</sub>		500		1600	kHz
PG UV rising	V <sub>PG_UV_R</sub>		88%	92%	96%	V <sub>ref</sub>
PG UV falling	V <sub>PG_UV_F</sub>			87%		V <sub>ref</sub>
PG rise delay <sup>(9)</sup>	t <sub>PG_R_DLY</sub>	MTP adjustable		200		μs
PG falling delay <sup>(9)</sup>	t <sub>PG_F_DLY</sub>			50		μs
Power good, output port sink current capability	V <sub>PG_Sink</sub>	Sink 1mA			0.4	V
ADD pin voltage threshold 1	V <sub>ADD_1</sub>	To set I <sup>2</sup> C address 1			20%	VCC
ADD pin voltage threshold 2	V <sub>ADD_2</sub>	To set I <sup>2</sup> C address 2	33%		45%	VCC
ADD pin voltage threshold 3	V <sub>ADD_3</sub>	To set I <sup>2</sup> C address 3	56%		71%	VCC
ADD pin voltage threshold 4	V <sub>ADD_4</sub>	To set I <sup>2</sup> C address 4	80%			VCC
ADD pin input current	I <sub>ADD</sub>	V <sub>ADD</sub> = 2V		0		μA
Frequency sync output range	f <sub>SYNCO</sub>	Open drain	500		1600	kHz
Frequency sync output duty	D <sub>SYNCO</sub>	2.2kΩ resistor pulled up to VCC		50		%
VCC UVLO rising	V <sub>CC_R</sub>		2.8	3.0	3.2	V
VCC UVLO hysteresis	V <sub>CC_HYS</sub>			100		mV
VCC voltage	V <sub>CC</sub>	I <sub>CC</sub> = 0mA	3.1	3.3	3.5	V
VCC voltage regulation	V <sub>CC_RG</sub>	I <sub>CC</sub> = 0 - 25mA		1		%
Thermal shutdown <sup>(9)</sup>	T <sub>OTP_R</sub>			160		°C
Thermal hysteresis <sup>(9)</sup>	T <sub>Hys</sub>			20		°C
<b>Step-Down Regulator</b>						
VIN1 UVLO rising	V <sub>IN1_R</sub>	Adjustable by MTP	5.6	5.8	6.0	V
VIN1 UVLO hysteresis	V <sub>IN1_HYS</sub>			800		mV
VIN2 UVLO rising	V <sub>IN2_R</sub>		5.6	5.8	6.0	V
VIN2 UVLO hysteresis	V <sub>IN2_HYS</sub>			800		mV
Feedback voltage accuracy	V <sub>FB1</sub>		-1.5%	0.78	+1.5%	V
	V <sub>FB2</sub>		-1.5%	0.78	+1.5%	V
	V <sub>FB3</sub>		-1.5%	1.8	+1.5%	V
	V <sub>FB4</sub>		-1.5%	3.3	+1.5%	V

**ELECTRICAL CHARACTERISTICS (continued)**
 $V_{IN1} = V_{IN2} = 12V$ ,  $T_J = -40^{\circ}C$  to  $125^{\circ}C$  <sup>(7)</sup>, unless otherwise noted.

Parameter	Symbol	Condition	Min	Typ	Max	Units
<b>Buck 1, Buck 2 (3A DC/DC)</b>						
HS switch on resistance <sup>(9)</sup>	HS <sub>RON1</sub>			58		mΩ
LS switch on resistance	LS <sub>RON1</sub>			25		mΩ
Low-side current limit (source)	I <sub>LS_Valley1</sub>		3.2	4.2	5.2	A
Low-side current limit (sink)	I <sub>CL_PWM1</sub>			-2		A
Minimum on time <sup>(9)</sup>	t <sub>ON_MIN1</sub>			33		ns
Minimum off time <sup>(9)</sup>	t <sub>OFF_MIN1</sub>			113		ns
Output OVP rising threshold	V <sub>OVP1_H</sub>		115%	120%	125%	V <sub>REF</sub>
Output OVP recovery threshold	V <sub>OVP1_L</sub>			114%		V <sub>REF</sub>
Output discharge resistor <sup>(9)</sup>	R <sub>SW1/R<sub>SW2</sub></sub>			45		Ω
Soft-start time of buck 1	t <sub>SS_B1</sub>	V <sub>OUT</sub> = 10 - 90%		2.3		ms
Soft-start time of buck 2	t <sub>SS_B2</sub>	V <sub>OUT</sub> = 10 - 90%		3.5		ms
<b>Buck 3, Buck 4 (2A DC/DC)</b>						
HS switch on resistance <sup>(9)</sup>	HS <sub>RON2</sub>			70		mΩ
LS switch on resistance	LS <sub>RON2</sub>			50		mΩ
Low-side current limit (source)	I <sub>LS_Valley2</sub>	Valley limit during OCP	2	3	4	A
Low-side current limit (sink)	I <sub>CL_PWM2</sub>	Forced PWM mode, OVP, discharge		-1.5		A
Minimum on time <sup>(9)</sup>	t <sub>ON_MIN2</sub>			31		ns
Minimum off time <sup>(9)</sup>	t <sub>OFF_MIN2</sub>			133		ns
Output OVP rising threshold	V <sub>OVP2_H</sub>		115%	120%	125%	V <sub>REF</sub>
Output OVP recovery threshold	V <sub>OVP2_L</sub>			114%		V <sub>REF</sub>
Output discharge resistor <sup>(9)</sup>	R <sub>SW3/R<sub>SW4</sub></sub>			45		Ω
Soft-start time of buck 3	t <sub>SS_B3</sub>	V <sub>OUT</sub> = 10 - 90%		3.4		ms
Soft-start time of buck 4	t <sub>SS_B4</sub>	V <sub>OUT</sub> = 10 - 90%		5		ms
<b>I<sup>2</sup>C Interface Specifications <sup>(10)</sup></b>						
Input logic high	V <sub>IH</sub>		1.4			V
Input logic low	V <sub>IL</sub>				0.4	V
Output voltage logic low	V <sub>OUT_L</sub>	Sink 4mA			0.4	V
SCL clock frequency	f <sub>SCL</sub>				3.4	MHz
SCL high time	t <sub>HIGH</sub>		60			ns
SCL low time	t <sub>LOW</sub>		200			ns
Data set-up time	t <sub>SU.DAT</sub>		10			ns
Data hold time	t <sub>HD.DAT</sub>			70		ns

**ELECTRICAL CHARACTERISTICS** *(continued)*
 $V_{IN1} = V_{IN2} = 12V$ ,  $T_J = -40^{\circ}C$  to  $125^{\circ}C$  <sup>(7)</sup>, unless otherwise noted.

Parameter	Symbol	Condition	Min	Typ	Max	Units
Set-up time for repeated start	$t_{SU.STA}$		160			ns
Hold time for (repeated) start	$t_{HD.STA}$		160			ns
Bus free time between a start and a stop condition	$t_{BUF}$		160			ns
Set-up time for stop condition	$T_{SU.STO}$		160			ns
Rise time of SCL and SDA	$t_R$		10		300	ns
Fall time of SCL and SDA	$t_F$		10		300	ns
Pulse width of suppressed spike	$t_{SP}$		0		50	ns
Capacitance bus for each bus line	$C_B$				400	pF

**NOTES:**

- 7) Not tested in production, guaranteed by over-temperature correlation.
- 8) This function has limitations—only a SYNC IN close to the current system switching frequency can be used.
- 9) Guaranteed by engineering sample characterization.
- 10) The maximum I<sup>2</sup>C bus voltage should be lower than 4V. A typical bus voltage of 1.8V or 3.3V is recommended.



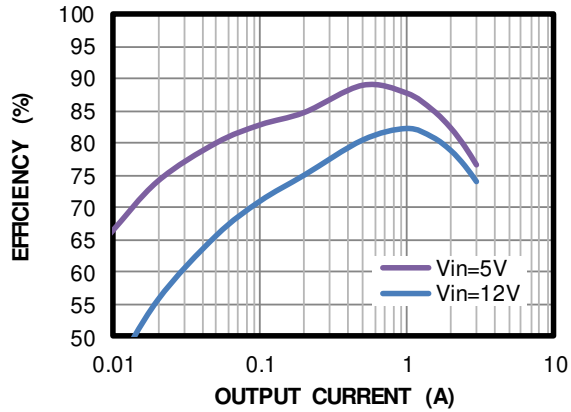
## TYPICAL CHARACTERISTICS

Performance waveforms are tested on the evaluation board.

VIN1 = VIN2 = 12V, T<sub>A</sub> = 25°C, buck 1 to buck 4 output 0.6V/1V/5V/1.8V, switching frequency 800kHz, unless otherwise noted.

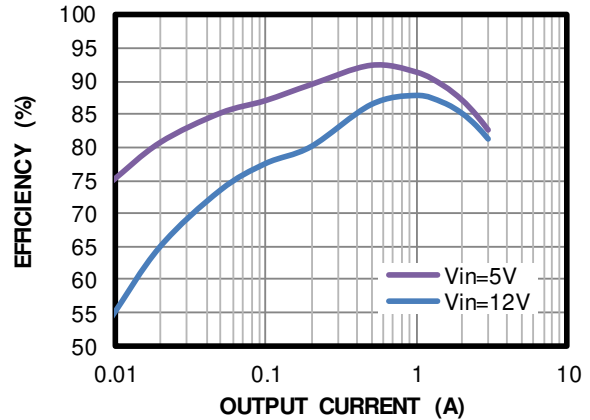
### Efficiency, V<sub>OUT</sub> = 0.6V

Buck 1 works in auto PFM/PWM mode



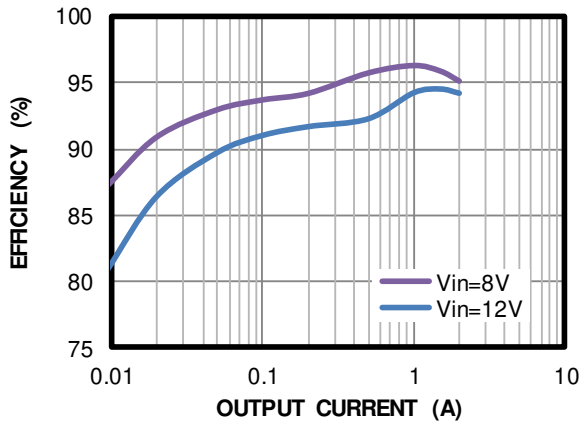
### Efficiency, V<sub>OUT</sub> = 1V

Buck 2 works in auto PFM/PWM mode



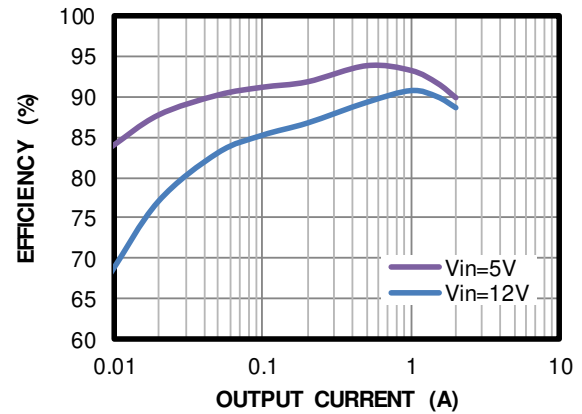
### Efficiency, V<sub>OUT</sub> = 5V

Buck 3 works in auto PFM/PWM mode



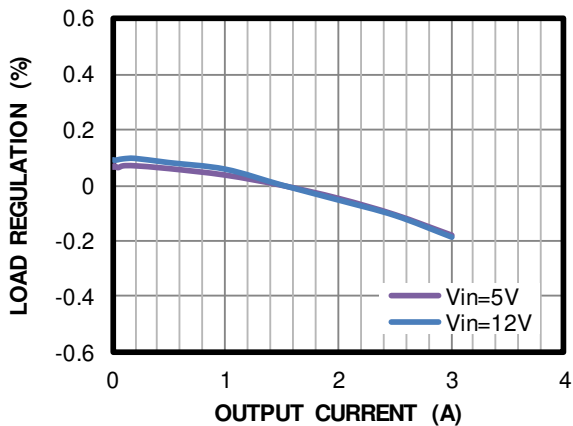
### Efficiency, V<sub>OUT</sub> = 1.8V

Buck 4 works in auto PFM/PWM mode



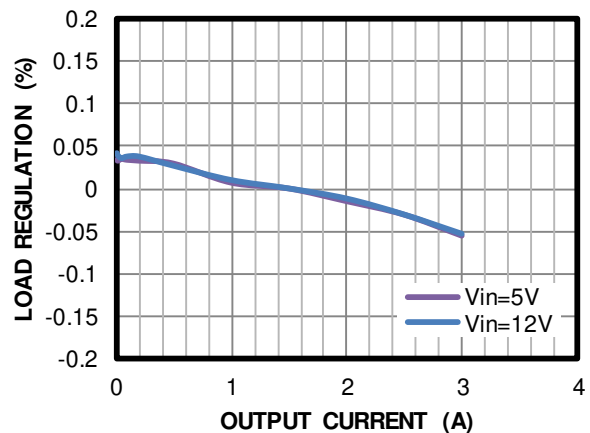
### Load Regulation

Buck 1 works in auto PFM/PWM mode



### Load Regulation

Buck 2 works in auto PFM/PWM mode



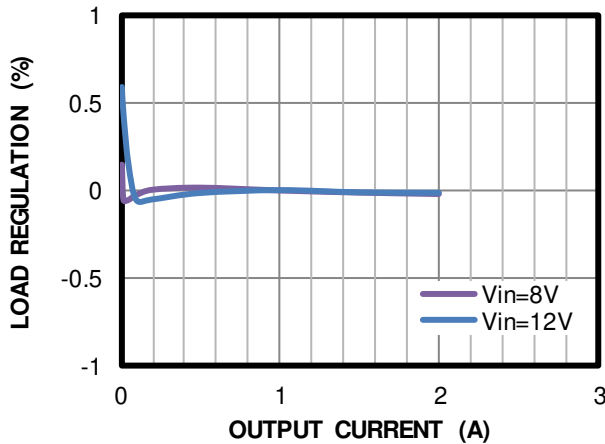
**TYPICAL CHARACTERISTICS (continued)**

Performance waveforms are tested on the evaluation board.

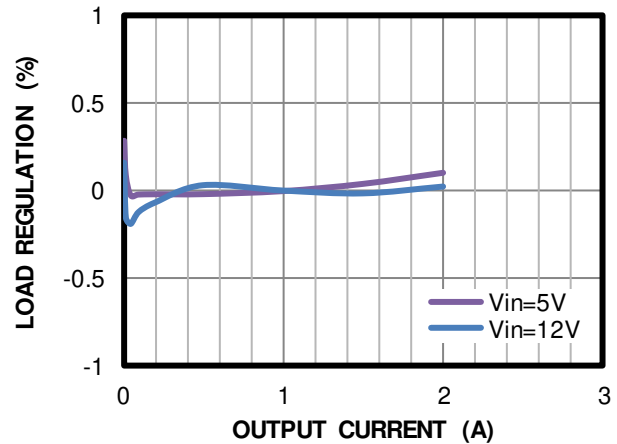
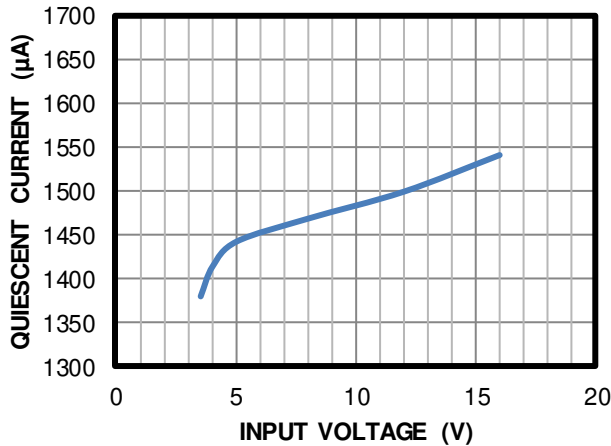
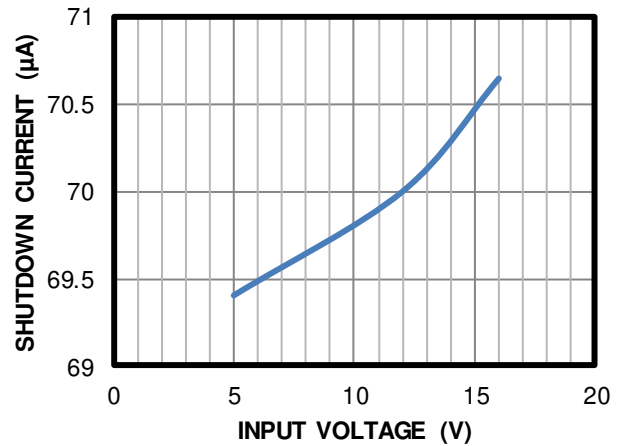
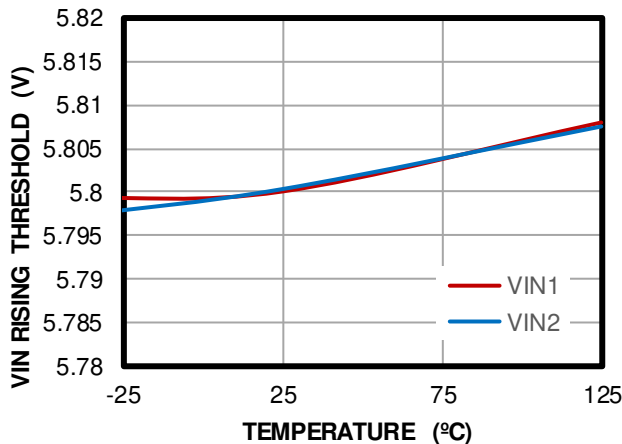
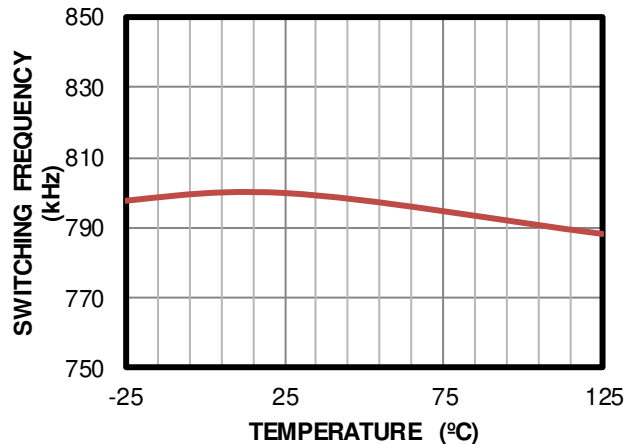
 VIN1 = VIN2 = 12V, T<sub>A</sub> = 25°C, buck 1 to buck 4 output 0.6V/1V/5V/1.8V, switching frequency 800kHz, unless otherwise noted.

**Load Regulation**

Buck 3 works in auto PFM/PWM mode


**Load Regulation**

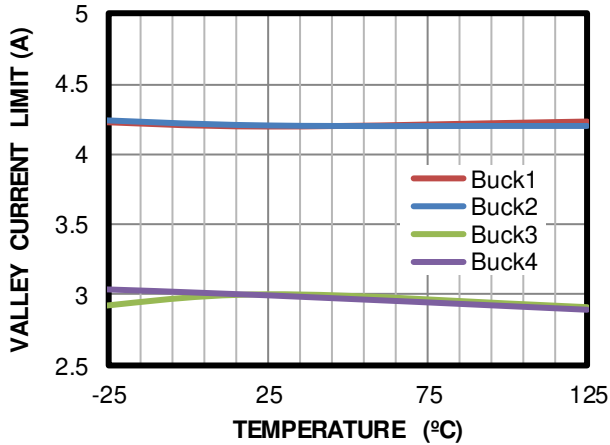
Buck 4 works in auto PFM/PWM mode


**Quiescent Current vs. Input Voltage**

**Shutdown Current vs. Input Voltage**

**V<sub>IN</sub> Rising Threshold vs. Temperature**

**Switching Frequency vs. Temperature**


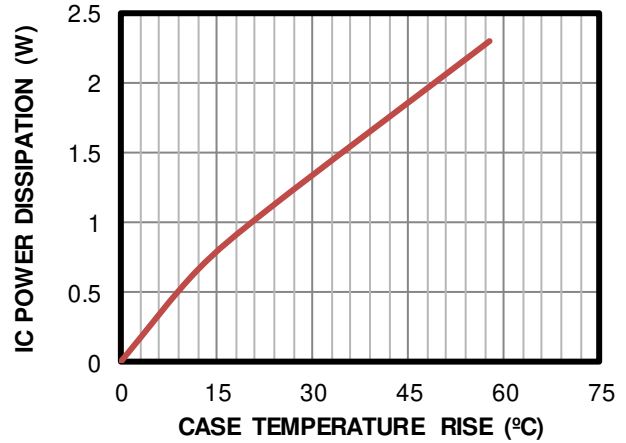
**TYPICAL CHARACTERISTICS** *(continued)*

Performance waveforms are tested on the evaluation board.

 VIN1 = VIN2 = 12V, T<sub>A</sub> = 25°C, buck 1 to buck 4 output 0.6V/1V/5V/1.8V, switching frequency 800kHz, unless otherwise noted.

**Valley Current Limit vs. Temperature**

**IC Power Dissipation vs. Case Temperature Rise**

Tested on four-layer PCB (6.35cmx6.35cm)



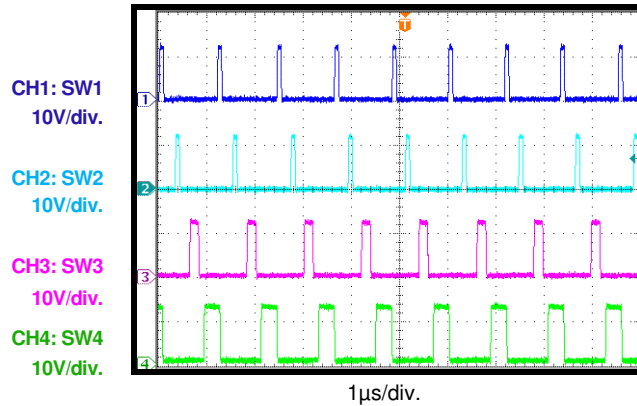
## TYPICAL PERFORMANCE CHARACTERISTICS

Performance waveforms are tested on the evaluation board.

VIN1 = VIN2 = 12V, T<sub>A</sub> = 25°C, buck 1 to buck 4 output 0.78V/0.78V/1.8V/3.3V, switching frequency 800kHz, unless otherwise noted.

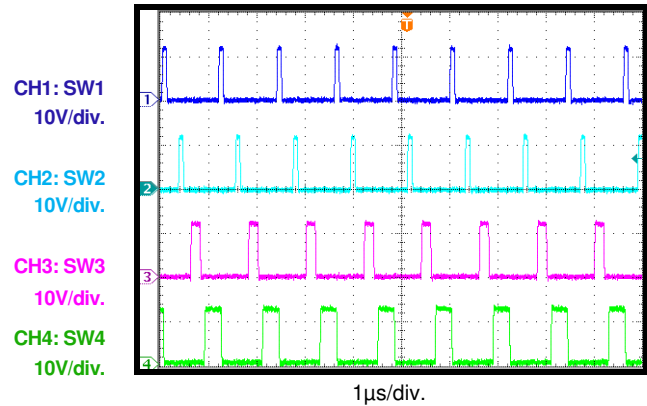
### Steady State

Each channel buck with half load



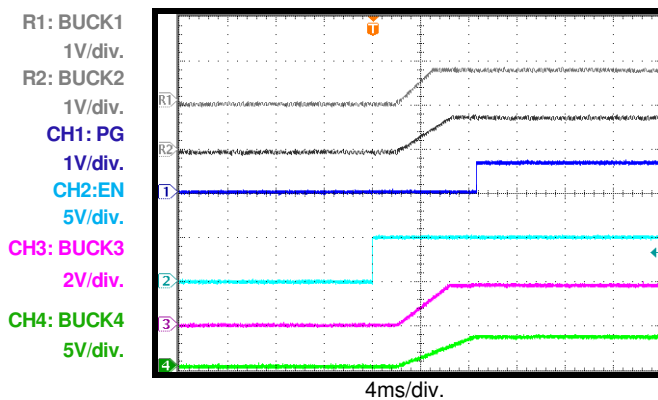
### Steady State

Each channel buck with full load



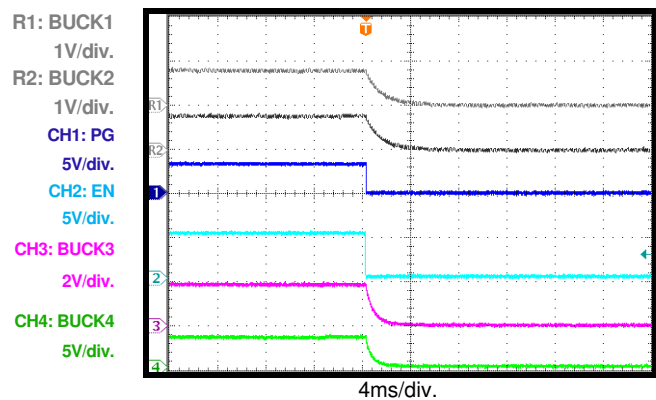
### EN Power On

Each channel buck without load



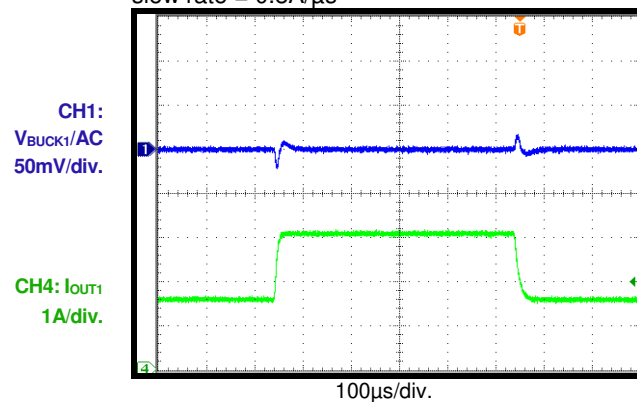
### EN Power Off

Each channel buck without load



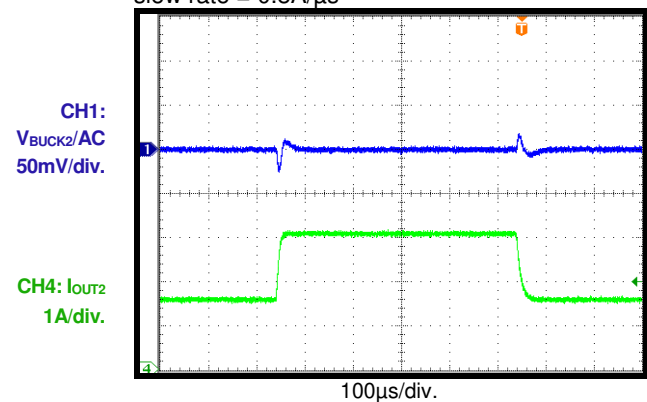
### Load Transient Response

Buck 1, I<sub>OUT</sub> transient from 1.5A to 3A,  
slew rate = 0.8A/µs



### Load Transient Response

Buck 2, I<sub>OUT</sub> transient from 1.5A to 3A,  
slew rate = 0.8A/µs



## TYPICAL PERFORMANCE CHARACTERISTICS *(continued)*

Performance waveforms are tested on the evaluation board.

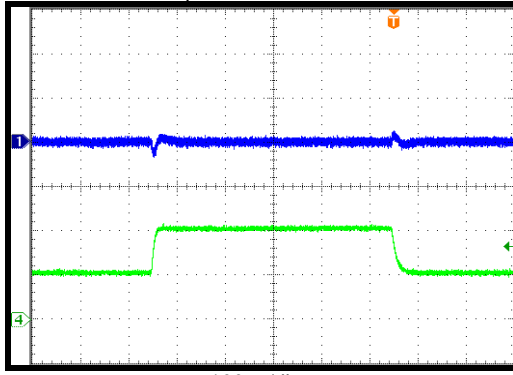
VIN1 = VIN2 = 12V, T<sub>A</sub> = 25°C, buck 1 to buck 4 output 0.78V/0.78V/1.8V/3.3V, switching frequency 800kHz, unless otherwise noted.

### Load Transient Response

Buck 3, I<sub>OUT</sub> transient from 1A to 2A,  
slew rate = 0.8A/μs

CH1:  
V<sub>BUCK3</sub>/AC  
50mV/div.

CH4: I<sub>OUT3</sub>  
1A/div.



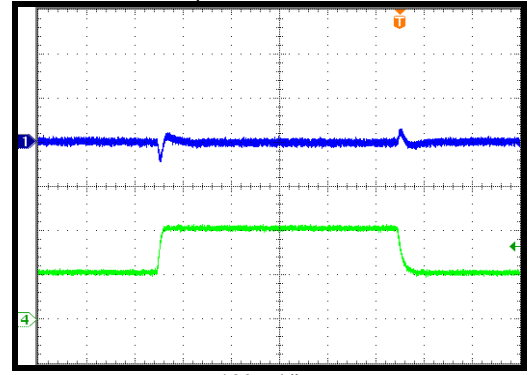
100μs/div.

### Load Transient Response

Buck 4, I<sub>OUT</sub> transient from 1A to 2A,  
Slew rate = 0.8A/μs

CH1:  
V<sub>BUCK4</sub>/AC  
100mV/div.

CH4: I<sub>OUT4</sub>  
1A/div.



100μs/div.

### SCP Entry

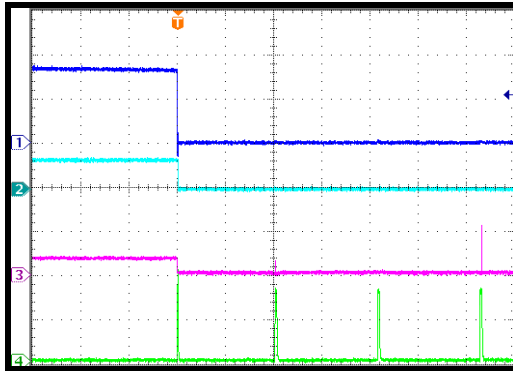
Buck 4 output 3.3V, I<sub>o</sub> = 0A

CH1: V<sub>BUCK4</sub>  
2V/div.

CH2: PG  
5V/div.

CH3: V<sub>SW4</sub>  
10V/div.

CH4: I<sub>L4</sub>  
2A/div.



4ms/div.

### SCP Steady State

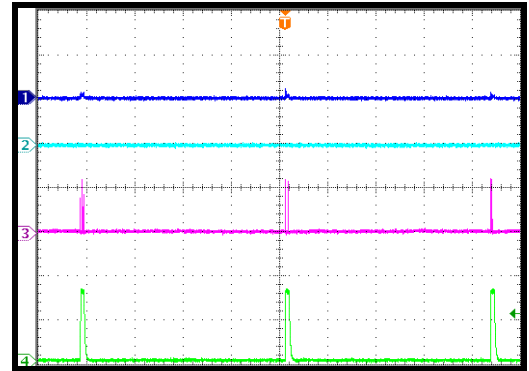
Buck 4 output 3.3V, I<sub>o</sub> = 0A

CH1:  
V<sub>BUCK4</sub>  
500mV/div.

CH2: PG  
5V/div.

CH3: V<sub>SW4</sub>  
10V/div.

CH4: I<sub>L4</sub>  
2A/div.



2ms/div.

### SCP Recovery

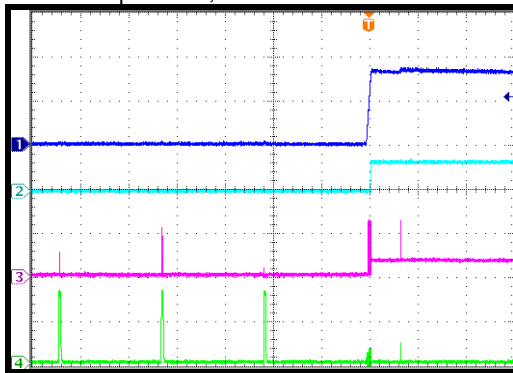
Buck 4 output 3.3V, I<sub>o</sub> = 0A

CH1: V<sub>BUCK4</sub>  
2V/div.

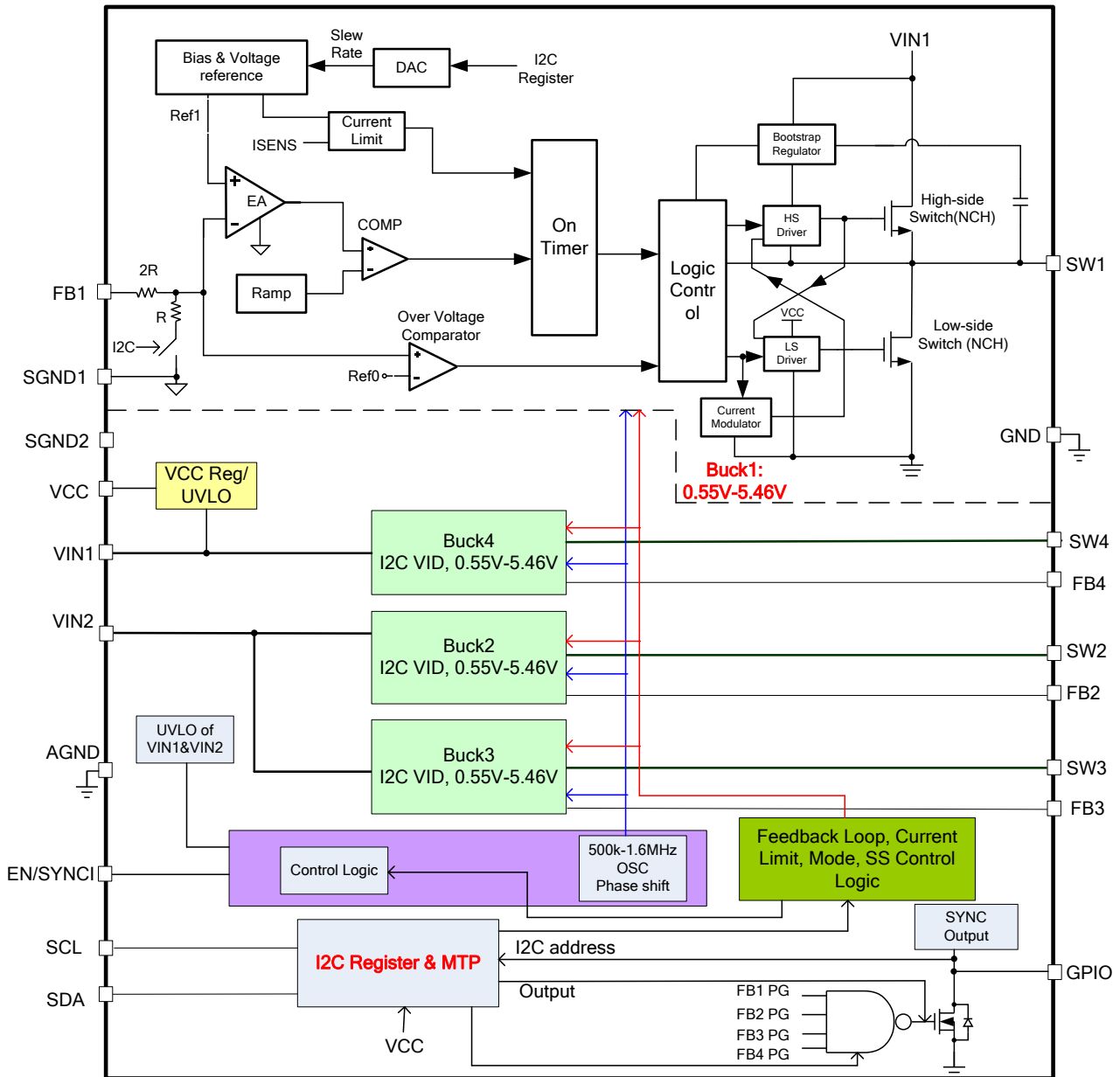
CH2: PG  
5V/div.

CH3: V<sub>SW4</sub>  
10V/div.

CH4: I<sub>L4</sub>  
2A/div.



4ms/div.

**BLOCK DIAGRAM**

**Figure 1: Functional Block Diagram**

## ANALOG OPERATION

### High-Efficiency Buck Regulators

Buck 1 to buck 4 are synchronous, step-down, DC/DC converters with built-in soft start, compensation, and hiccup current limit protection. Fixed-frequency constant-on-time (COT) control provides a fast transient response. The switching clock is locked and phase-shifted from buck 1 to buck 4 during continuous conduction mode (CCM) operation.

### Power Supply and UVLO

VIN1 is the power supply of buck 1 and buck 4. VIN2 is the power supply of buck 2 and buck 3. VIN1 also powers the VCC LDO regulator. It is recommended to connect VIN1 and VIN2 together during application. When the input voltage is higher than the under-voltage lockout (UVLO) rising threshold voltage, the corresponding buck powers up. The buck shuts down when the input voltage is lower than the UVLO falling threshold voltage. Refer to the state machine diagram on page 31 for more detail.

### Enable and Switching Frequency SYNC Input (EN/SYNCl)

EN/SYNCl is a digital control pin that turns the regulator on and off. Drive EN/SYNCl high to turn on the regulator. Drive EN/SYNCl low to turn off the regulator. EN/SYNCl is pulled low automatically by an internal resistor when EN/SYNCl is floating.

Connecting EN/SYNCl to a voltage source directly requires limiting the amplitude of the voltage source  $\leq 6V$  to prevent damage. A resistor divider is needed when pulling EN/SYNCl up to a 12V<sub>IN</sub> supply.

For external clock synchronization, connect a clock with a frequency range between 500kHz and 1.6MHz to EN/SYNCl. Buck 1's SW rising edge will synchronize with the external clock rising edge. Select an external clock signal with a pulse width less than 1.7 $\mu$ s. After synchronization, the buck 1 - buck 4 phase shift continues to follow the MTP definition.

The MP5470 default switching frequency should be set close to the sync input's frequency. For example, when the external SYNCl clock is 500kHz, the internal switching

frequency should be set at 533kHz via the I<sup>2</sup>C or MTP.

The I<sup>2</sup>C and MTP function, including the ADD pin function, is kept active when EN/SYNCl is pulled low.

### Thermal Shutdown

The MP5470 employs thermal shutdown by monitoring the junction temperature of the IC internally. If the junction temperature exceeds the 160°C threshold, the converter shuts off. This is a non-latch protection. There is a hysteresis of about 20°C. Once the junction temperature drops to about 140°C, a soft start is initiated.

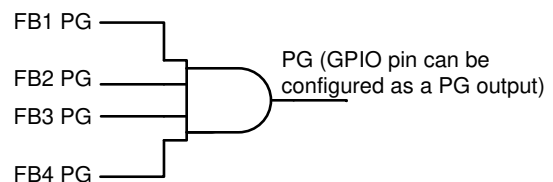
### Pre-Bias Start-Up

The MP5470 has been designed for monotonic start-up into a pre-biased V<sub>OUT</sub>. If the output is pre-biased to a certain voltage during start-up, the internal BST voltage is refreshed and charged, and the soft-start reference begins ramping up. If the BST voltage exceeds its rising threshold voltage and the soft-start reference voltage exceeds the sensed output voltage at FB, the MP5470 begins to soft start.

### Power Good (PG)

The MP5470 has power good (PG) register bits (D4-D7 bits of the status register) that are used to indicate whether the enabled buck's output voltage is ready or not. When buck x's feedback voltage (V<sub>FB</sub>) is above 92% of the reference voltage (V<sub>REF</sub>), the corresponding PG<sub>x</sub> bit in the status register is set to 1 after a 200 $\mu$ s default time or other MTP-programmed delay time. During normal operation, the PG<sub>x</sub> bit is set to 0 when the corresponding buck regulator falls below the under-voltage (UV) threshold with a 50 $\mu$ s delay.

The MP5470's GPIO pin can be configured as a dedicated PG pin. PG is a wired AND output of FB1 PG to FB4 PG signals (see Figure 2).



**Figure 2: GPIO Configured as a PG Output Logic**

PG is pulled low when any enabled regulator falls below the UV threshold. PG is pulled low when all regulators are disabled.

During UVLO, EN/SYNCI is low or over-temperature protection (OTP) occurs, and the PG pin is pulled low immediately. When an over-current condition occurs, PG is pulled low when  $V_{FB}$  drops below 87% of  $V_{REF}$  after a 50 $\mu$ s delay. The PG function does not indicate an output over-voltage condition.

### Output Over-Voltage Protection (OVP)

The MP5470 monitors the output voltage and enters over-voltage protection (OVP) discharge mode once the output voltage is higher than 120% of  $V_{REF}$  for longer than 2.5 $\mu$ s. In OVP discharge mode, the low-side MOSFET (LS-FET) is turned on until the low-side current drops to the negative current limit. This discharges the output to keep the output voltage within the normal range. If the output voltage over-voltage condition still remains, the LS-FET turns on again after a fixed delay to repeat the discharge behavior.

The MP5470 exits this discharge mode when  $V_{FB}$  drops below 114% of  $V_{REF}$ .

If the input voltage of the MP5470 during OVP discharge mode exceeds 18V of the input OVP threshold, the MP5470 stops switching until the input voltage drops below 16V. Then the MP5470 enters discharge mode again. This input OVP function is active only during an output over-voltage (OV) condition.

The OVP function can be enabled or disabled through the I<sup>2</sup>C and MTP interface.

### Output Discharge

To discharge the energy of the output capacitor during a power-off sequence or shutdown sequence, there is a typical 45 $\Omega$  discharge resistor from SWx to ground. The discharge function can be enabled or disabled through the I<sup>2</sup>C and MTP interface.

### Soft Start (SS)

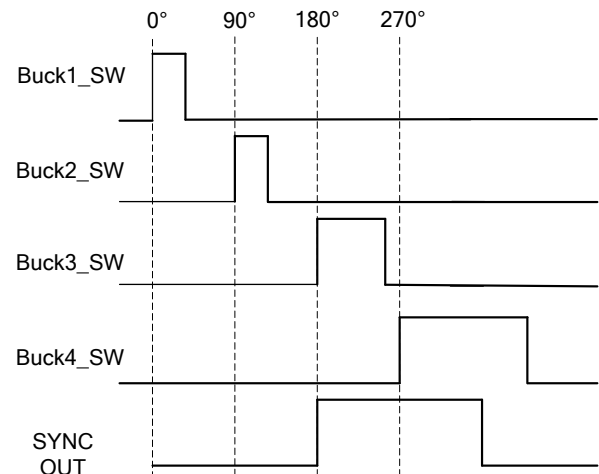
The MP5470 employs a soft start (SS) mechanism to ensure a smooth output during power-up. When the MP5470 is enabled and the BST voltage reaches its rising threshold, the internal DAC outputs a ramp voltage (reference voltage). The output voltage ramps up smoothly

with the reference voltage. When the DAC output reaches the final voltage, it stops at that level. At this point, the soft start finishes, and the MP5470 enters steady-state operation.

The start-up delay and soft-start slew rate are both programmable by the MTP.

### Out-of-Phase Operation and Clock SYNC Out

Buck 1 to buck 4 are frequency-locked and phase shifted. The phase shift can be changed by the MTP (see Figure 3). The phase shift feature is the same for the EN/SYNCI input case. When the GPIO pin is configured in SYNC Output mode, the MP5470 outputs a 180° phase shift from the internal clock's rising edge (50% duty pulse). SYNC Output is an open drain output, so external 2.2 to 10k $\Omega$  pull-up resistor should be added to it. The SYNC Out function is still active, even if buck 1 to buck 4 all enter light-load sleep mode. The SYNC Out signal is enabled when the EN voltage is higher than the EN rising threshold voltage .



**Figure 3: Phase Shift Example**

### VCC Regulator

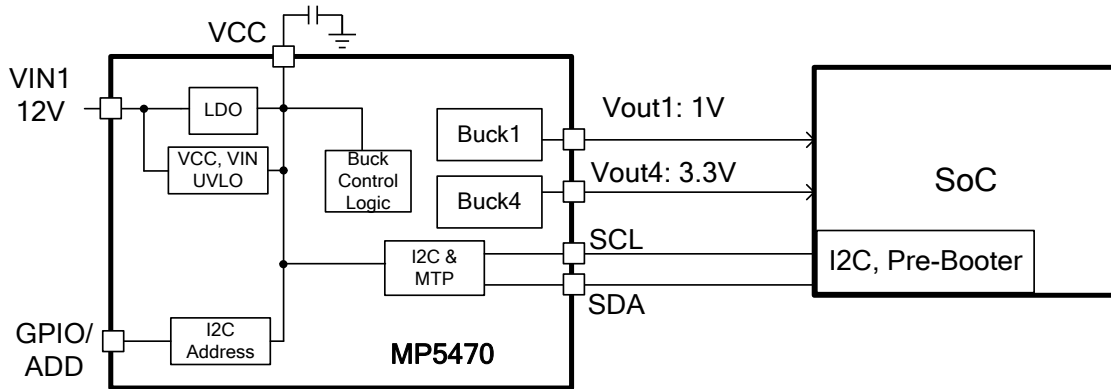
A 3.3V internal regulator powers most of the internal circuitries. A decoupling capacitor is needed to stabilize the regulator and reduce the ripple. This regulator takes the  $V_{IN1}$  input and operates in the full  $V_{IN1}$  range.



**Over-Current Protection (OCP) and Short-Circuit Protection (SCP)**

The MP5470 has a valley current-limit control. The inductor current is monitored during the LS-FET on state. When the sensed inductor current is higher than the valley current-limit threshold, the device enters over-current protection (OCP) mode, the high-side MOSFET (HS-FET) is not allowed to turn on until the valley current limit is removed. Meanwhile, the output voltage drops until it is below the UV threshold (typically 45% of the reference).

Once UV and OC are both triggered, the MP5470 enters hiccup mode to restart the related power rail periodically. The hiccup duty cycle must be very small to reduce the power dissipation during a short-circuit condition. During OCP, the device attempts to recover from the over-current fault with hiccup mode. In hiccup mode, the MP5470 disables the output power stage, discharges the soft-start capacitor, and attempts to soft start again automatically. If the OC condition still remains when the soft start finishes, the MP5470 repeats this operation. OCP is a non-latch protection.



**Figure 4: I<sup>2</sup>C Start-Up Block**

## DIGITAL INTERFACE

### Multiple-Time Programming (MTP)

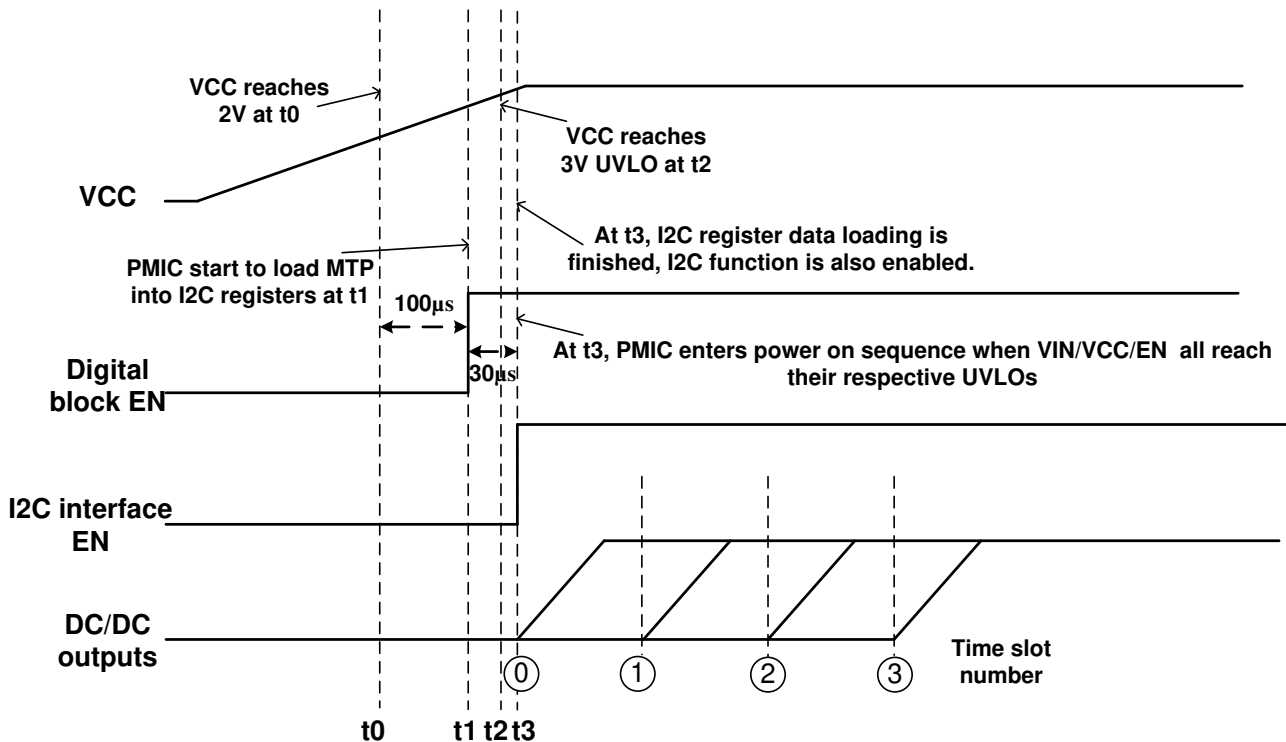
The I<sup>2</sup>C and MTP blocks are active with a 100µs delay after VCC's voltage rises higher than the 2V rising threshold regardless of whether EN/SYNCI's voltage is high or low. Figure 4 shows one kind of system level application example.

When VIN1 powers up and EN/SYNCI is pulled high, the MP5470 starts up with a safe mode that allows the system on-chip processor (SoC) to start up without damage. In safe mode, only one or two power rails turn on. For example, if Vout1 is 1V and Vout4 is 3.3V, the other power rails are off. The default buck 1 to buck 4 configuration is determined by the MTP e-Fuse. The MTP data is loaded into the corresponding I<sup>2</sup>C registers during the initial power up, and the I<sup>2</sup>C registers control the parameters for buck 1 to buck 4 directly. For the MTP load to the I<sup>2</sup>C register condition, VCC must be greater than 2V during the initial power-up, and the MTP programming must be completed. Toggling

EN/SYNCI on and off will not reload the MTP registers into the I<sup>2</sup>C registers.

The I<sup>2</sup>C register and MTP table are correlated to each other. The MTP table can be accessed and programmed through the I<sup>2</sup>C interface up to three times.

After the MP5470 buck 1 and buck 4 power up, the SoC programs the MP5470 I<sup>2</sup>C register and MTP. Refer to the I<sup>2</sup>C Bus Slave Address section on page 29 for steps on identifying a valid slave address. When SoC writes to the I<sup>2</sup>C register, the I<sup>2</sup>C register takes effect immediately or can be burned via the MTP. VCC rises up to 5.2V when the MTP is programmed. To protect the power device, the buck regulators are shut down when burning the MTP fuse. After MTP programming is done, the buck regulators start up sequentially. In normal buck operation, the I<sup>2</sup>C master can read and write the register's data in line. Figure 5 shows the timing graph during the PMIC start-up period.



**Figure 5: Power-On Timing Graph with MTP-Burned IC**

**Safety Consideration for Writing the MTP**

Several protection items can reduce the failure rate in MTP writing. There are three steps to take before writing the MTP registers.

1. Refer to the MTP table. The MTP\_program bit should be set to 1. The I<sup>2</sup>C register is locked to prevent a write operation until the MTP programming finishes. SoC can read the I<sup>2</sup>C register during this period.
2. The MP5470 checks the MTP burning power supply. If it is higher than 5.1V, then continue the MTP write operation. Otherwise, abort and unlock I<sup>2</sup>C write protection.
3. The MP5470 calculates the sum of all related I<sup>2</sup>C registers to be burned in the MTP register and generates a 16-bit checksum data. Checksum is not truly a sum of all I<sup>2</sup>C registers but an arithmetic value that combines all data. The checksum results are written to the MTP register as well.

After the MTP write operation finishes, typically 100ms must pass before the MP5470 sets the MTP\_program bit to 0 and the I<sup>2</sup>C register write protection is unlocked. SoC can read the I<sup>2</sup>C register. If the MTP\_program bit goes to 0, then the MTP programming is complete.

After the MTP write operation is completed, the system SoC can read the MTP register data to verify that the correct value is saved into the MTP registers. If anything is incorrect, the SoC will write to the MTP again.

During VIN power-up, before loading MTP data into the I<sup>2</sup>C register, the MP5470 performs a checksum calculation for all related MTP registers and compares the result with the checksum byte. If they match, then the MTP data is loaded into the I<sup>2</sup>C register. Otherwise, the I<sup>2</sup>C register uses a hard-coded default value. There is an I<sup>2</sup>C register flag bit that indicates the checksum error.

**MTP Table**

	REG(0x)	D[7]	D[6]	D[5]	D[4]	D[3]	D[2]	D[1]	D[0]
Buck1	40			Soft Start Delay1		Additional Phase Delay1	Soft Start Time1		
	41	Vout_Limit_EN1	Mode1	Current Limit1		VOUT_OVP_EN1	Phase Delay Select1		VOUT_Dis_EN1
	42	Vout_Select <sub>1</sub>	V_Ref1						
Buck2	43			Soft Start Delay2		Additional Phase Delay2	Soft Start Time2		
	44	Vout_Limit_EN2	Mode2	Current Limit2		VOUT_OVP_EN2	Phase Delay Select2		VOUT_Dis_EN2
	45	Vout_Select <sub>2</sub>	V_Ref2						
Buck3	46			Soft Start Delay3		Additional Phase Delay3	Soft Start Time3		
	47	Vout_Limit_EN3	Mode3	Current Limit3		VOUT_OVP_EN3	Phase Delay Select3		VOUT_Dis_EN3
	48	Vout_Select <sub>3</sub>	V_Ref3						
Buck4	49			Soft Start Delay4		Additional Phase Delay4	Soft Start Time4		
	4A	Vout_Limit_EN4	Mode4	Current Limit4		VOUT_OVP_EN4	Phase Delay Select4		VOUT_Dis_EN4
	4B	Vout_Select <sub>4</sub>	V_Ref4						
System	4C	EN1	EN2	EN3	EN4		UVLO		OP_BIT
System	4D	FREQ		Shutdown_Delay_EN	I <sup>2</sup> C Slave Address				
System	4E	ADD_PG_OP_SYNCOUT			PG_Delay		Parallel_2	Parallel_1	
System	4F	MTP Configure Code. "0x00" refers to the standard MP5470, and "0x01" refers to the MP5470-0001 part number.							
System	50	MTP Revision Number: the MTP value may need to be updated after a period of time. This bit stores the revision number.							
System	51	Checksum1 of MTP register 0x40 to 0x50: <ul style="list-style-type: none"> <li>When writing the I<sup>2</sup>C register's data into the MTP, the MP5470 performs a checksum of all related I<sup>2</sup>C registers and writes the result in this bit and the next byte.</li> <li>During power-up, the MP5470 calculates and compares the MTP cell's data with 0x51-0x52 register's content. If they match, then load the MTP data to the I<sup>2</sup>C register. Otherwise, the I<sup>2</sup>C register ignores the presented MTP data and uses the default setting.</li> </ul>							
System	52	Checksum2 of MTP register 0x40 to 0x50.							

**MTP Table Description**

NAME	BIT	DEFAULT	DESCRIPTION
Soft-Start Delay	D[5:4]	Soft-Start Delay1=10 Soft-Start Delay2=10 Soft-Start Delay3=10 Soft-Start Delay4=10	The delay time between the time EN goes high and the system is ready to when the buck Vout starts to ramp up. Two bits can set four different values: D[5:4]=00: 0ms, time slot 0 D[5:4]=01: 1ms, time slot 1 D[5:4]=10: 2ms, time slot 2 D[5:4]=11: 3ms , time slot 3 Refer to the Power-On Sequence section on page 31 for the time slot definition.
Additional Phase Delay	D[3]	Delay1=0 Delay2=0 Delay3=0 Delay4=0	This bit set to 1 can add a 100ns phase delay to the buck high-side switch turn-on edge.
Soft-Start Time	D[2:0]	Soft-Start Time1=101 Soft-Start Time2=110 Soft-Start Time3=100 Soft-Start Time4=110	This bit is the soft-start slew rate setting bit of each buck regulator. The below slew rate is the internal reference voltage slew rate. If Vout_Select bit is set to 1, the Vout slew rate is 3 (three times the Vout_Select bit). D[3:0] = 000: 2.67mV/μs soft-start slew rate D[3:0] = 001: 1.6mV/μs soft-start slew rate D[3:0] = 010: 1mV/μs soft-start slew rate D[3:0] = 011: 0.67mV/μs soft-start slew rate D[3:0] = 100: 0.4mV/μs soft-start slew rate D[3:0] = 101: 0.25mV/μs soft-start slew rate D[3:0] = 110: 0.167mV/μs soft-start slew rate D[3:0] = 111: 0.1mV/μs soft-start slew rate For available soft-start times vs. Vout, refer to the table below. Soft-start time (ms): Vout from 0-100%, Vout_Select = 1 when Vout > 1.8V.

3 Bits	Slew rate (mV/μs)	Vout= 5.01V	Vout= 3.3V	Vout= 2.5V	Vout= 1.8V	Vout= 1V	Vout= 0.6V
000	2.67	0.6	0.4	0.3	0.7	0.4	0.2
001	1.6	1.0	0.7	0.5	1.1	0.6	0.4
010	1	1.7	1.1	0.8	1.8	1.0	0.6
011	0.67	2.5	1.6	1.2	2.7	1.5	0.9
100	0.4	4.2	2.8	2.1	4.5	2.5	1.5
101	0.25	6.7	4.4	3.3	7.2	4.0	2.4
110	0.167	10.0	6.6	5.0	10.8	6.0	3.6
111	0.1	16.7	11.0	8.3	18.0	10.0	6.0

Vout_Limit_EN	D[7]	Vout_Limit_EN1=1 Vout_Limit_EN2=1 Vout_Limit_EN3=1 Vout_Limit_EN4=0	This bit can limit the maximum output voltage of each power rail. D[7] = 0: the maximum output voltage has no limit and depends on the I <sup>2</sup> C Vout setting, maximum duty cycle, or absolute voltage limit. D[7] = 1: the maximum output voltage is limited to 1.830V (FB voltage).
Mode	D[6]	Mode1=0 Mode2=0 Mode3=0 Mode4=0	Selects the mode (auto PFM/PWM mode or forced PWM mode). D[6]=0: auto PFM/PWM mode D[6]=1: forced PWM mode
Current Limit	D[5:4]	Current Limit1=10 Current Limit2=10 Current Limit3=01 Current Limit4=01	Sets the current limit of buck 1 to buck 4. D[5:4] = 00: 2A valley-current limit for 1A output current application D[5:4] = 01: 3A valley-current limit for 2A output current application D[5:4] = 10: 4.2A valley-current limit for 3A output current application D[5:4] = 11: 5A valley-current limit for 4A peak output current application
Phase Delay Select	D[2:1]	Phase Delay Select1=00 Phase Delay Select2=01 Phase Delay Select3=10 Phase Delay Select4=11	Set phase delay. 00: 0° delay 01: 90° delay 10: 180° delay 11: 270° delay
VOUT_OVP_EN	D[3]	VOUT_OVP_EN1=0 VOUT_OVP_EN2=0 VOUT_OVP_EN3=0 VOUT_OVP_EN4=0	Enable bit of buck 1 to buck 4's output OVP function. D[3] = 0: disable the OVP function D[3] = 1: enable the OVP function
VOUT_DIS_EN	D[0]	VOUT_DIS_EN1=1 VOUT_DIS_EN2=1 VOUT_DIS_EN3=1 VOUT_DIS_EN4=1	Enable bit of buck 1 to buck 4's output discharge function. D[3] = 0: disable the discharge function D[3] = 1: enable the discharge function

Vout_Select	D[7]	Vout_Select 1=0 Vout_Select 2=0 Vout_Select 3=0 Vout_Select 4=1	Selects the internal feedback divider ratio. D[7] = 0: FB voltage is fed to the error amplifier directly. $V_{FB}$ equals $V_{REF}$ . D[7] = 1: FB voltage is divided by 3 and compared with $V_{REF}$ . $V_{FB}$ is three times $V_{REF}$ . NOTE: if the AVS function is used, D[7] is set to 0.
V_Ref	D[6:0]	V_Ref1= 0.780V V_Ref2= 0.780V V_Ref3= 1.800V ... V_Ref4= 1.100V	Sets the internal reference voltage from 550mV to 1.82V, 10mV per step. The voltage slew rate is fixed at 2.6mV/ $\mu$ s. D[6:0] = 000 0000: 550mV D[6:0] = 000 0001: 560mV ... D[6:0] = 111 1111: 1.82V
EN1, EN2, EN3, EN4	D[7:4]	EN1=1 EN2=1 EN3=1 EN4=1	Enable bit of each buck regulator. 1: enabled 0: disabled
UVLO	D[2:1]	D[2:1]=10	Sets the input UVLO threshold of VIN1 and VIN2. 00: UVLO rising is 3.5V 01: UVLO rising is 4.5V 10: UVLO rising is 5.8V 11: UVLO rising is 8.5V
OP_BIT	D[0]	D[0]=0	When the ADD_PG_OP_SYNCOUT bit is set to 10, GPIO is configured as an Output Port. OP_BIT sets the Output Port to logic high or low. This bit is only valid when ADD_PG_OP_SYNCOUT = 10. Otherwise, this bit is useless. 0: GPIO is pulled low with a certain resistance 1: GPIO is open drain
FREQ	D[7:6]	D[7:6]=01: 800kHz	Frequency set of the buck regulator. Buck 1 to buck 4 switching frequency is always the same and cannot support different frequencies from buck 1 to buck 4. D[7:6] = 00: 533kHz D[7:6] = 01: 800kHz D[7:6] = 10: 1060kHz D[7:6] = 11: 1600kHz
Shutdown_ Delay_EN	D[5]	D[5]=0	The MP5470 offers two kinds of shutdown sequences when EN/SYNCl goes low. The first is a buck 1 - buck 4 shutdown following the reverse of the power-on sequence. The second is when buck 1 - buck 4 shut down at the same time. Refer to the detailed description of the shutdown sequence on page 31. D[5] = 0: shut down at the same time D[5] = 1: shutdown sequence is the reverse of the power-on sequence
I <sup>2</sup> C SLAVE ADDRESS	D[4:0]	D[4:0]= 01000	Sets the A5 to A1 bits of the slave I <sup>2</sup> C address. Refer to the I <sup>2</sup> C bus slave address section on page 29.

ADD_PG_OP_SYNCOUT	D[7:6]	D[7:6]=00	<p>Sets GPIO's function.</p> <p>D[7:6] = 00: GPIO is configured as ADD, which can set the I<sup>2</sup>C slave address.</p> <p>D[7:6] = 01: GPIO is configured as PG, which indicates the buck regulator's power status.</p> <p>D[7:6] = 10: GPIO is OP (Output Port) and works in output mode. OP is an open-drain structure, and its logic is controlled by the I<sup>2</sup>C register bit. The MTP OP_BIT bit sets the default status.</p> <p>D[7:6] = 11: GPIO is SYNC Output, which outputs a clock signal to synchronize the downstream device's switching frequency. SYNC Output is an open-drain structure.</p>
PG_Delay	D[4:2]	D[4:2]=000	<p>Sets the PG delay timer.</p> <p>000: 0.2ms            001: 5ms            010: 25ms            011: 75ms            100: 200ms</p>
Parallel_2	D[1]	0	<p>Sets the buck 3 and buck 4 to work in parallel mode. FB3 AND FB4 are paralleled as the feedback pin. The default value is 0. After entering parallel mode, buck 4's I<sup>2</sup>C/MTP register is invalid.</p> <p>The current limit is double buck 3's register setting.</p> <p>0: non-parallel mode            1: parallel mode</p>
Parallel_1	D[0]	0	<p>Sets buck 1 and buck 2 to work in parallel mode. FB1 AND FB2 are paralleled as the feedback pin. The default value is 0. After entering parallel mode, buck 2's I<sup>2</sup>C/MTP register is invalid.</p> <p>The current limit is double buck 1's register setting.</p> <p>0: non-parallel mode            1: parallel mode</p>



**Vref1 to Vref4, Reference Voltage Truth Table**

D[6:0]	Vref (mV)	D[6:0]	Vref (mV)	D[6:0]	Vref (mV)
0000000	550	0101011	980	1010110	1410
0000001	560	0101100	990	1010111	1420
0000010	570	0101101	1000	1011000	1430
0000011	580	0101110	1010	1011001	1440
0000100	590	0101111	1020	1011010	1450
0000101	600	0110000	1030	1011011	1460
0000110	610	0110001	1040	1011100	1470
0000111	620	0110010	1050	1011101	1480
0001000	630	0110011	1060	1011110	1490
0001001	640	0110100	1070	1011111	1500
0001010	650	0110101	1080	1100000	1510
0001011	660	0110110	1090	1100001	1520
0001100	670	0110111	1100	1100010	1530
0001101	680	0111000	1110	1100011	1540
0001110	690	0111001	1120	1100100	1550
0001111	700	0111010	1130	1100101	1560
0010000	710	0111011	1140	1100110	1570
0010001	720	0111100	1150	1100111	1580
0010010	730	0111101	1160	1101000	1590
0010011	740	0111110	1170	1101001	1600
0010100	750	0111111	1180	1101010	1610
0010101	760	1000000	1190	1101011	1620
0010110	770	1000001	1200	1101100	1630
0010111	780	1000010	1210	1101101	1640
0011000	790	1000011	1220	1101110	1650
0011001	800	1000100	1230	1101111	1660
0011010	810	1000101	1240	1110000	1670
0011011	820	1000110	1250	1110001	1680
0011100	830	1000111	1260	1110010	1690
0011101	840	1001000	1270	1110011	1700
0011110	850	1001001	1280	1110100	1710
0011111	860	1001010	1290	1110101	1720
0100000	870	1001011	1300	1110110	1730
0100001	880	1001100	1310	1110111	1740
0100010	890	1001101	1320	1111000	1750
0100011	900	1001110	1330	1111001	1760
0100100	910	1001111	1340	1111010	1770
0100101	920	1010000	1350	1111011	1780
0100110	930	1010001	1360	1111100	1790

0100111	940	1010010	1370	1111101	1800
0101000	950	1010011	1380	1111110	1810
0101001	960	1010100	1390	1111111	1820
0101010	970	1010101	1400		

### Output Voltage Setting

FB1 to FB4 are the output voltage feedback pins. FBx can be connected to the buck output directly or connected to a resistor divider network for a higher output voltage. If connecting FB to Vout directly (using buck 1 as an example), the I<sup>2</sup>C bit Vout\_Select1 can set FB1 to equal Ref1 or FB1 to equal 3\*Ref1. The Ref1 voltage range is shown in the table above (0.55V - 1.82V). After setting the Vout\_Select1 bit to 1, the buck 1 output voltage range changes to 1.65V - 5.46V.

For a better load transient response, set V<sub>REF</sub> to a lower value and use a feedback resistor divider to set the final Vout. In this case, a feed-forward capacitor can be added to sense the Vout change more quickly. This operation is similar to the feedback configuration shown in Figure 6, but without AVS.

If connecting FBx to the resistor divider network (using buck 1 as an example), the I<sup>2</sup>C bit Vout\_Select1 = 0 can set FB1 to equal Ref1.

The Ref1 voltage range is shown in the table above (0.55V - 1.82V). The buck 1 output voltage can be calculated with Equation (1):

$$V_{O1} = \frac{R1 + R2}{R2} \times V_{ref1} \quad (1)$$

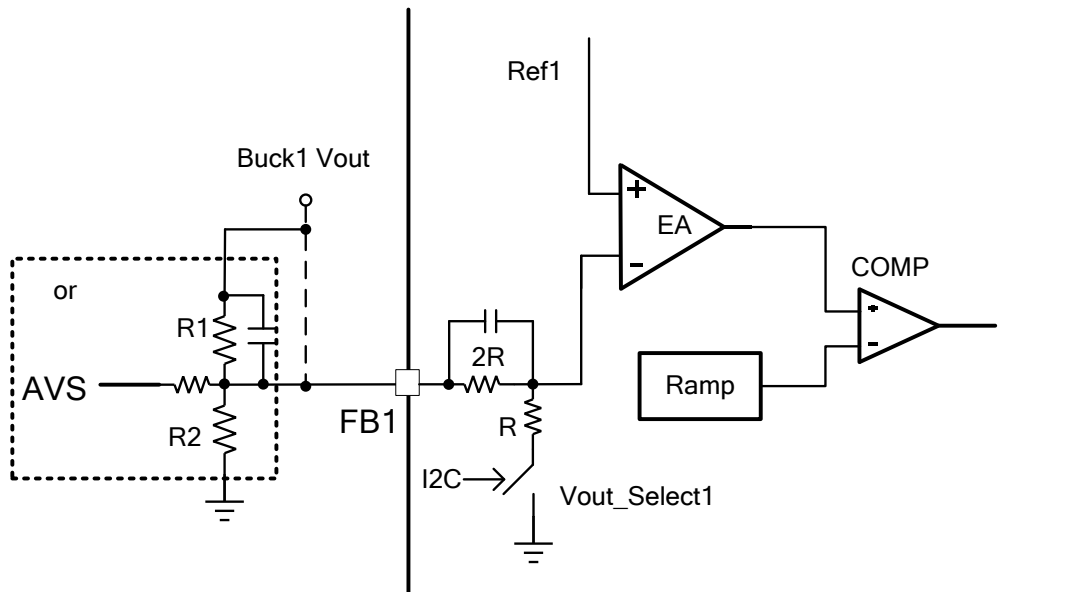
If using a resistor divider, the AVS function is supported. The direct Vout-to-FB path should be cut off.

If the AVS function is chosen, set Vout\_Select = 0.

During I<sup>2</sup>C DVS, the voltage change slew rate is 2.6mV/μs when Vout\_Select = 0. The slew rate is 7.8mV/μs when Vout\_Select = 1.

The Vout\_Limit\_EN bit can clamp the maximum output voltage to 1.830V (FB voltage, blank the Vout\_Select bit).

The absolute maximum output voltage is limited to 7V or the maximum duty cycle.



**Figure 6: Output Voltage Setting**

**I<sup>2</sup>C Register Map**

	REG (0x)	R/W	D[7]	D[6]	D[5]	D[4]	D[3]	D[2]	D[1]	D[0]	
Buck1	00	r/w			Soft Start Delay1		Additional Phase Delay1	Soft Start Time1			
	01	r/w	Vout_Limit_EN1	Mode1	Current Limit1		VOUT_OVP_EN1	Phase Delay Select1	VOUT_Dis_EN1		
	02	r/w	Vout_Select_1	V_Ref1							
Buck2	03	r/w			Soft Start Delay2		Additional Phase Delay2	Soft Start Time2			
	04	r/w	Vout_Limit_EN2	Mode2	Current Limit2		VOUT_OVP_EN2	Phase Delay Select2	VOUT_Dis_EN2		
	05	r/w	Vout_Select_2	V_Ref2							
Buck3	06	r/w			Soft Start Delay3		Additional Phase Delay3	Soft Start Time3			
	07	r/w	Vout_Limit_EN3	Mode3	Current Limit3		VOUT_OVP_EN3	Phase Delay Select3	VOUT_Dis_EN3		
	08	r/w	Vout_Select_3	V_Ref3							
Buck4	09	r/w			Soft Start Delay4		Additional Phase Delay4	Soft Start Time4			
	0A	r/w	Vout_Limit_EN4	Mode4	Current Limit4		VOUT_OVP_EN4	Phase Delay Select4	VOUT_Dis_EN4		
	0B	r/w	Vout_Select_4	V_Ref4							
System	0C	r/w	EN1	EN2	EN3	EN4		UVLO	OP_BIT		
System	0D	r/w	FREQ (Hz) (533k/800k/1.06M/1.6M)		Shutdown_Delay_EN	I <sup>2</sup> C Slave Address					
System	0E	r/w	ADD_PG_OP_SYNCOUT	MTP_Program	PG_Delay			Parallel_2*	Parallel_1*		
System	0F	r/w	MTP Configure Code. "0x00" refers to the standard MP5470. "0x01" refers to the MP5470-0001 part number.								
System	10	r/w	MTP Revision Number: the MTP value may need to be updated after a period of time. This bit stores the revision number.								
System	11	w	MTP Program Password								
Status	12	r	PG1	PG2	PG3	PG4	OT Warning	OT Protection			
System	13	r	Vendor ID (1000)				Checksum Flag	Current MTP Page Index			

**NOTE:** The parallel\_1 and \_2 bits only take effect when EN/SYNCl turns on. After EN/SYNCl turns on, changing these bits will not change the parallel mode.

### Description of Register Bits

Most register bits share the same description in the MTP table. The tables below only lists the description of different register bits.

The I<sup>2</sup>C register's default value is decided by the MTP table.

All I<sup>2</sup>C registers can be reset by the VCC UVLO. VIN2 < UVLO does not reset registers. When

VIN2 UVLO occurs, buck 2 and buck 3 are off. They are turned on again when VIN2 UVLO recovers but cannot follow the power-on sequence. They turn on at the same time once VIN2 UVLO is released.

Over-temperature protection (OTP) will not reset the I<sup>2</sup>C register.

### 1. REG 0x0E System

NAME	BITS	DESCRIPTION
MTP_Program	D[5]	<p>The default value of this bit is 0. If D[5] = 1, the I<sup>2</sup>C register's data are burned to the MTP table. Once the system starts to burn I<sup>2</sup>C register data to the MTP table, the I<sup>2</sup>C register write operation is locked (NACK), but the read operation is not locked until the MTP write operation finishes (typically 100ms). The system auto-sets D[5] to 0 to wait for the next MTP burning command.</p> <p>The current MTP page index will add one after MTP programming is done.</p> <p>When programming MTP, rewrite each I<sup>2</sup>C register (0x00 to 0x10), even if keeping the same values as before.</p>

### 2. REG 0x11 System

NAME	BITS	DESCRIPTION
MTP Program Password	D[7:0]	To access the MTP_PROGRAM bit, the correct password should be entered into this register.

### 3. REG 0x12 Status

NAME	BITS	DESCRIPTION	
PG1	D[7]	Power good indicator for buck 1. 1: power is good 0: power is not good	These bits always reflect the current state of the device.
PG2	D[6]	Power good indicator for buck 2.	
PG3	D[5]	Power good indicator for buck 3.	
PG4	D[4]	Power good indicator for buck 4.	
OT Warning	D[3]	Die temperature early warning bit. When the bit is high, the die temperature is higher than 120°C.	
OT Protection	D[2]	Over-temperature condition indication. When the bit is high, the IC is in thermal shutdown.	

### 4. REG 0x13 System

NAME	BITS	DESCRIPTION
Checksum Flag	D[3]	<p>D[3] = 1: the current MTP page has a CRC or checksum error. D[3] = 0: the current MTP'S data passes the CRC check.</p> <p>The checksum flag only works after MTP has been programmed. For a part that has never been MTP-programmed (new part), this bit is always high.</p>
Current MTP Page Index	D[2:0]	<p>D[2:0] stores the current MTP page index information.</p> <p>000: default page. There are three pages that can be used. 001: 1st page 011: 3rd page</p>

### I<sup>2</sup>C Bus Slave Address

The slave address is seven bits followed by an eighth data direction bit (read or write). There are two ways to program the I<sup>2</sup>C slave address:

1. Use an external GPIO when it is configured as an ADD pin. In this way, the I<sup>2</sup>C slave address is decided by both ADD and the I<sup>2</sup>C register setting.
2. Use the I<sup>2</sup>C/MTP register to set the I<sup>2</sup>C slave address. When the external GPIO is set to a non-ADD function, the I<sup>2</sup>C slave address is fully controlled by the I<sup>2</sup>C/MTP register setting.

### Use ADD to Set I<sup>2</sup>C Slave Address

If GPIO is configured as an ADD pin, then it can be used to program four different slave addresses. A resistor divider from VCC to GND can achieve an accurate reference voltage. Connect ADD to this reference voltage to set different I<sup>2</sup>C addresses. The internal circuit changes the I<sup>2</sup>C address accordingly. Under this control method, the lower two bits of the I<sup>2</sup>C address are determined by the ADD voltage (bits A1 and A2), and the higher three bits (A3, A4, and A5) are determined by the I<sup>2</sup>C/MTP register setting. Table 1 shows the four voltage thresholds for four I<sup>2</sup>C addresses and recommended setting resistors.

**Table1: I<sup>2</sup>C Slave Address Set by ADD Voltage (with I<sup>2</sup>C Address Software Default Setting)**

ADD Voltage	ADD Upper Resistor R1 (kΩ)	ADD Lower Resistor R2 (kΩ)	I <sup>2</sup> C Address	
			Binary	Hex
<20%Vcc	No connection	100	1101 000	68H
33%Vcc-45%Vcc	500	300	1101 001	69H
56%Vcc-71%Vcc	300	500	1101 010	6AH
>80%Vcc	100	No connection	1101 011	6BH

### Use I<sup>2</sup>C or MTP to set I<sup>2</sup>C Slave Address

When the external GPIO is set to a non-ADD function, the MP5470 can still offer a programmable I<sup>2</sup>C slave address via the I<sup>2</sup>C or MTP. The I<sup>2</sup>C register REG0D D[4:0] or MTP

register REG4D D[4:0] can program the A5, A4, A3, A2, and A1 bits (see Table 2).

\* These bits are programmable by the MTP e-Fuse or I<sup>2</sup>C register. The higher two bits (A7 and A6) are fixed to 1 internally.

**Table 2: I<sup>2</sup>C Slave Address Set by I<sup>2</sup>C/MTP Register Setting**

	A7	A6	A5	A4	A3	A2	A1
Setting Value	1	1	0*	1*	0*	0*	0*

By default, the slave address is 0x68, A[7:1] = 1101 000.

When the I<sup>2</sup>C register's slave address bits are changed, the new address takes effect immediately. The I<sup>2</sup>C master should use a new slave address to continue communication.

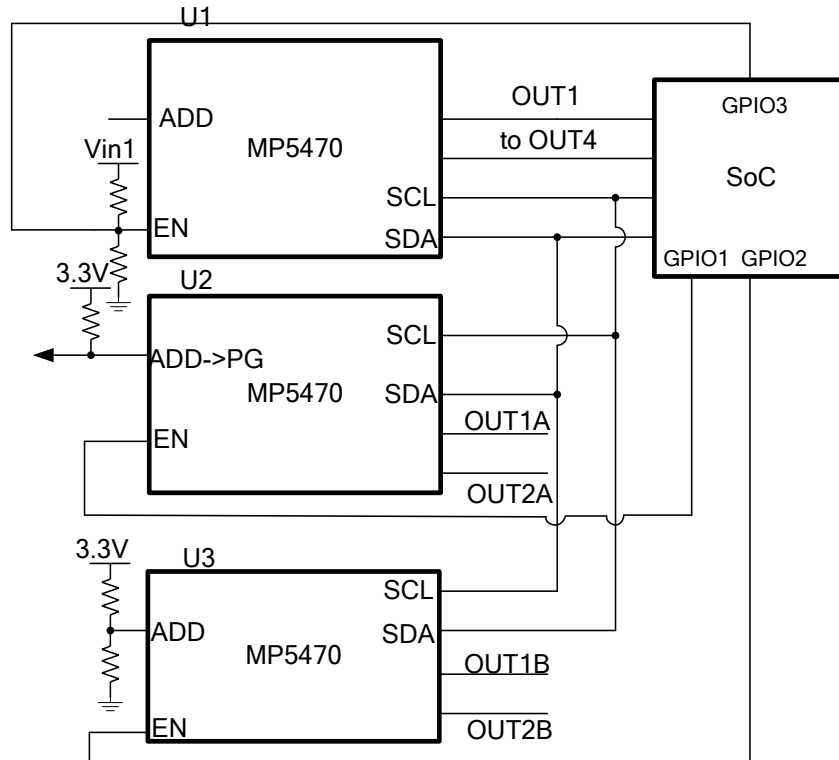
### Example of a Three-Piece MP5470 Application in One System

Figure 7 shows a system-level block diagram using three MP5470 devices. From U1 to U3, the GPIO pin is configured as ADD to set different I<sup>2</sup>C slave addresses.

During the initial input power-up, U1's EN/SYNCl pin is pulled up automatically, enabling the OUT1 and OUT4 outputs. U2 and U3's buck regulators are off by default by pulling the EN pins to ground. SoC gets basic power from OUT1 and OUT4 before its I<sup>2</sup>C master block can begin working. SoC checks U1 to U3's I<sup>2</sup>C register values and configures them to the correct one if needed. The I<sup>2</sup>C register value is saved to the MTP. Afterward, the SoC GPIO1 and GPIO2 output a high signal to enable U2 and U3. The rest of the U1 to U3 power rails are turned on sequentially.

The SoC can write the register MTP revision number to mark that the MP5470 has been programmed. At the next input start-up, SoC reads the MTP revision number bit to check if it equals the correct value or not. SoC checks the page index and CRC flag as well. If there are no errors, SoC enters normal boot mode; otherwise, SoC reprograms the MTP.

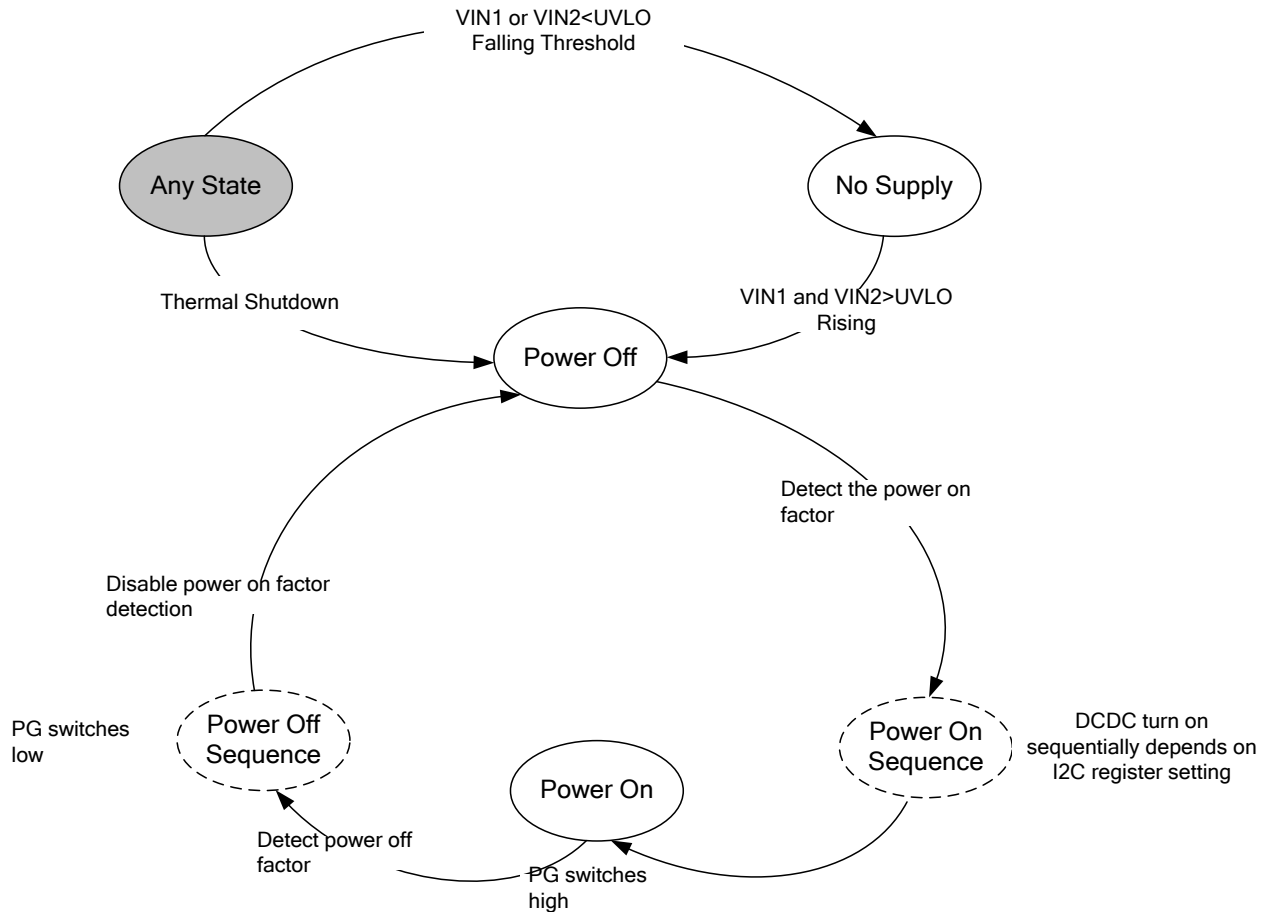
If U2's GPIO pin is changed from ADD to PG, the I<sup>2</sup>C slave address changes to the I<sup>2</sup>C register's value automatically. To complete PG and ADD's external component connection, pull GPIO up with a resistor to VCC or 3.3V.



**Figure 7: Multiple PMIC Usage in One System**

## POWER CONTROL

### State Machine Diagram of Buck Switchers



**Figure 8: Power Control State Machine Diagram**

#### State Machine Description

The state machine has the following statuses:

##### **No Supply**

The PMIC's input pin has a UVLO detection circuit. If the input voltage (VIN1) is lower than the UVLO rising threshold, all of the PMIC's functions are disabled. If VIN2 is lower than the UVLO rising threshold, buck 2 and buck 3 are disabled.

##### **Power Off**

All buck regulators are turned off. In this state, the I<sup>2</sup>C and MTP are still active and the PMIC is always monitoring the power-on factor. Once the power-on factor is detected, the state changes to the power-on sequence.

##### **Power-On Sequence**

Buck 1 to buck 4 turns on sequentially according to the order programmed by the MTP e-Fuse. If the power-off factor is detected during the power-on sequence, the PMIC changes back to the power-off state.

##### **Power-On**

Buck 1 to buck 4 are turned on. The PG output switches high. In this state, the PMIC monitors the power-off factor continuously.

##### **Power-Off Sequence**

The PMIC changes to this state when it detects the power-off factor in the power-on state. Buck 1 to buck 4 either turn off sequentially in the reverse order of the power-on sequence or turn off at the same time depending on the setting of the Shutdown\_Delay\_EN bit.

### Power-On Factor

The PMIC has the following power-on factors:

#### EN/SYNCI Pin

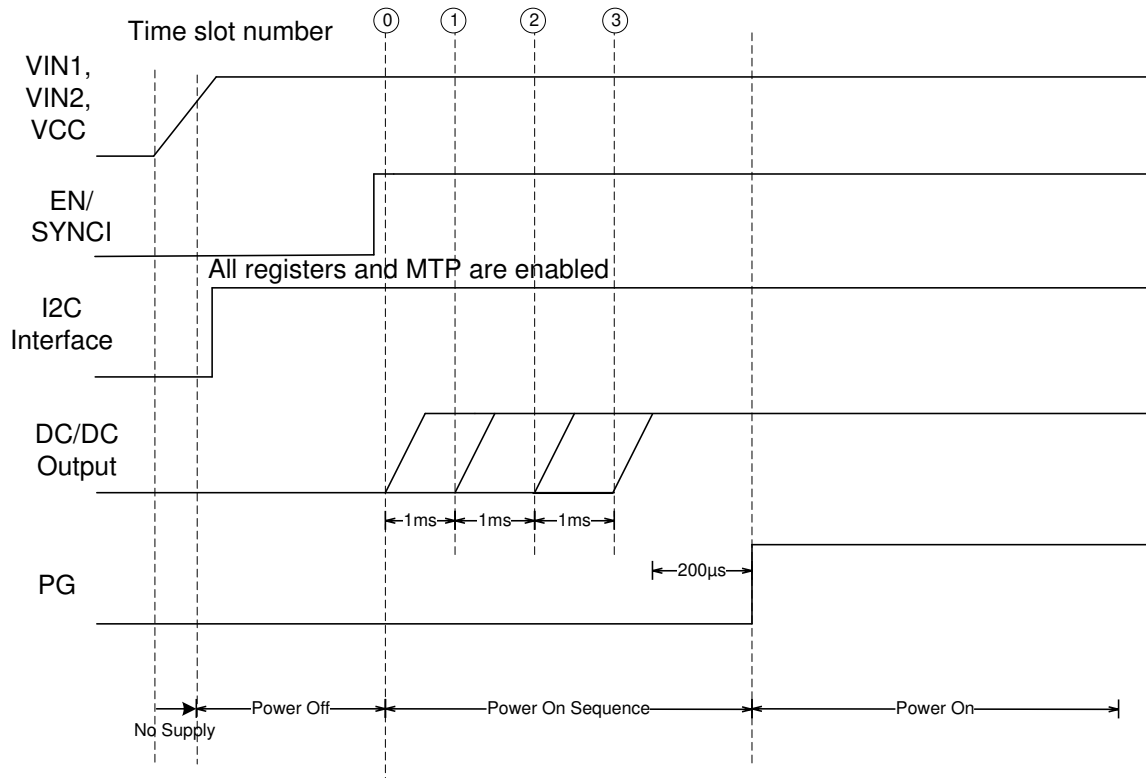
If EN/SYNCI pulls high, the system changes from the power-off state to the power-on sequence. The related EN bit determines each buck's on or off state.

### Thermal Recovery

If the MP5470 is in a power-off state due to the die's temperature exceeding the thermal protection threshold, the PMIC enters the power-on sequence again when the die's temperature decreases.

### Power-On Sequence

There are four slots for power-on sequence timing. All buck regulators can be programmed to the power-on time slots 0 to 3 by the MTP e-Fuse (see Figure 9).



**Figure 9: Power-On Sequence**

### Buck Regulator Turn-On

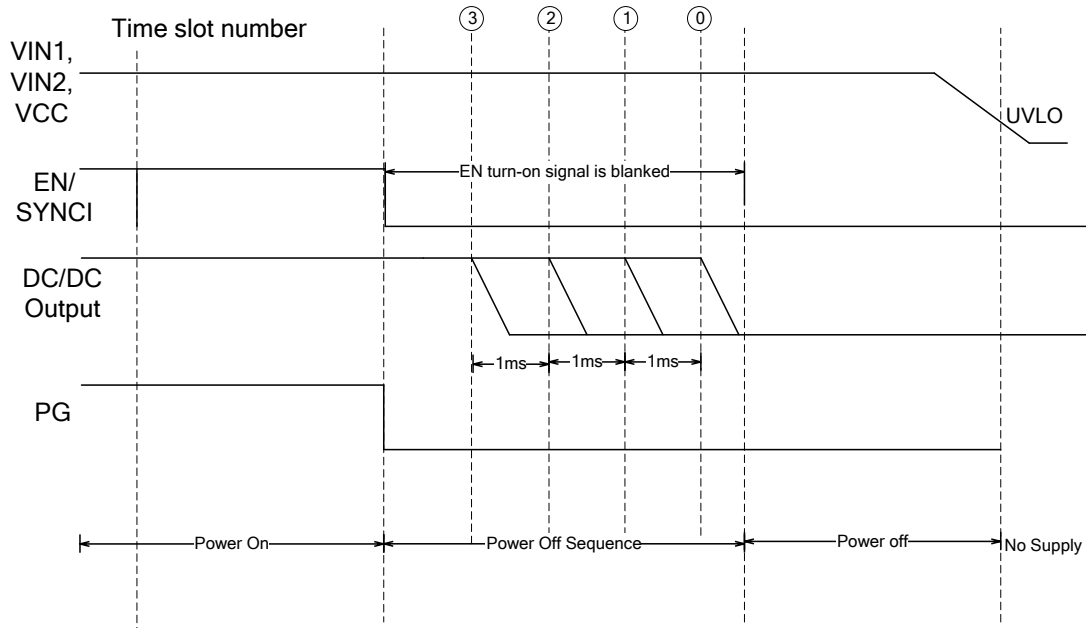
The MP5470 provides a programmable power-on sequence. The MTP configuration table has bits to set the time slot number (start-up delay timer) for each channel. The default power-on sequence is shown in the default MTP configuration table.

### Power-Off Factor

#### EN/SYNCI – Hardware-Initiated Power-Off

The MP5470 supports a controlled power-off through the EN/SYNCI pin. When EN/SYNCI is pulled low, the system enters the power-off sequence.



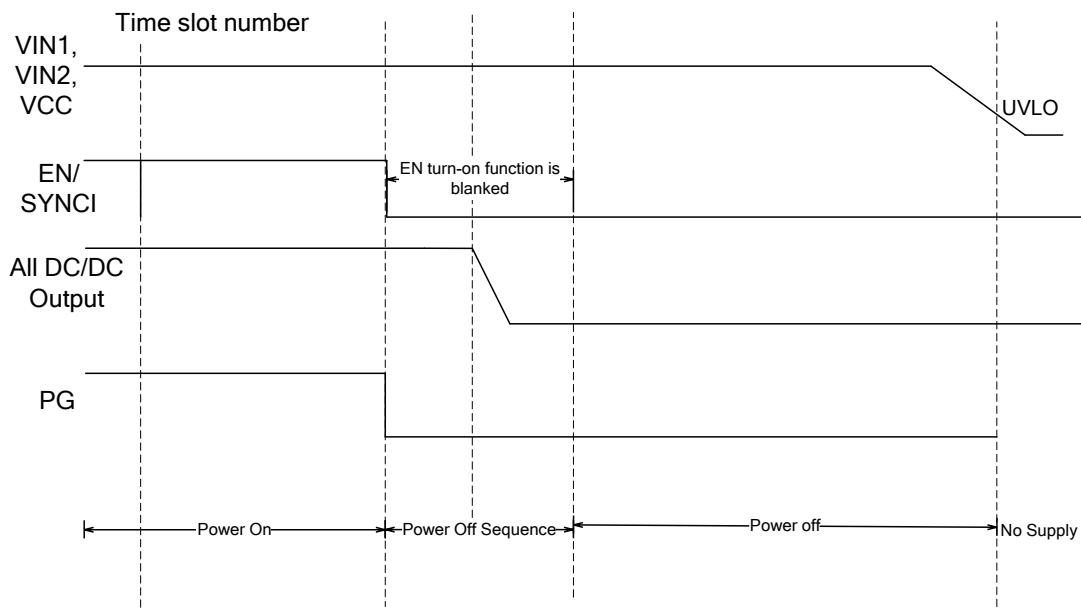
**Power-Off Sequence**

**Figure 10: Power-Off Sequence when Shutdown\_Delay\_EN = 1**

PG is pulled low before the DC/DC output starts turning off. The DC/DC output power-off sequence is the reverse order of the power-on sequence when `Shutdown_Delay_EN` is set to 1 (see Figure 10).

To discharge the output voltage fully, the EN/SYNCI signal is blanked during the power-off sequence period. Within this power-off

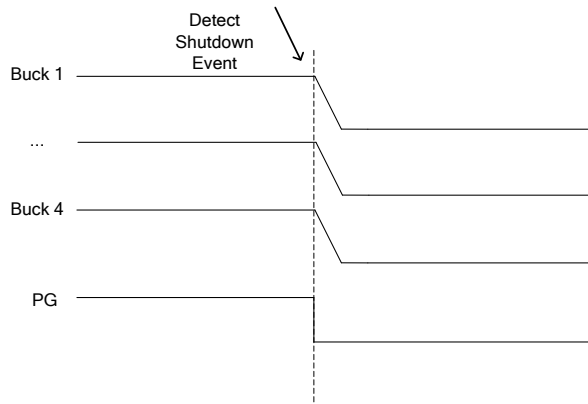
sequence period, the MP5470 continues working in output discharge mode regardless of whether the external EN/SYNCI pin is pulled high or low.

All the DC/DC outputs power off at the same time when `Shutdown_Delay_EN` is set to 0 (see Figure 11).


**Figure 11: Power-Off Sequence when Shutdown\_Delay\_EN = 0**

### Shutdown Sequence

When the input voltage is lower than the UVLO falling threshold or the IC is over temperature, the PMIC enters the shutdown sequence directly. All of the bucks turn off at the same time (see Figure 12).



**Figure 12: Shutdown Sequence**

### Thermal Warning and Shutdown

Thermal warning and shutdown prevent the part from operating at exceedingly high temperatures. When the silicon die temperature exceeds 120°C, the MP5470 sets the OT WARNING bit to 1.

If the die temperature exceeds 160°C, the system enters the shutdown sequence. When the temperature recovers to 140°C, the regulator enters the power-on sequence.

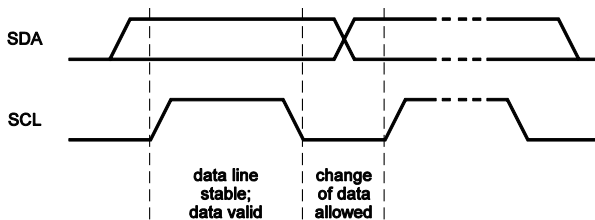
## I<sup>2</sup>C INTERFACE

### I<sup>2</sup>C Serial Interface Description

The I<sup>2</sup>C is a 2-wire, bidirectional serial interface, consisting of a data line (SDA) and a clock line (SCL). The lines are pulled to a bus voltage externally when they are idle. When connected to the line, a master device generates the SCL signal and device address and arranges the communication sequence. The MP5470 interface is an I<sup>2</sup>C slave. The I<sup>2</sup>C interface adds flexibility to the power supply solution. The output voltage, transition slew rate, or other parameters can be controlled by the I<sup>2</sup>C interface instantaneously.

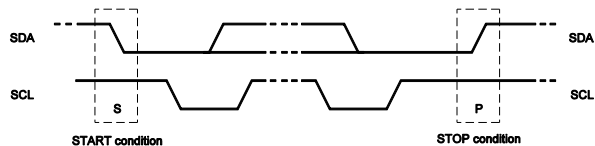
### Data Validity

One clock pulse is generated for each data bit transferred. The data on the SDA line must be stable during the high period of the clock. The high or low state of the data line can only change when the clock signal on the SCL line is low (see Figure 13).



**Figure 13: Bit Transfer on the I<sup>2</sup>C Bus**

Start and stop are signaled by the master device, which signifies the beginning and the end of the I<sup>2</sup>C transfer. The start condition is defined as the SDA signal transitioning from high to low while the SCL is high. The stop condition is defined as the SDA signal transitioning from low to high while the SCL is high (see Figure 14).



**Figure 14: START and STOP Conditions**

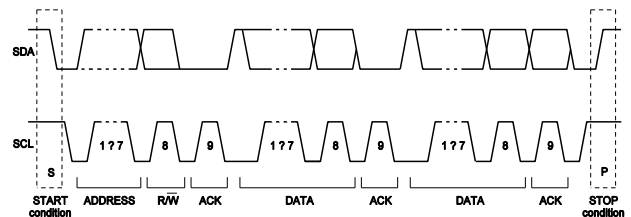
Start and stop conditions are always generated by the master. The bus is considered to be busy after the start condition. The bus is considered free again after a minimum of 4.7μs passes after the stop condition. The bus remains busy if a repeated start (Sr) is

generated instead of a stop condition. The start (S) and repeated start (Sr) conditions are functionally identical.

### Transfer Data

Every byte put on the SDA line must be eight bits long. Each byte must be followed by an acknowledge bit. The acknowledge-related clock pulse is generated by the master. The transmitter releases the SDA line (high) during the acknowledge clock pulse. The receiver must pull down the SDA line during the acknowledge clock pulse so that it remains stable low during the high period of this clock pulse.

Data transfers follow the format shown in Figure 15. After the start condition (S), a slave address is sent. This address is seven bits long followed by an eighth data direction bit (r/w). A zero indicates a transmission (write), and a one indicates a request for data (read). A data transfer is always terminated by a stop condition (P) generated by the master. However, if the master still wishes to communicate on the bus, it can generate a repeated start condition (Sr) and address another slave without first generating a stop condition.



**Figure 15: Complete Data Transfer**

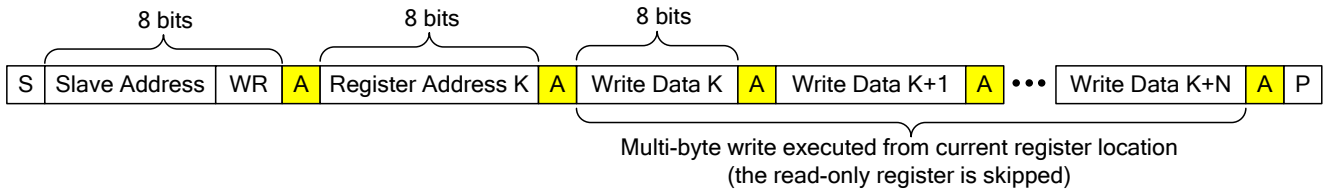
The MP5470 includes a full I<sup>2</sup>C slave controller. The I<sup>2</sup>C slave fully complies with the I<sup>2</sup>C specification requirements. It requires a start condition, a valid I<sup>2</sup>C address, a register address byte, and a data byte for a single data update. The MP5470 acknowledges the receipt of each byte by pulling the SDA line low during the high period of a single clock pulse. A valid I<sup>2</sup>C address selects the MP5470. The MP5470 performs an update on the falling edge of the LSB byte.

Examples of an I<sup>2</sup>C write and read sequence are shown below.



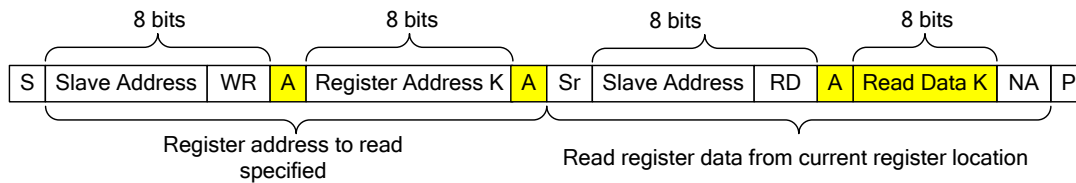
<input type="checkbox"/>	Master to Slave	A = Acknowledge (SDA = LOW)	S = Start Condition	WR Write = 0
<input checked="" type="checkbox"/>	Slave to Master	NA = NOT Acknowledge (SDA = HIGH)	P = Stop Condition	RD Read = 1

### I<sup>2</sup>C Write Example – Write Single Register



<input type="checkbox"/>	Master to Slave	A = Acknowledge (SDA = LOW)	S = Start Condition	WR Write = 0
<input checked="" type="checkbox"/>	Slave to Master	NA = NOT Acknowledge (SDA = HIGH)	P = Stop Condition	RD Read = 1

### I<sup>2</sup>C Write Example – Write Multi Register



<input type="checkbox"/>	Master to Slave	A = Acknowledge (SDA = LOW)	S = Start Condition	Sr = Repeat Start Condition	WR Write = 0
<input checked="" type="checkbox"/>	Slave to Master	NA = NOT Acknowledge (SDA = HIGH)	P = Stop Condition		RD Read = 1

### I<sup>2</sup>C Read Example – Read Single Register

## APPLICATION INFORMATION

### Selecting the Inductor

For most applications, use a 0.47μH to 3.3μH inductor with a DC current rating at least 25% higher than the maximum load current. For the highest efficiency, use an inductor with a DC resistance less than 15mΩ. For most designs, the inductance value can be derived with Equation (2):

$$L_1 = \frac{V_{OUT} \times (V_{IN} - V_{OUT})}{V_{IN} \times \Delta I_L \times f_{OSC}} \quad (2)$$

Where  $\Delta I_L$  is the inductor ripple current.

Choose an inductor ripple current that is approximately 30% of the maximum load current. The maximum inductor peak current can be calculated with Equation (3):

$$I_{L(MAX)} = I_{LOAD} + \frac{\Delta I_L}{2} \quad (3)$$

Use a larger inductor for improved efficiency under light-load conditions.

### Selecting the Input Capacitor

The input current to the step-down converter is discontinuous and therefore requires a capacitor to supply AC current to the step-down converter while maintaining the DC input voltage. Low ESR ceramic capacitors with X5R or X7R dielectrics are recommended for best results because of their low ESR and small temperature coefficients. For most applications, use a 10 or 22μF capacitor for VIN1, and a 10 or 22μF capacitor for VIN2.

Since C1 absorbs the input switching current, it requires an adequate ripple current rating. The RMS current in the input capacitor can be estimated with Equation (4):

$$I_{C1} = I_{LOAD} \times \sqrt{\frac{V_{OUT}}{V_{IN}} \times \left(1 - \frac{V_{OUT}}{V_{IN}}\right)} \quad (4)$$

The worst-case condition occurs at  $V_{IN} = 2V_{OUT}$ , shown in Equation (5):

$$I_{C1} = \frac{I_{LOAD}}{2} \quad (5)$$

For simplification, choose an input capacitor with an RMS current rating greater than half of the maximum load current.

The input capacitor can be electrolytic, tantalum, or ceramic. When using electrolytic or tantalum capacitors, add a small, high-quality ceramic capacitor (e.g. 0.1μF) placed as close to the IC as possible. When using ceramic capacitors, ensure that they have enough capacitance to provide a sufficient charge to prevent an excessive voltage ripple at the input. The input voltage ripple caused by the capacitance can be estimated with Equation (6):

$$\Delta V_{IN} = \frac{I_{LOAD}}{f_s \times C1} \times \frac{V_{OUT}}{V_{IN}} \times \left(1 - \frac{V_{OUT}}{V_{IN}}\right) \quad (6)$$

### Selecting the Step-Down Regulator

#### Output Capacitor

The output capacitor for the step-down regulator maintains the DC output voltage. Use ceramic, tantalum, or low ESR electrolytic capacitors. For best results, use low ESR capacitors to keep the output voltage ripple low. The output voltage ripple can be estimated with Equation (7):

$$\Delta V_{OUT} = \frac{V_{OUT}}{f_s \times L_1} \times \left(1 - \frac{V_{OUT}}{V_{IN}}\right) \times \left(R_{ESR} + \frac{1}{8 \times f_s \times C2}\right) \quad (7)$$

Where  $L_1$  is the inductor value, and  $R_{ESR}$  is the equivalent series resistance (ESR) value of the output capacitor.

For ceramic capacitors, the capacitance dominates the impedance at the switching frequency, and the capacitance causes the majority of the output voltage ripple. For simplification, the output voltage ripple can be estimated with Equation (8):

$$\Delta V_{OUT} = \frac{V_{OUT}}{8 \times f_s^2 \times L_1 \times C2} \times \left(1 - \frac{V_{OUT}}{V_{IN}}\right) \quad (8)$$

For tantalum or electrolytic capacitors, the ESR dominates the impedance at the switching frequency. For simplification, the output ripple can be approximated with Equation (9):

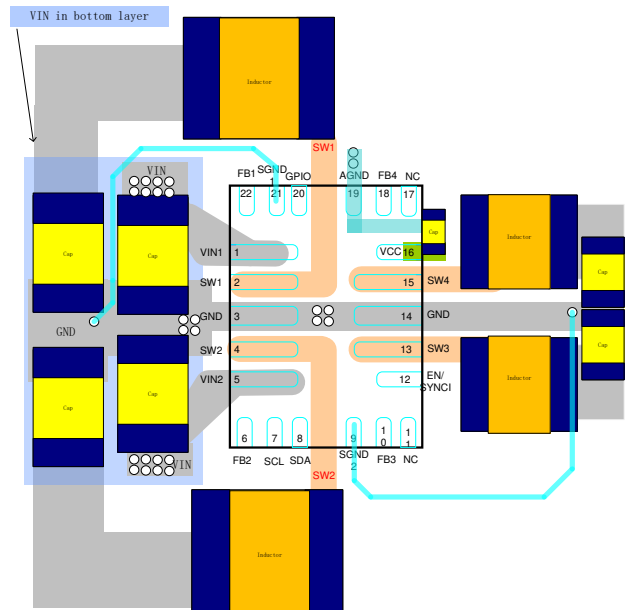
$$\Delta V_{OUT} = \frac{V_{OUT}}{f_s \times L_1} \times \left(1 - \frac{V_{OUT}}{V_{IN}}\right) \times R_{ESR} \quad (9)$$

The characteristics of the output capacitor also affect the stability of the regulation.

**PCB Layout Guidelines <sup>(11)</sup>**

Efficient PCB layout is critical for stable operation. For best results, refer to Figure 16 and follow the guidelines below.

1. Connect the input ground to the GND pin using the shortest and widest trace possible.
2. Connect the input capacitor to the VIN pin using the shortest and widest trace possible.
3. Ensure that all feedback connections are short and direct.
4. Place the feedback resistors and compensation components as close to the chip as possible.
5. Route SW away from sensitive analog areas, such as FB.
6. Place the VCC decoupling capacitor close to the VCC and AGND pins.



**Figure 16: Recommended Layout**

**NOTE:**

- 11) The recommended layout is based on the Typical Application Circuits shown on page 39.

## TYPICAL APPLICATION CIRCUITS

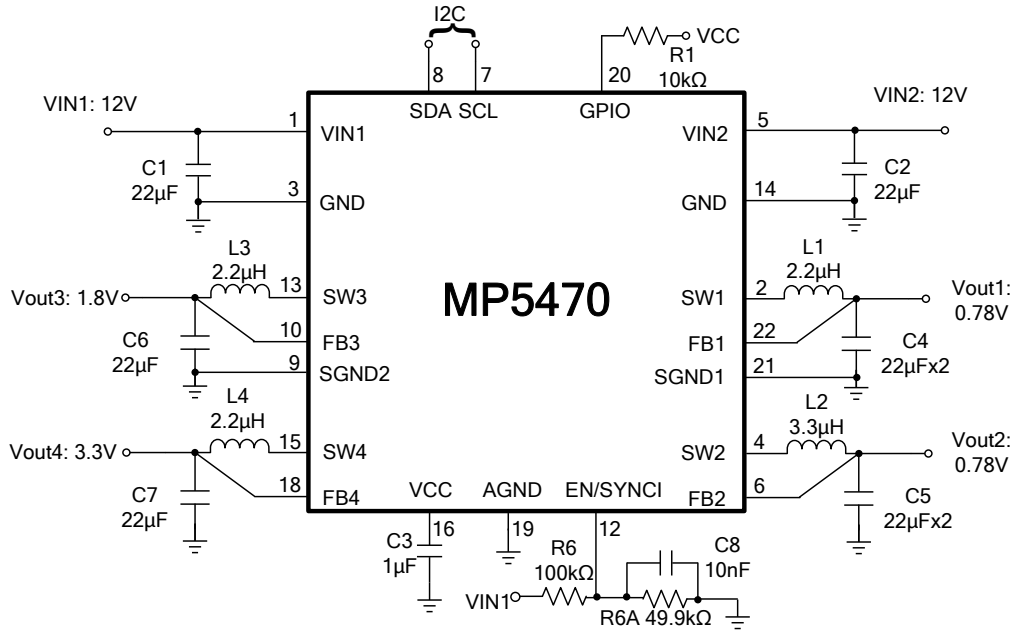


Figure 17: 12VIN Typical Application Circuit

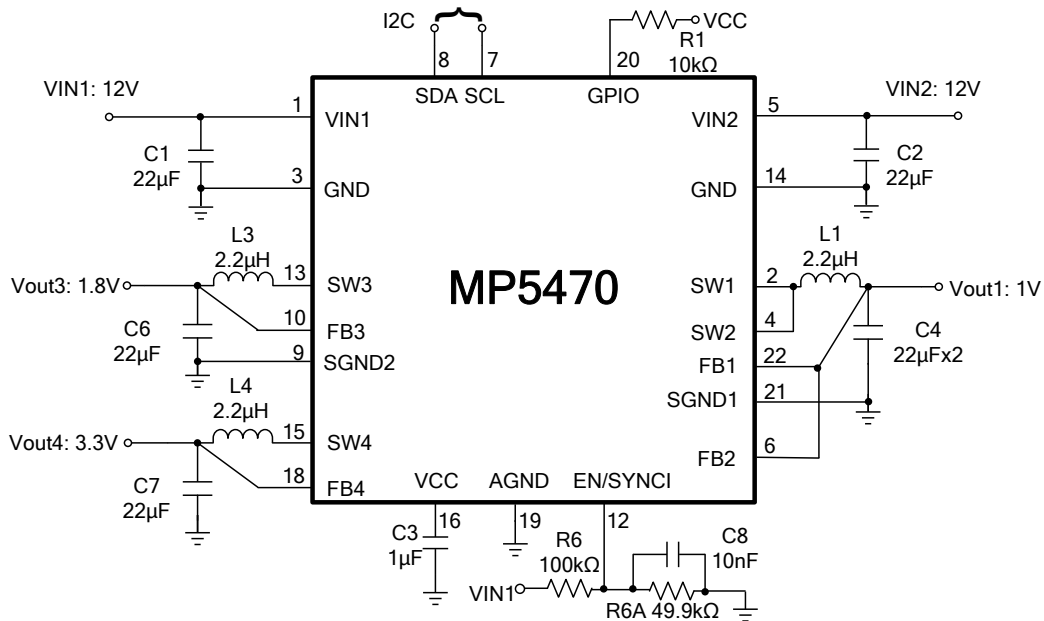
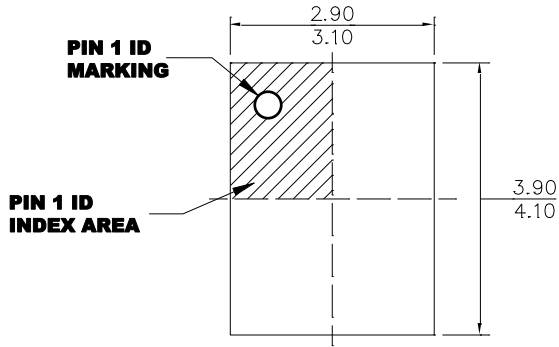


Figure 18: 12VIN, Buck 1 and Buck 2 Working in Parallel Mode to Provide Higher Output Current

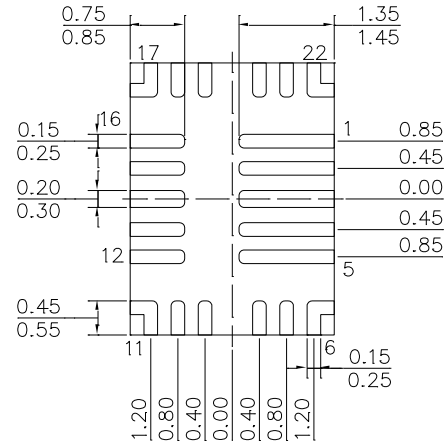
**NOTE:** Connect FB1 to FB2 for parallel mode feedback.

# PACKAGE INFORMATION

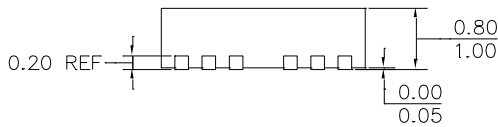
## QFN-22 (3mmx4mm)



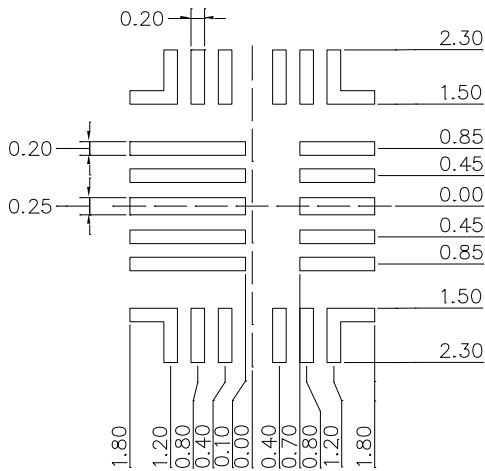
**TOP VIEW**



**BOTTOM VIEW**



**SIDE VIEW**



**RECOMMENDED LAND PATTERN**

**NOTE:**

- 1) ALL DIMENSIONS ARE IN MILLIMETERS.
- 2) LEAD COPLANARITY SHALL BE 0.08 MILLIMETERS MAX.
- 3) JEDEC REFERENCE IS MO-220.
- 4) DRAWING IS NOT TO SCALE.

**NOTICE:** The information in this document is subject to change without notice. Please contact MPS for current specifications. Users should warrant and guarantee that third party Intellectual Property rights are not infringed upon when integrating MPS products into any application. MPS will not assume any legal responsibility for any said applications.