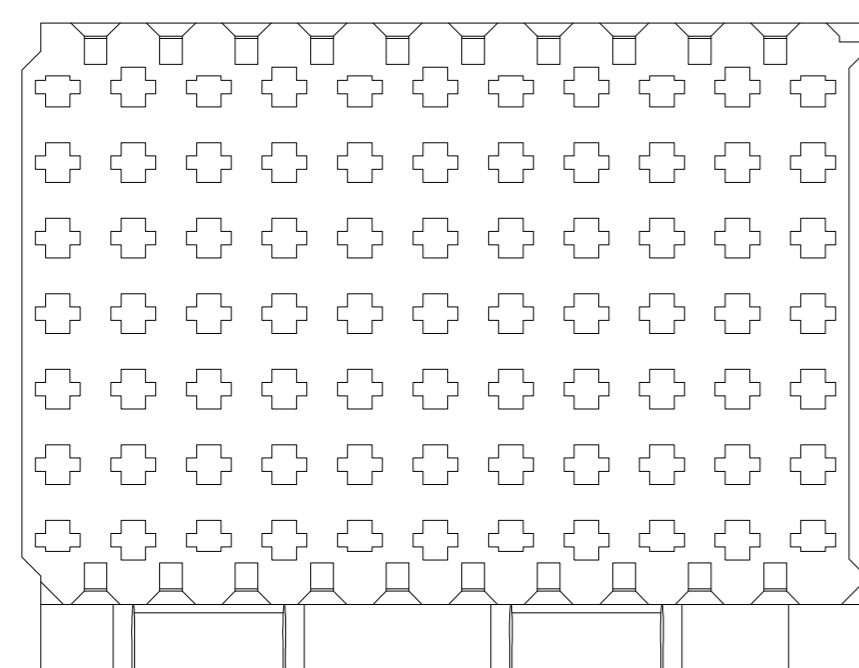
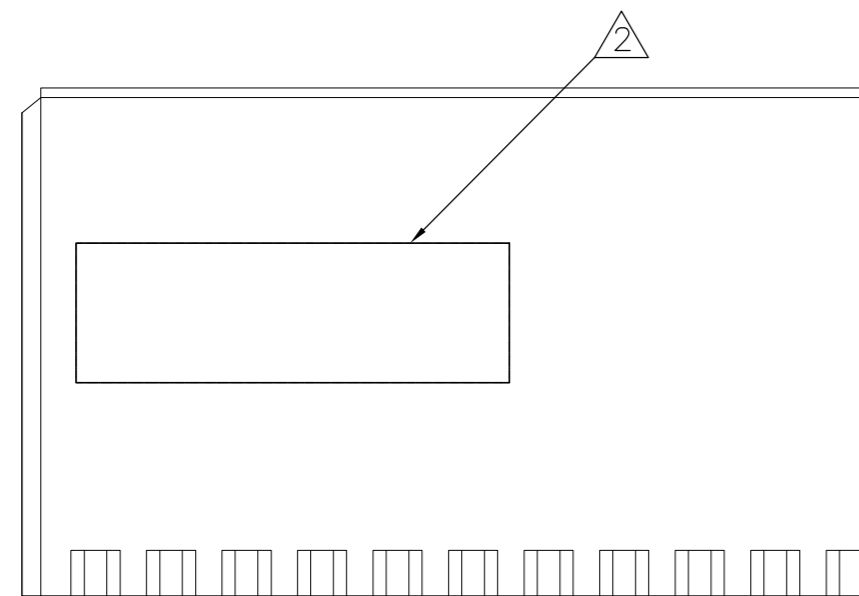
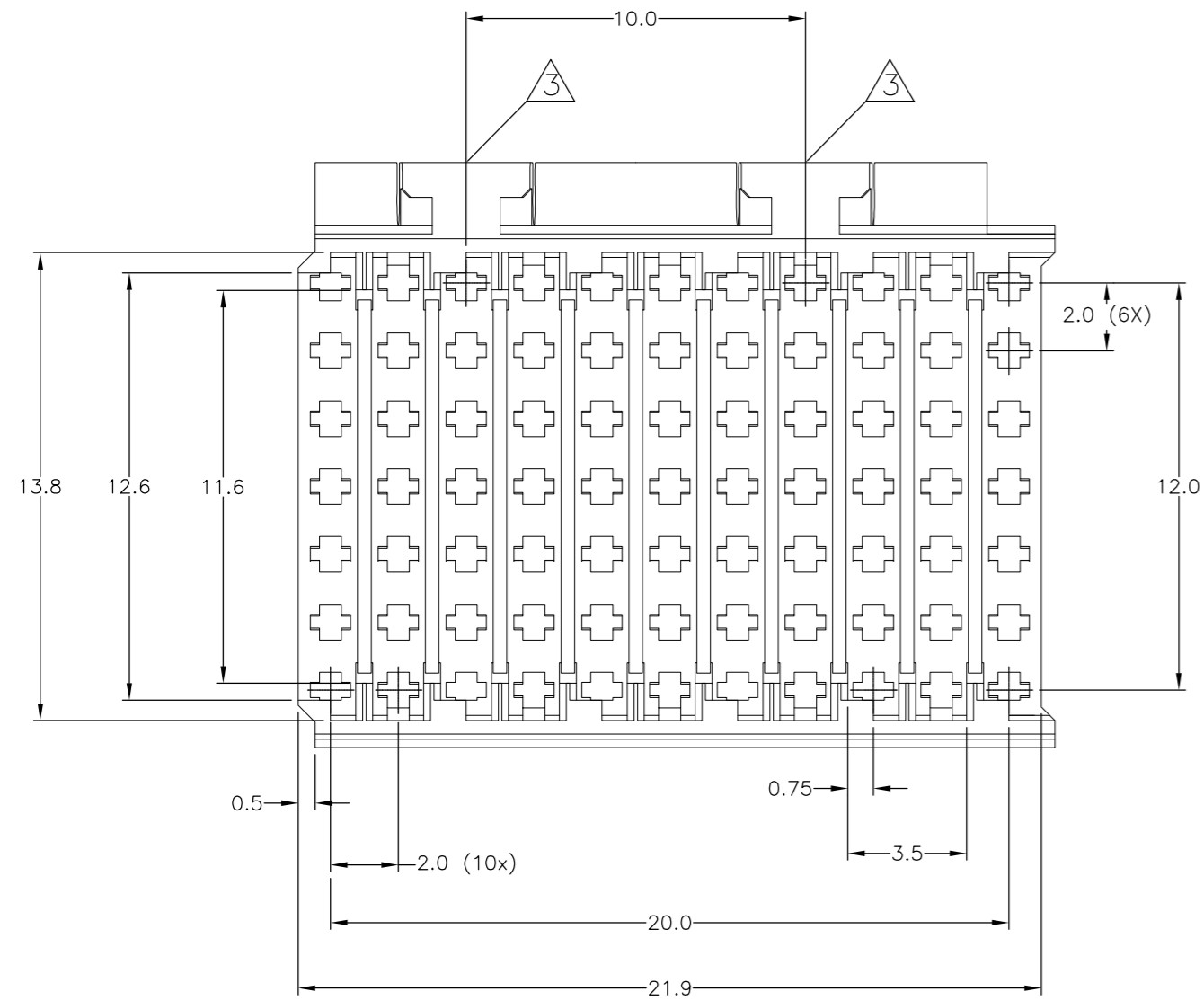


DO NOT SCALE  
DIMENSIONS IN mm

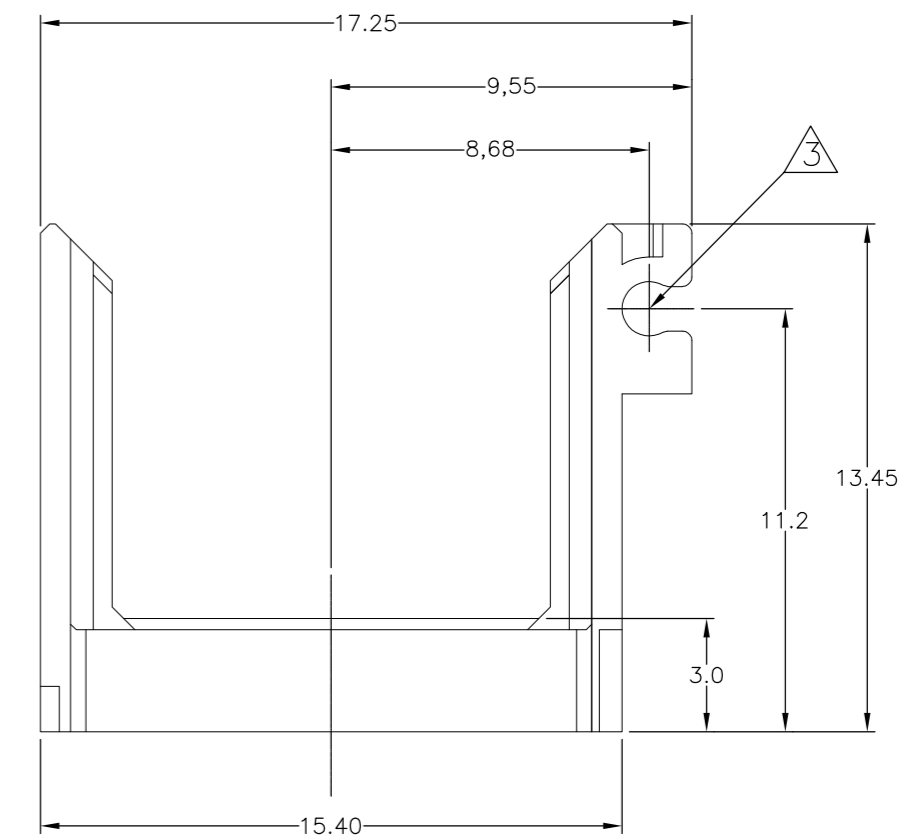
METRIC

THIRD ANGLE  
PROJECTION



NOTES:

- △ MATERIAL SHROUD: GLASS FILLED POLYCARBONAAT
- △ SHROUD PRINTED (AT OTHER SIDE) WITH P/N AND DATECODE
- △ FITS SNAP LATCH P/N 352706-1 (9.8mm width)
- 4 352674-2 AS SHOWN



352674-2	△	LIF CABLE CONNECTOR SHROUD 21,9mm			
PARTNUMBER	MATERIAL	DESCRIPTION			
-	-	-	-	-	CUSTOMER DRAWING FOR REFERENCE ONLY WILL NOT BE UPDATED
-	-	-	-	-	© COPYRIGHT 1998 BY AMP HOLLAND B.V. ALL INTERNATIONAL RIGHTS RESERVED. AMP PRODUCTS MAY BE COVERED BY U.S. AND FOREIGN AND/OR PATENTS PENDING.
-	-	-	-	-	THIS DRAWING IS UNPUBLISHED RELEASED FOR PUBLICATION
C	ECR-15-017390	WL	FY	8-DEC-15	Tyco Electronics Corp. Oostkamp, Belgium. NAME Z-PACK 2mm HM LIF CABLE CONNECTOR SHROUD 21,9mm
B	SR10-0163-03	DP	DP	02-JUN-03	
A	EH00-0979-98	WvdH	WvdH	24-11-99	
LTR.	REVISION RECORD	DR.	CHK.	DATE	
DR.: W.v.d.Heijden	CHK.: W.v.d.Heijden	APP.: F.v.Koningsbrugge	DWG.No.	REV.LTR.	SHEET
DATE: 25-05-99	DATE: 25-05-99	DATE: 24-11-99	C-352674	C	1 of 1

G  
F  
E  
D  
C  
B  
A