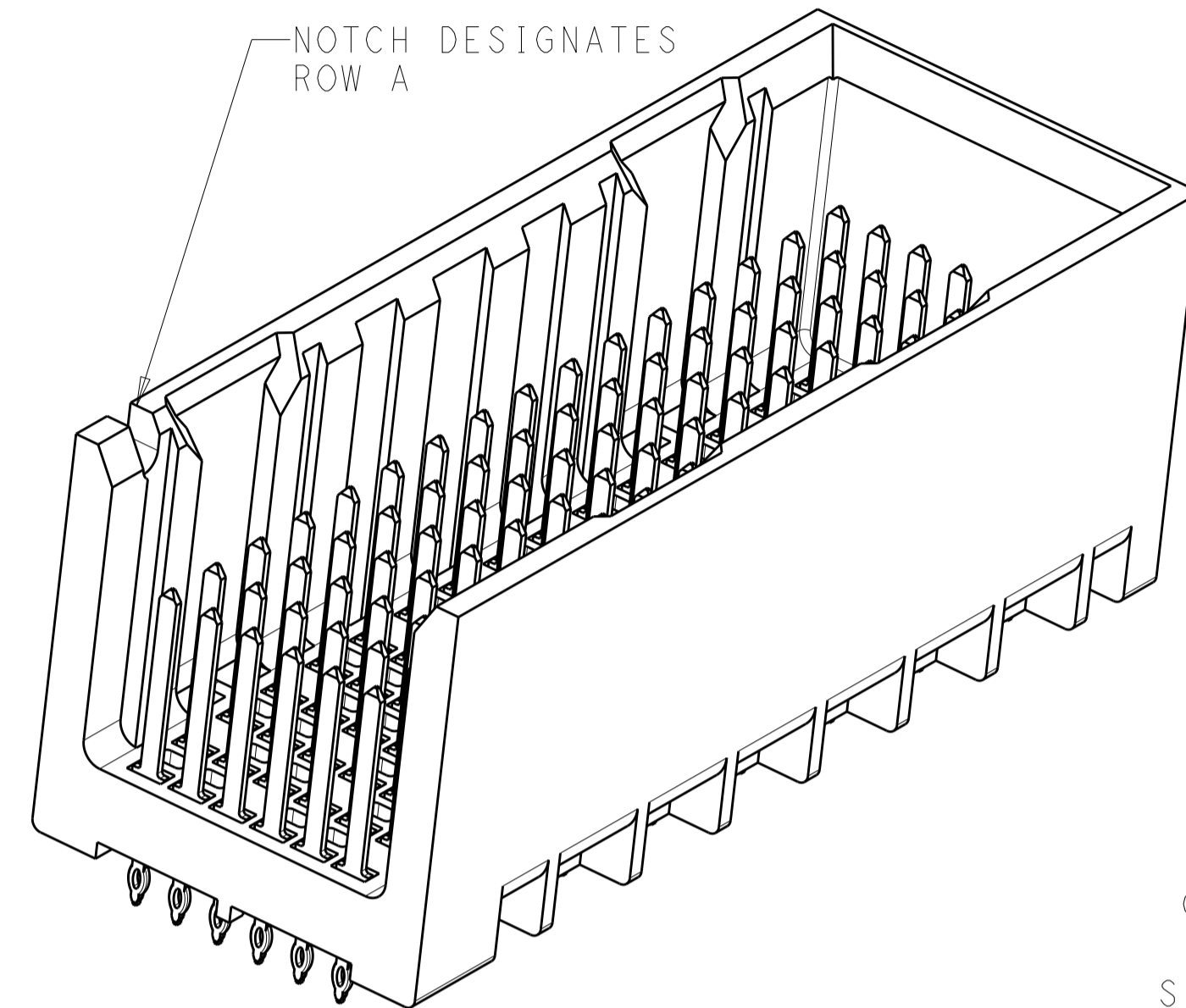
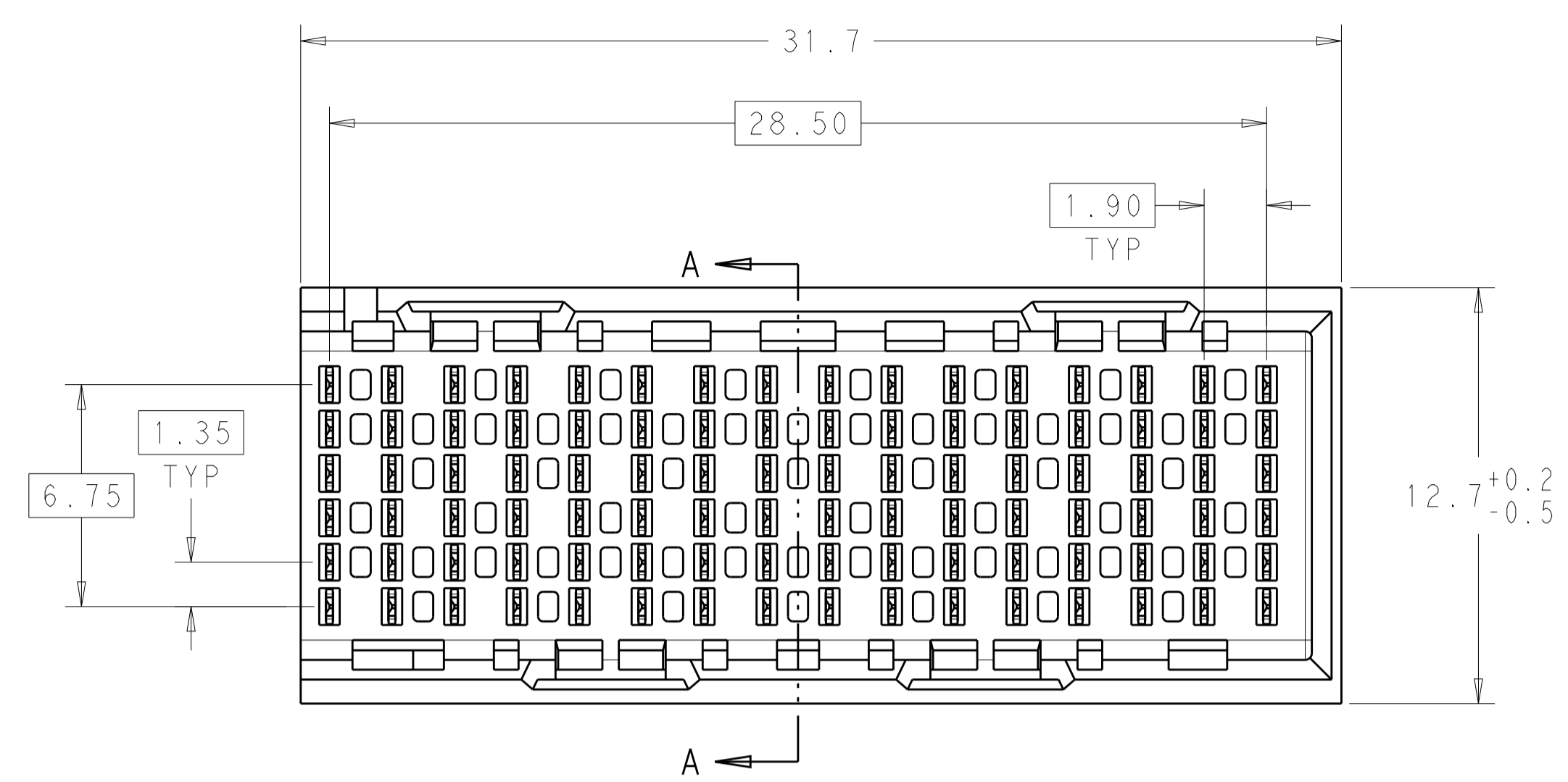
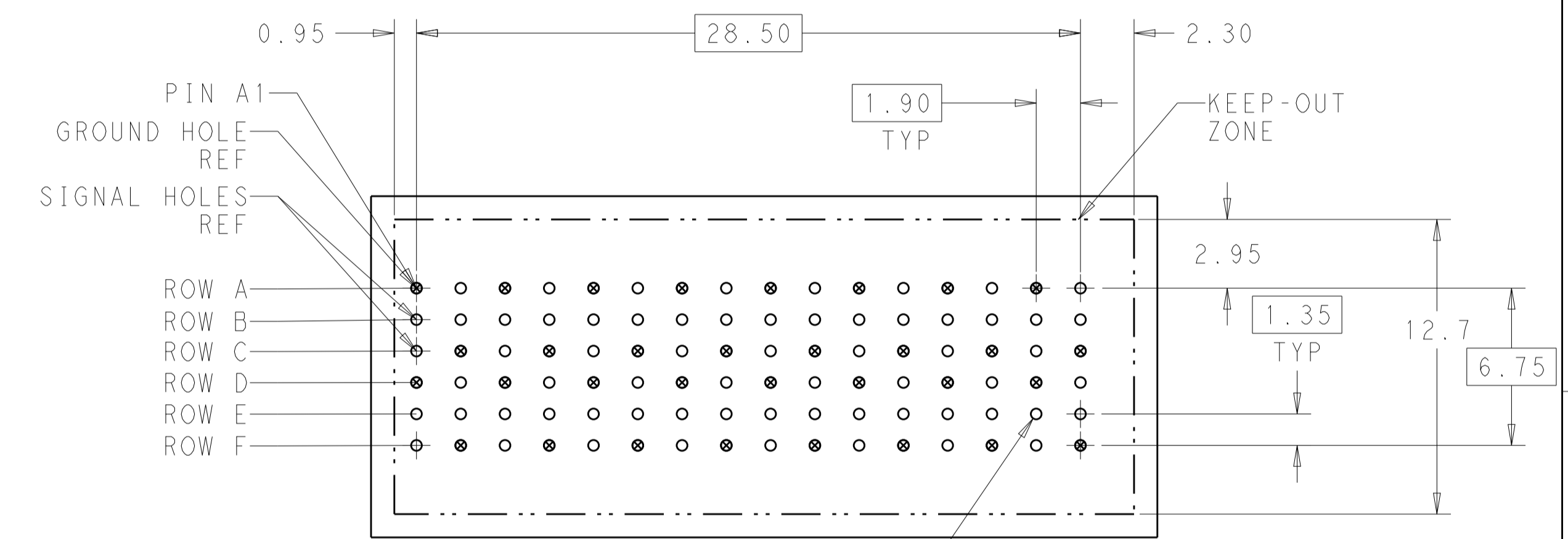


LOC		DIST		REVISIONS			
AD	00	P	LTH	DESCRIPTION	DATE	DWN	APVD
		B1		REVISED PER ECO-15-001498	02FEB2015	AP	DD



⚠ MATERIAL:
 HOUSING: LCP, GLASS FILLED, UL94V-0.
 TERMINALS: HIGH PERFORMANCE COPPER ALLOY.

⚠ FINISH:
 30μ" MIN GOLD IN CONTACT AREA. SELECTIVE TIN
 ON PCB TAILS, NICKEL OVERALL.

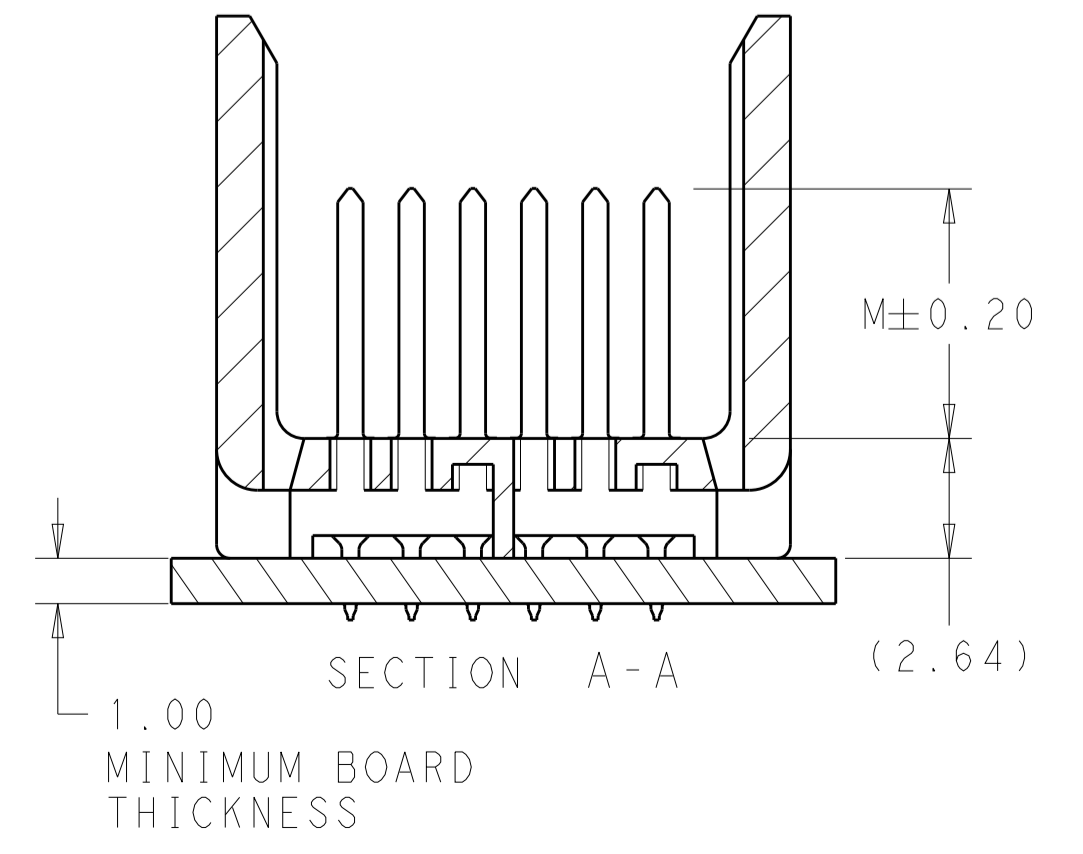
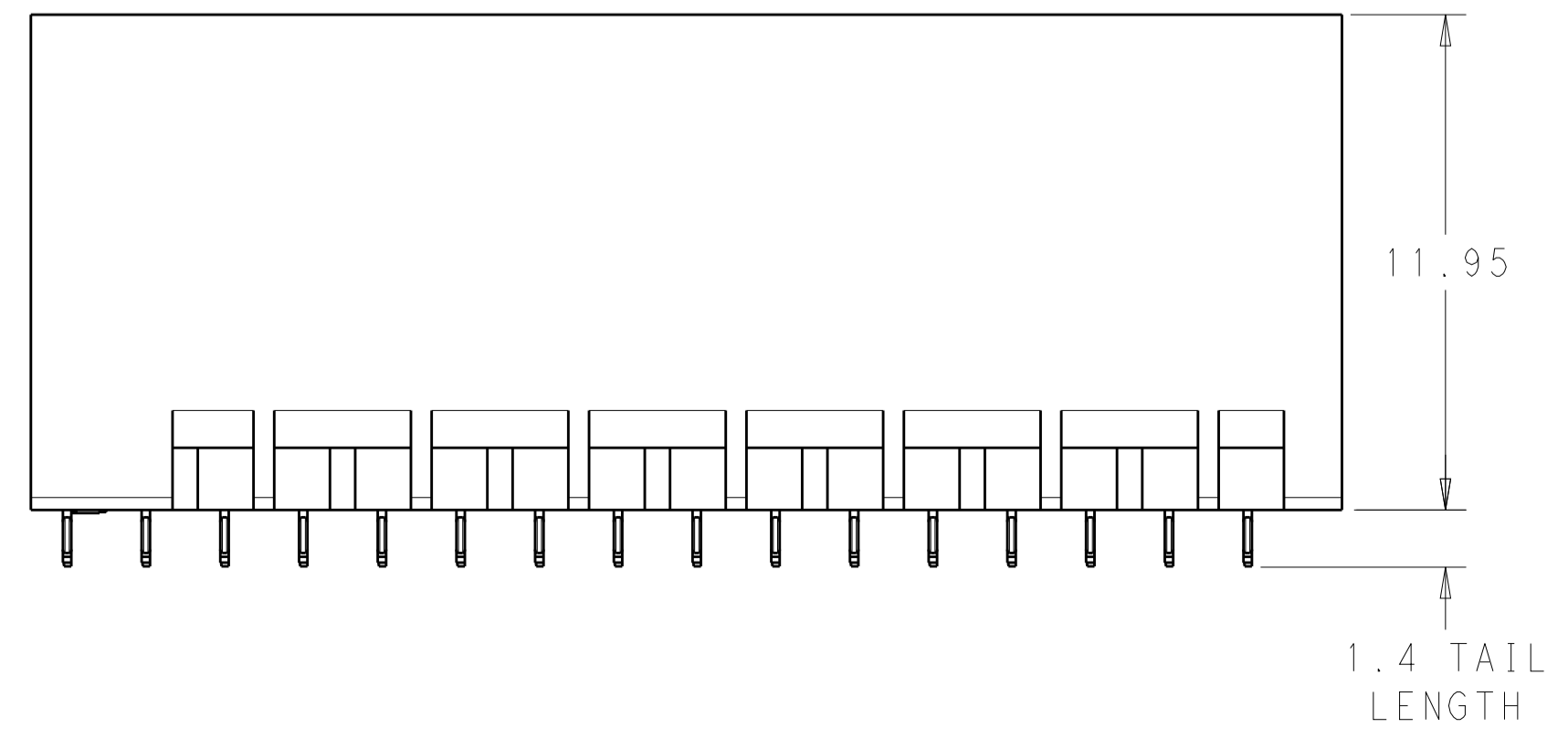


96X $\varnothing 0.46 \pm 0.05$
 PLATED THRU HOLE

96X $\varnothing 0.55 \pm 0.013$
 DRILL HOLE

$\varnothing 0.10$

UNGUIDED
 BACKPLANE HOLE PATTERN
 (CONNECTOR SIDE)



THIS DRAWING IS A CONTROLLED DOCUMENT.		DWN R. COELLO 27APR2011	TE Connectivity
DIMENSIONS: mm		CHK J. EARY 27APR2011	
TOLERANCES UNLESS OTHERWISE SPECIFIED: 0 PLC ± 1 PLC ±0.25 2 PLC ±0.13 3 PLC ± 4 PLC ± ANGLES ± FINISH SEE TABLE		APVD J. EARY 27APR2011	NAME IMPACT, 2 PAIR, 16 COLUMN, HEADER UNGUIDED, RIGHT END WALL SIGNAL MODULE, 0.46 PTH
MATERIAL		PRODUCT SPEC	SIZE A100779C=2057747
RESTRICTED TO		APPLICATION SPEC	Customer Drawing
SCALE 6:1		WEIGHT	SHEET 1 OF 2
REV B1			

THIS DRAWING IS UNPUBLISHED. RELEASED FOR PUBLICATION 20
 © COPYRIGHT 20 BY - ALL RIGHTS RESERVED.

LOC	DIST	REVISIONS					
		P	LTN	DESCRIPTION	DATE	DWN	APVD
AD	00	-	-	SEE SHEET 1	-	-	-

	5.5	2057747-3
	4.9	2057747-2
	4.5	2057747-1
FINISH	DIM M	PART NUMBER

REFER TO WWW.TE.COM
FOR PRODUCT AVAILABILITY

THIS DRAWING IS A CONTROLLED DOCUMENT.		DWN R. COELLO 27APR2011	
		CHK J. EARY 27APR2011	
DIMENSIONS:		APVD J. EARY 27APR2011	NAME IMPACT, 2 PAIR, 16 COLUMN, HEADER UNGUIDED, RIGHT END WALL SIGNAL MODULE, 0.46 PTH
TOLERANCES UNLESS OTHERWISE SPECIFIED:		PRODUCT SPEC	
mm	0 PLC ±	APPLICATION SPEC	SIZE CAGE CODE DRAWING NO RESTRICTED TO
	1 PLC ±0.25	WEIGHT	A100779C=2057747
	2 PLC ±0.13	Customer Drawing	SCALE 5:1 SHEET 2 OF 2 REV B1
	3 PLC ±		
	4 PLC ±		
	ANGLES ±		
MATERIAL	FINISH SEE TABLE		