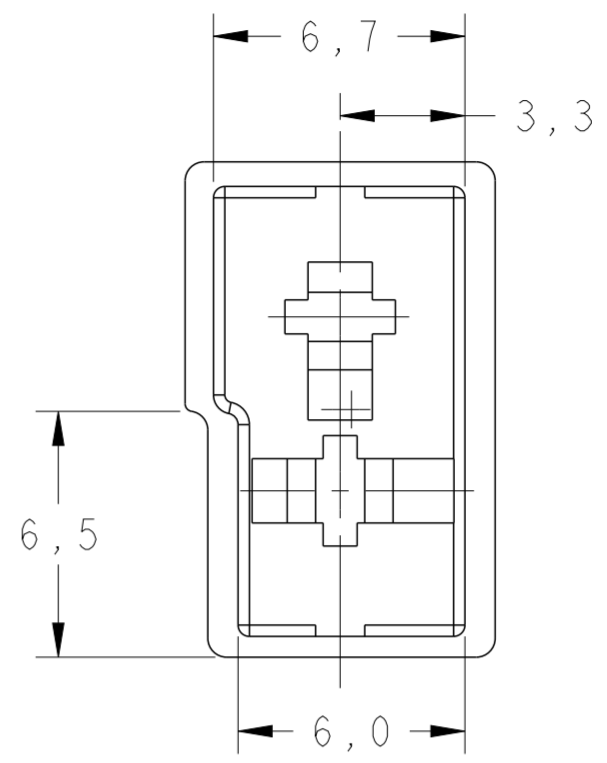
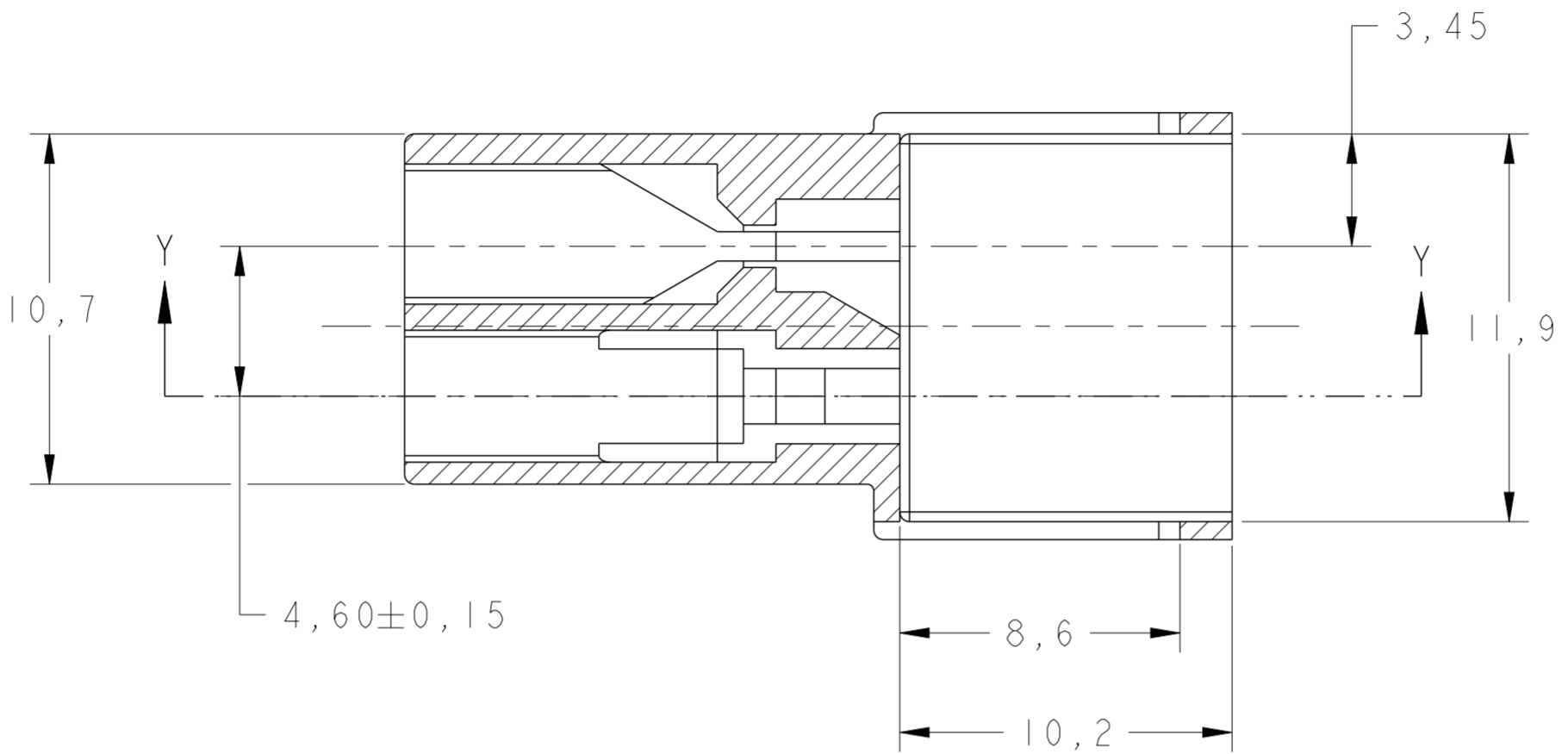
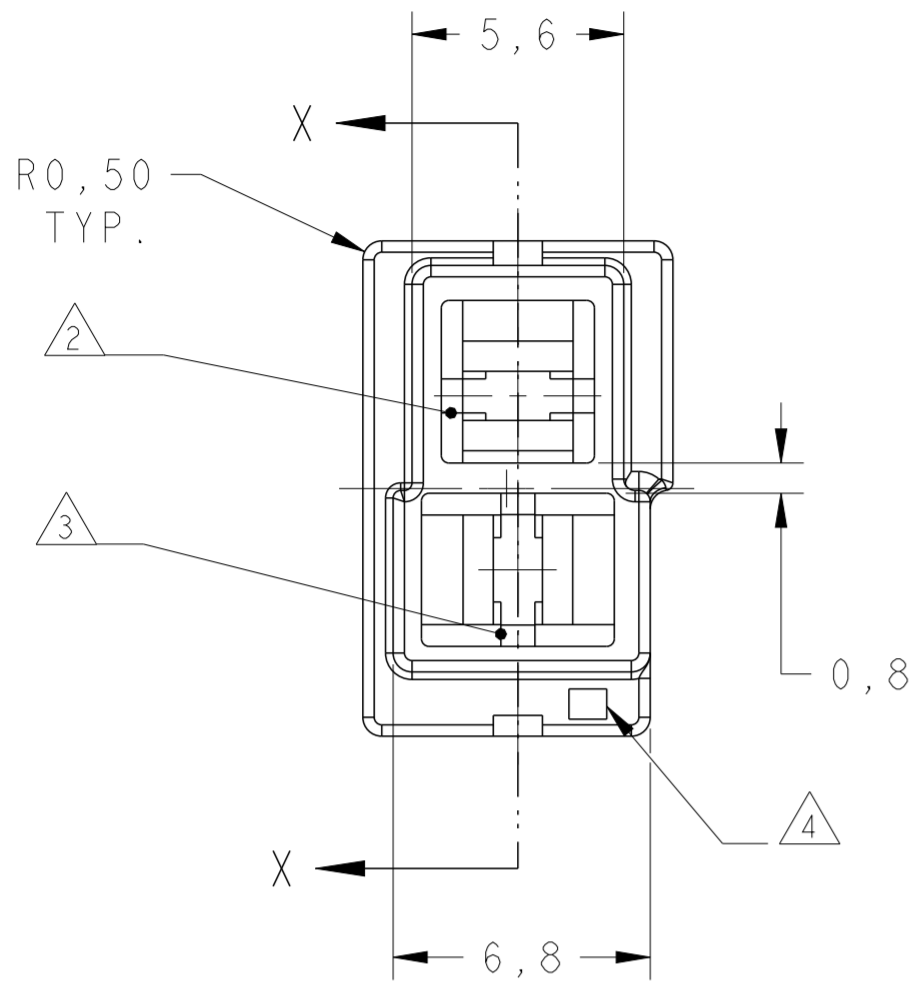


THIS DRAWING IS UNPUBLISHED. RELEASED FOR PUBLICATION 20
 © COPYRIGHT 20 BY - ALL RIGHTS RESERVED.

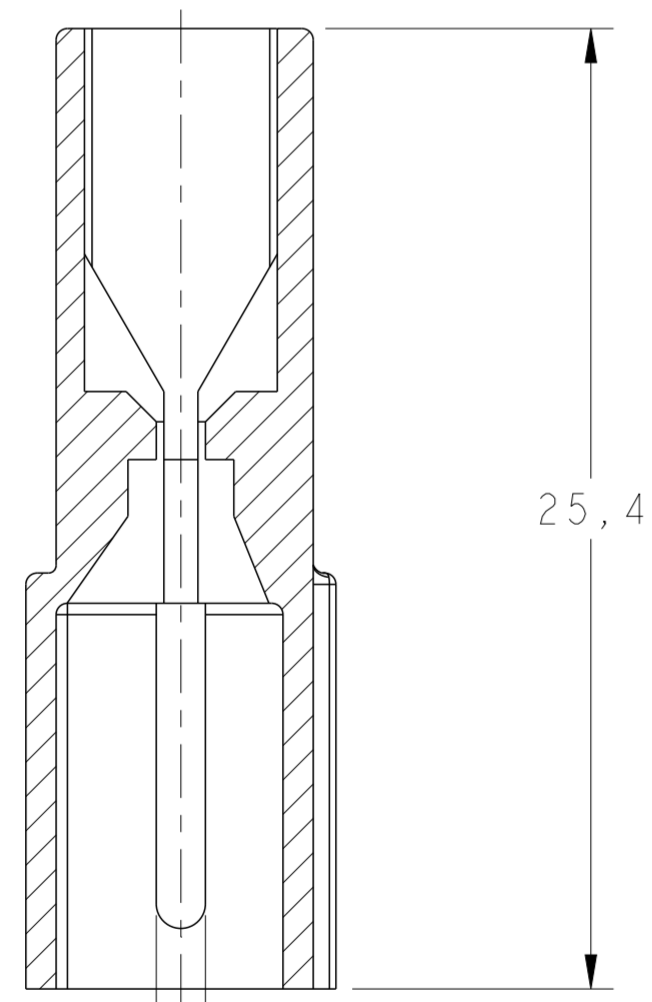
creo
 CreoParametri2.0
DO NOT REVISE
EXCEPT BY CAD

REVISIONS					
P	LTR	DESCRIPTION	DATE	DWN	APVD
M		REVISED DESIGN ECO-14-005638	16APR2014	NCL	GOJ
M1		REVISED DRAWING ECO-14-012763	16OCT2014	NCL	DAO
M2		REV. BY ECO 14-019128	09JAN2015	HC	WLS
N		REVISED PER ECN-23-193366	10JAN2023	WLS	BHC

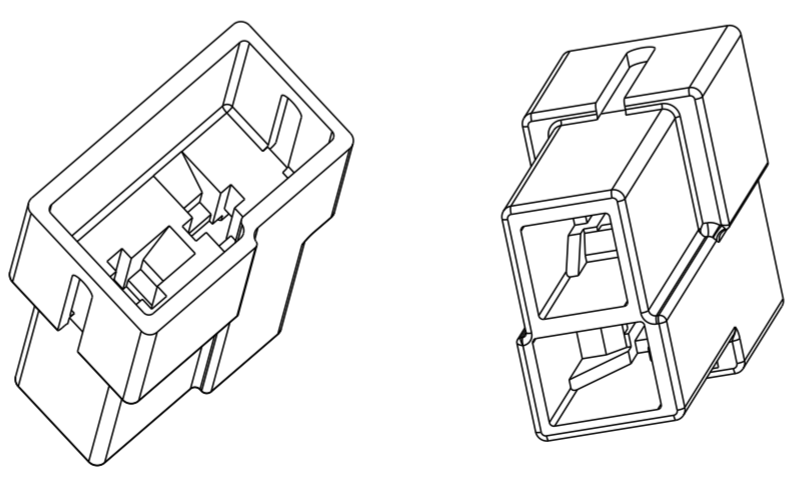


SECTION X-X

- ① - RESIN WITH GWIT AND GWFI ACCORDING TO IEC 60335-1.
 - ② - CIRCUIT 1- FOR REFERENCE ONLY.
 - ③ - CIRCUIT 2- FOR REFERENCE ONLY.
 - ④ - MOLD CAVITY NUMBER.
 - ⑤ - OBSOLETE PARTS: OBSOLETE CIS STREAMLINING PER D.RENAUD/D.SINISI
- 6 -WORK BETTER WHEN USED WITH TAB PN-881719 OR PN-880638.



SECTION Y-Y



PERSPECTIVE VIEW
 SCALE 3:1

FINISH	MATERIAL	PART NUMBER
NATURAL	PA6.6 V-0	① 1-626065 -2
NATURAL	PA6.6-ZYTEL 103 HSL	⑤ 1-626065 -1
NATURAL	PBT V-0	⑤ 1-626065 -0
ORANGE	POLIAMIDA 6.6	⑤ 626065 -9
VIOLET	POLIAMIDA 6.6	⑤ 626065 -8
GRAY	POLIAMIDA 6.6	⑤ 626065 -7
BROWN	POLIAMIDA 6.6	⑤ 626065 -6
BLACK	POLIAMIDA 6.6	626065 -5
YELLOW	POLIAMIDA 6.6	⑤ 626065 -4
BLUE	POLIAMIDA 6.6	⑤ 626065 -3
GREEN	POLIAMIDA 6.6	⑤ 626065 -2
RED	POLIAMIDA 6.6	⑤ 626065 -1
NATURAL	POLIAMIDA 6.6	626065 -0

THIS DRAWING IS A CONTROLLED DOCUMENT.

DIMENSIONS: mm	TOLERANCES UNLESS OTHERWISE SPECIFIED: 0 PLC ±0,2 1 PLC ±0,3 2 PLC ± 3 PLC ± 4 PLC ± ANGLES ±30' FINISH	DWN NCLAPRESA 18FEB2011 CHK JRGOLDSCHIMDT 18FEB2011 APVD MBGODOY 18FEB2011	NAME - HOUSING 2 POSN., FASTIN-ON .110 TAB
MATERIAL SEE TABLE		PRODUCT SPEC - APPLICATION SPEC - WEIGHT -	SIZE A2 CAGE CODE 00779 DRAWING NO C-626065 RESTRICTED TO -
		Customer Drawing	SCALE 4:1 SHEET OF REV N

STE TE Connectivity