



Copyright FCI



FCIconnect.com

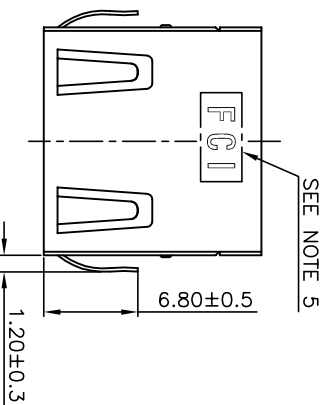


3

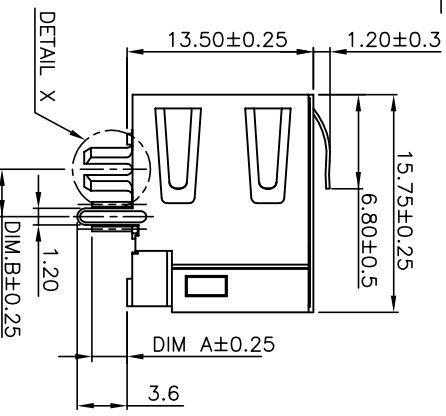
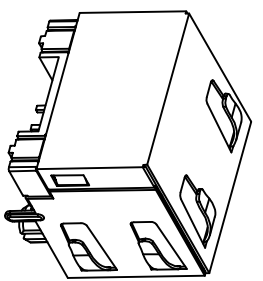
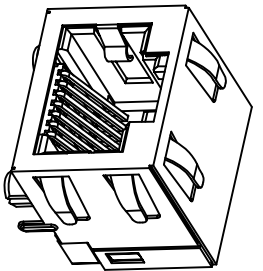
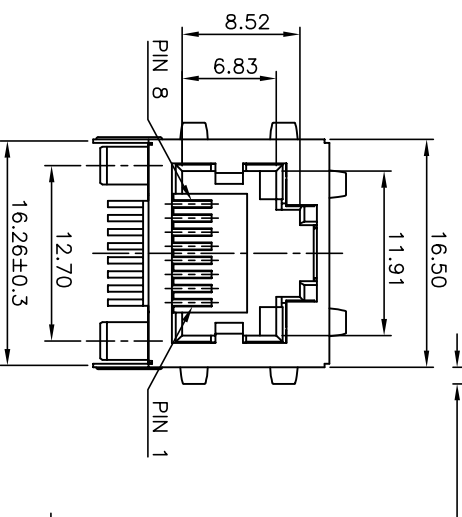


4

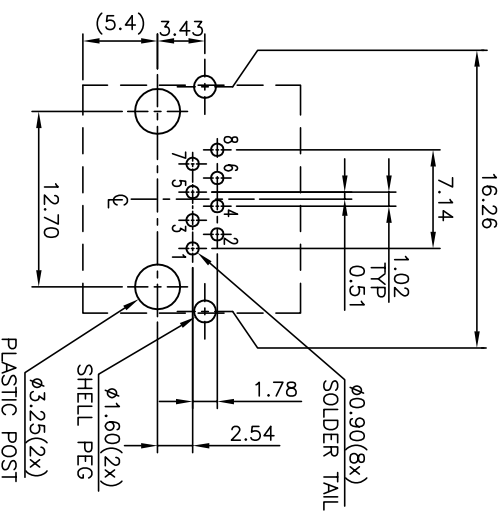
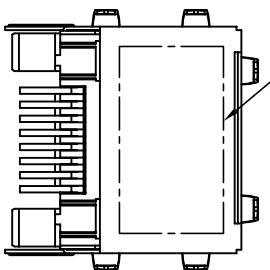
PART NUMBER	DIM.A	DIM.B	COMMENT
10117863-X0360X0LF	2.54	3.43	WITHOUT LED
10117863-X0390X0LF	2.20	3.43	WITHOUT LED



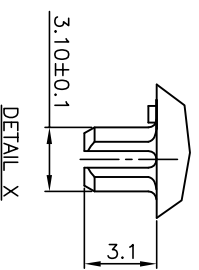
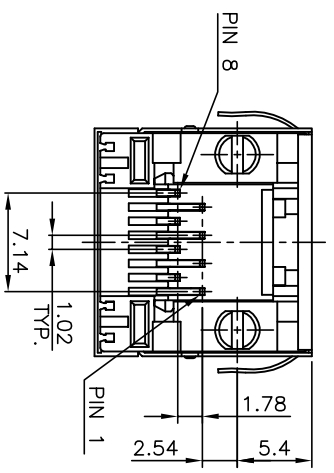
SEE NOTE 5



PRINT P/N & DATRE CODE  
(SEE NOTE 6)



RECOMMENDED PCB LAYOUT  
PCB THICKNESS: 1.0mm  
TOLERANCE: ±0.05mm (TOP VIEW)



mat'l. code	ecn no	dr	date	surface	tolerance	projection	product family
	A	WL	07/28/11	ASME Y14.5	ASME Y14.5	MM	MODULAR JACK, TAP UP
	B	WL	08/26/11	tolerances unless otherwise specified			DIP TYPE WITH SHIELD
	C	HE	03/05/13				
	D	HE	05/24/13				
sheet	revision	D	D	D	D		
index	sheet	1	2	3			



dwg no  
10117863

sheet 1 of 3 size  
A4

CUSTOMER Drawing

form: A4mmXlc

1

2

3

4



Copyright FCI



FCIconnect.com



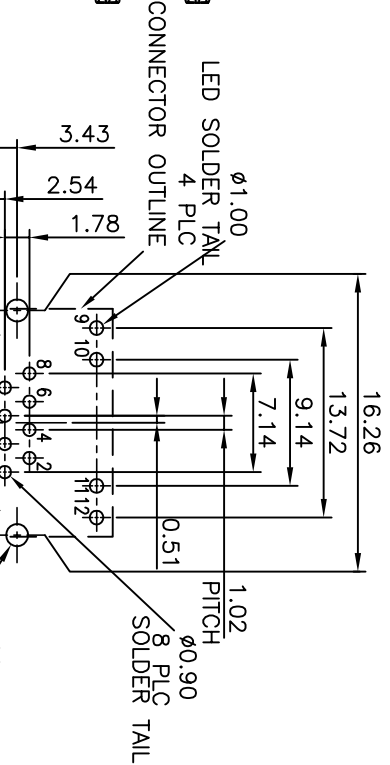
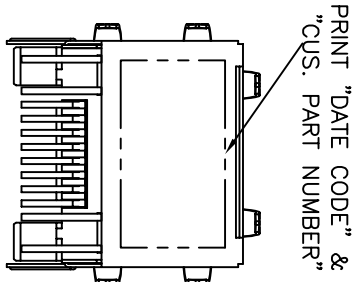
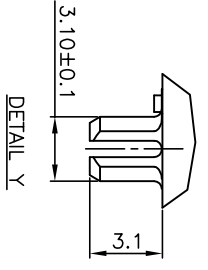
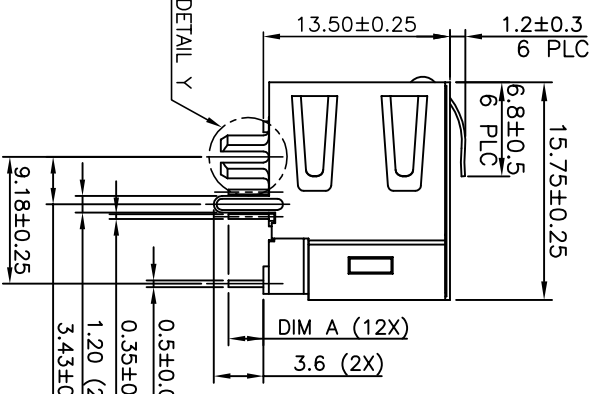
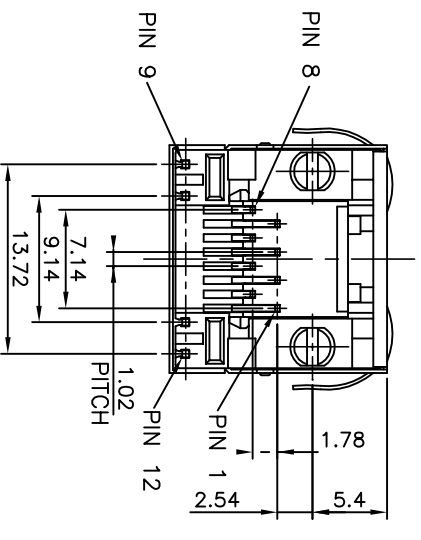
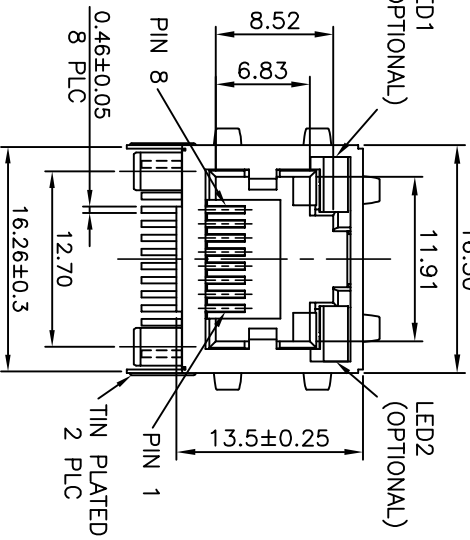
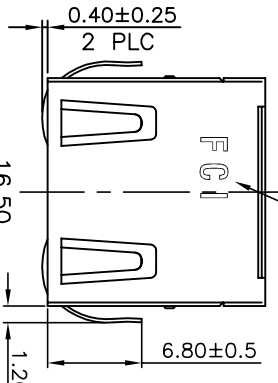
3



4

PART NUMBER	DIM.A	DIM.B	COMMENT
10117863-XX360XOLF	2.54	3.43	WITH LED
10117863-XX390XOLF	2.20	3.43	WITH LED

SEE NOTE 5



9+ - -10 11+ - -12  
LED SCHEMATIC

RECOMMENDED PCB LAYOUT  
PCB THICKNESS: 1.0mm  
TOLERANCE: ±0.05mm (TOP VIEW)

mat'l. code	surface	tolerance	projection	product family
tr	ecm no	dr	date	ASME Y14.5
D	ASME Y14.5	tolerance unless otherwise specified	ASME Y14.5	MODULAR JACK, TAP UP DIP TYPE WITH SHIELD
	angles	g	mm	
	X.F.1*	X.XX±0.25	X.XX±0.20	
	dr	X.XXX±0.15	scale	
	engr	WENDY CHEN 03/24/11	dwg no	10117863
	chr	WENDY CHEN 03/24/11	sheet 2 of 3	size A4
	appd	GARY HSEH 03/24/11	type	CUSTOMER Drawing
sheet index	revision	BX1 BX1	1	2

form: A4mmXlc

1

2

3

4

