

## 600-V High- and Low-Side Driver with Bootstrap Diode

### Features

- Floating channel designed for bootstrap operation
- Fully operational to +600 V
- Tolerant to negative transient voltage, dV/dt immune
- Gate drive supply range from 10 V to 20 V
- Under-voltage lockout for both channels
- 3.3 V, 5 V, and 15 V input logic compatible
- Matched propagation delay for both channels
- Lower di/dt gate driver for better noise immunity
- Outputs in phase with inputs
- Integrated bootstrap diode
- Suitable for both trapezoidal and sinusoidal motor control
- RoHS compliant

### Product Summary

$V_{\text{OFFSET}}$	600 V
$V_{\text{OUT}}$	10 V – 20 V
$I_{\text{o+}} & I_{\text{o-}}$ (typ.)	200 mA & 350 mA
$t_{\text{ON}} & t_{\text{OFF}}$ (typ.)	515 ns & 500 ns
Delay matching (max.)	50 ns

### Description

The IRS2817D and IRS2807D are high voltage, high speed power MOSFET and IGBT drivers with independent high and low side referenced output channels. Proprietary HVIC and latch immune CMOS technologies enable ruggedized monolithic construction. The logic input is compatible with standard CMOS or LSTTL output, down to 3.3 V logic. The output drivers feature a high-pulse current buffer stage designed for minimum driver cross-conduction. The floating channel can be used to drive N-channel power MOSFETs or IGBTs in the high side configuration which operates up to 600 V.

### Package Options

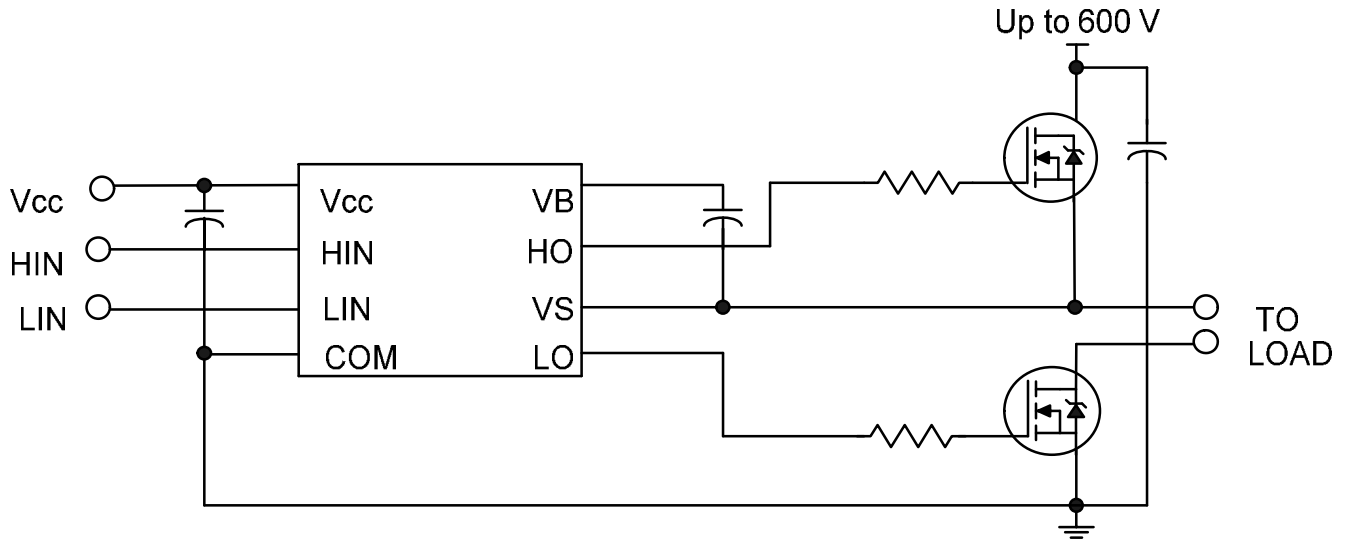


### Typical Applications

- Motor Control
- Air Conditioners
- Washing Machines
- General Purpose Inverters
- Micro/Mini Inverter Drives

Base Part Number	Package Type	Standard Pack		Orderable Part Number
		Form	Quantity	
IRS2807DS	8-Lead SOIC	Tube/Bulk	95	IRS2807DSPBF
		Tape and Reel	2500	IRS2807DSTRPBF
IRS2817DS	8-Lead SOIC	Tube/Bulk	95	IRS2817DSPBF
		Tape and Reel	2500	IRS2817DSTRPBF

**Typical Connection Diagram**



(Refer to Lead Assignments for correct pin configuration). This diagram shows electrical connections only. Please refer to our Application Notes & Design Tips for proper circuit board layout.

## Absolute Maximum Ratings

Absolute Maximum Ratings indicate sustained limits beyond which damage to the device may occur. All voltage parameters are absolute voltages referenced to COM. The thermal resistance and power dissipation ratings are measured under board mounted and still air conditions.

Symbol	Definition	Min.	Max.	Units	
$V_B$	High side floating supply voltage	-0.3	625	V	
$V_S$	High side floating supply offset voltage	$V_B - 25^\dagger$	$V_B + 0.3$		
$V_{HO}$	High side floating output voltage	$V_S - 0.3$	$V_B + 0.3$		
$V_{CC}$	Low side and logic fixed supply voltage	-0.3	25		
$V_{LO}$	Low side output voltage	-0.3	$V_{CC} + 0.3$		
$V_{IN}$	Logic input voltage	COM -0.3	$V_{CC} + 0.3$		
$dV_S/dt$	Allowable offset supply voltage transient	—	50	V/ns	
$P_D$	Package power dissipation @ $T_A \leq +25^\circ\text{C}$	8-Lead SOIC	—	0.625	W
$R_{thJA}$	Thermal resistance, junction to ambient	8-Lead SOIC	—	200	$^\circ\text{C}/\text{W}$
$T_J$	Junction temperature	—	150	$^\circ\text{C}$	
$T_S$	Storage temperature	-50	150		
$T_L$	Lead temperature (soldering, 10 seconds)	—	300		

† Zener clamps are included between  $V_{CC}$  & COM,  $V_B$  &  $V_S$  (20 V).

## Recommended Operating Conditions

For proper operation the device should be used within the recommended conditions. The  $V_S$  offset ratings are tested with all supplies biased at a 15 V differential.

Symbol	Definition	Min	Max	Units
$V_B$	High side floating supply absolute voltage	$V_S + 10$	$V_S + 20$	V
$V_S$	Static high side floating supply offset voltage	COM- 8 <sup>†</sup>	600	
$V_{St}$	Transient high side floating supply offset voltage	-50 <sup>††</sup>	600	
$V_{HO}$	High side floating output voltage	$V_S$	$V_B$	
$V_{CC}$	Low side and logic fixed supply voltage	10	20	
$V_{LO}$	Low side output voltage	0	$V_{CC}$	
$V_{IN}$	Logic input voltage	COM	$V_{CC}$	
$T_A$	Ambient temperature	-40	125	$^\circ\text{C}$

† Logic operational for  $V_S$  of -8 V to +600 V. Logic state held for  $V_S$  of -8 V to  $-V_{BS}$

†† Operational for transient negative  $V_S$  of COM -50 V with a 50 ns pulse width. Guaranteed by design. Refer to the Application Information section for more details

### Static Electrical Characteristics

$V_{CC} = V_{BS} = 15\text{ V}$  and  $T_A = 25^\circ\text{C}$  unless otherwise specified. The  $V_{IL}$ ,  $V_{IH}$ , and  $I_{IN}$  parameters are referenced to COM and are applicable to the respective input leads. The  $V_O$ ,  $I_O$ , and  $R_{ON}$  parameters are referenced to COM and are applicable to the respective output leads: HO and LO.

Symbol	Definition	Min.	Typ.	Max.	Units	Test Conditions
$V_{IH}$	Logic "1" input voltage	2.2	—	—	V	$I_O = 20\text{ mA}$
$V_{IL}$	Logic "0" input voltage	—	—	0.8		
$V_{OH}$	High level output voltage	—	0.8	1.4		
$V_{OL}$	Low level output voltage	—	0.3	0.6		
$I_{LK}$	Offset supply leakage current	—	—	50	$\mu\text{A}$	$V_B = V_S = 600\text{ V}$
$I_{QBS}$	Quiescent $V_{BS}$ supply current	—	45	70		$V_{IN} = 0\text{ V or } 4\text{ V}$
$I_{QCC}$	Quiescent $V_{CC}$ supply current (IRS2807DS)	1000	1700	3000		
	Quiescent $V_{CC}$ supply current (IRS2817DS)	1000	1800	3000		
$I_{IN+}$	Logic "1" input bias current	—	5	20		$V_{IN} = 4\text{ V}$
$I_{IN-}$	Logic "0" input bias current	—	—	2	$V_{IN} = 0\text{ V}$	
$V_{CCUV+}$ $V_{BSUV+}$	$V_{CC}$ and $V_{BS}$ supply under-voltage positive going threshold (IRS2807DS)	8.0	8.9	9.8	V	
	$V_{CC}$ and $V_{BS}$ supply under-voltage positive going threshold (IRS2817DS)	10.6	11.1	11.6		
$V_{CCUV-}$ $V_{BSUV-}$	$V_{CC}$ and $V_{BS}$ supply under-voltage negative going threshold (IRS2807DS)	6.9	7.7	8.5		
	$V_{CC}$ and $V_{BS}$ supply under-voltage negative going threshold (IRS2817DS)	10.4	10.9	11.4		
$V_{CCUVH}$ $V_{BSUVH}$	$V_{CC}$ and $V_{BS}$ supply under-voltage hysteresis (IRS2807DS)	—	1.2	—		
	$V_{CC}$ and $V_{BS}$ supply under-voltage hysteresis (IRS2817DS)	—	0.2	—		
$I_{O+}$	Output high short circuit pulsed current	120	200	—	mA	$V_O = 0\text{ V}$ , $PW \leq 10\ \mu\text{s}$
$I_{O-}$	Output low short circuit pulsed current	250	350	—		$V_O = 15\text{ V}$ , $PW \leq 10\ \mu\text{s}$
$R_{BS}$	Bootstrap resistance <sup>†</sup>	—	200	—	$\Omega$	

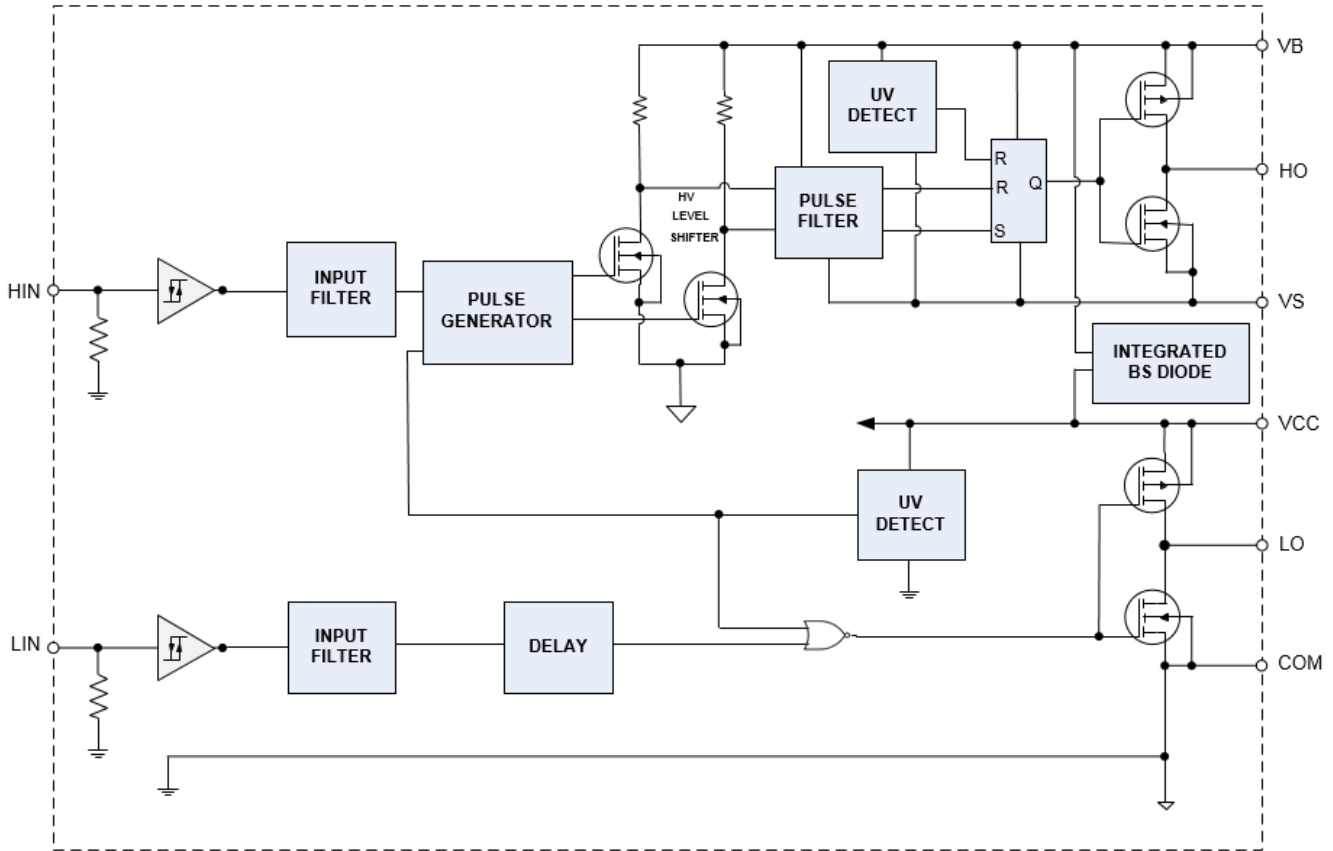
† Please refer to the Application Section for the integrated bootstrap description.

### Dynamic Electrical Characteristics

$V_{CC} = V_B = 15\text{ V}$ ,  $T_A = 25^\circ\text{C}$ , and  $C_L = 1000\text{ pF}$ .

Symbol	Definition	Min.	Typ.	Max.	Units	Test Conditions
$t_{on}$	Turn-on propagation delay	—	515	715	ns	$V_S = 0\text{ V or } 600\text{ V}$
$t_{off}$	Turn-off propagation delay	—	500	700		
MT	Delay matching, HS & LS turn-on/off	—	—	50		$V_S = 0\text{ V}$
$t_r$	Turn-on rise time	—	150	220		
$t_f$	Turn-off fall time	—	50	80		
$t_{fil}$	Minimum pulse input filter time	—	300	—		

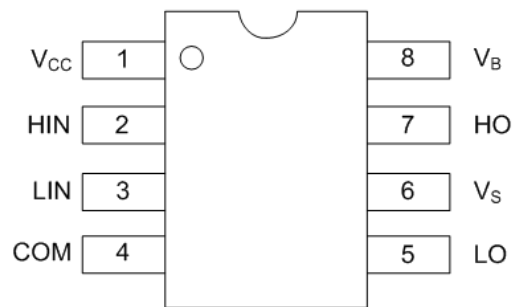
**Functional Block Diagram**



## Lead Definitions

Symbol	Description
<b>HIN</b>	Logic input for high side gate driver output (HO), in phase
<b>LIN</b>	Logic input for low side gate driver output (LO), in phase
<b>V<sub>B</sub></b>	High side floating supply
<b>HO</b>	High side gate drive output
<b>V<sub>S</sub></b>	High side floating supply return
<b>V<sub>CC</sub></b>	Low side and logic fixed supply
<b>LO</b>	Low side gate drive output
<b>COM</b>	Low side return

## Lead Assignments



8-Lead SOIC

**IRS28x7D**

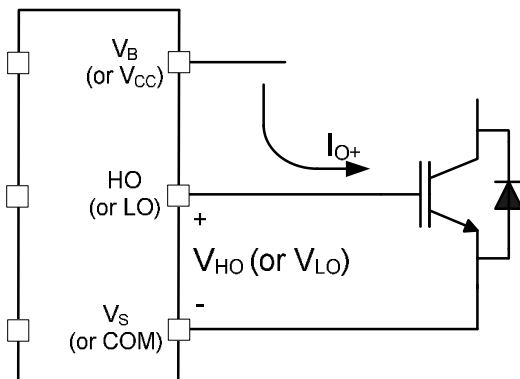
## Application Information and Additional Details

Information regarding the following topics is included as subsections within this section of the datasheet.

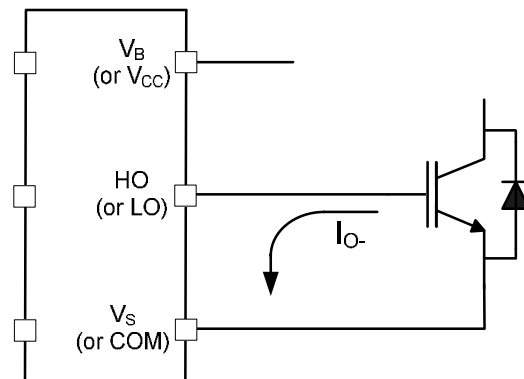
- IGBT/MOSFET Gate Drive
- Switching and Timing Relationships
- Matched Propagation Delays
- Input Logic Compatibility
- Under-voltage Lockout Protection
- Advanced Input Filter
- Short-Pulse / Noise Rejection
- Integrated Bootstrap Functionality
- Negative VS Transient SOA
- PCB Layout Tips
- Integrated Bootstrap FET limitation
- Additional Documentation

### IGBT/MOSFET Gate Drive

The IRS28x7D HVICs are designed to drive MOSFET or IGBT power devices. Figures 1 and 2 illustrate several parameters associated with the gate drive functionality of the HVIC. The output current of the HVIC, used to drive the gate of the power switch, is defined as  $I_O$ . The voltage that drives the gate of the external power switch is defined as  $V_{HO}$  for the high-side power switch and  $V_{LO}$  for the low-side power switch; this parameter is sometimes generically called  $V_{OUT}$  and in this case does not differentiate between the high-side or low-side output voltage.



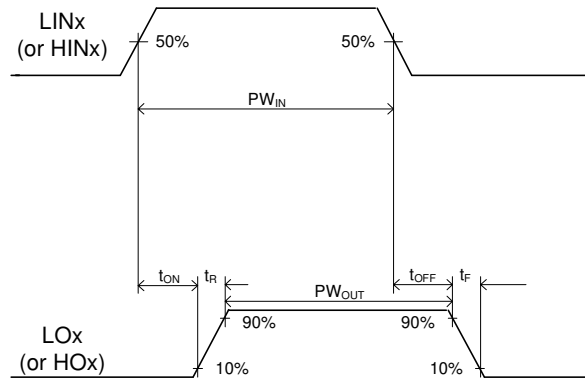
**Figure 1. HVIC sourcing current**



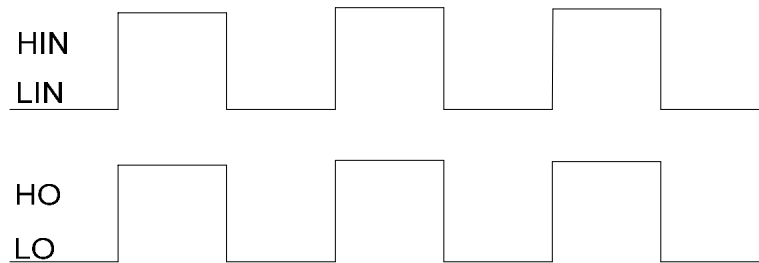
**Figure 2. HVIC sinking current**

**Switching and Timing Relationships**

The relationships between the input and output signals of the IRS28x7D are illustrated below in Figures 3, 4. From these figures, we can see the definitions of several timing parameters (i.e.,  $PW_{IN}$ ,  $PW_{OUT}$ ,  $t_{ON}$ ,  $t_{OFF}$ ,  $t_r$ , and  $t_f$ ) associated with this device.



**Figure 3: Switching time waveforms**

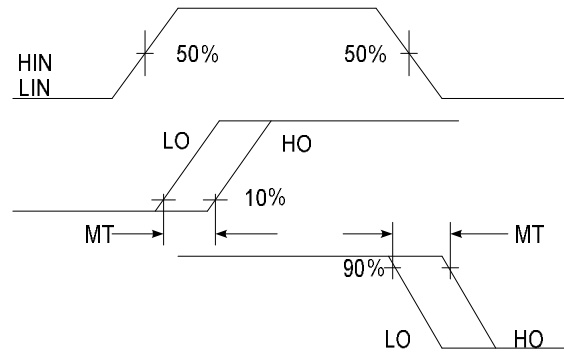


**Figure 4. Input/output timing diagram**



**Matched Propagation Delays**

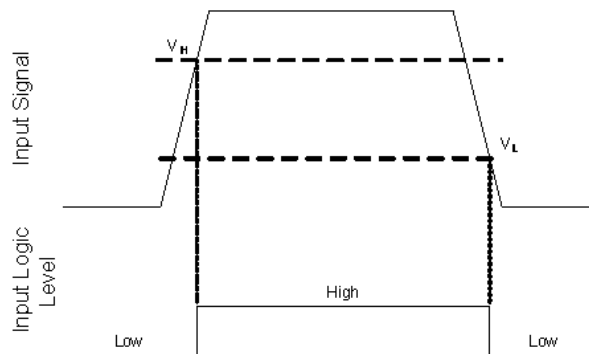
The IRS28x7D HVICs are designed with propagation delay matching circuitry. With this feature, the IC's response at the output to a signal at the input requires approximately the same time duration (i.e.,  $t_{ON}$ ,  $t_{OFF}$ ) for both the low-side channels and the high-side channels; the maximum difference is specified by the delay matching parameter (MT). The propagation turn-on delay ( $t_{ON}$ ) of the IRS28x7D is matched to the propagation turn-on delay ( $t_{OFF}$ ).



**Figure 5. Delay Matching Waveform Definition**

**Input Logic Compatibility**

The inputs of this IC are compatible with standard CMOS and TTL outputs. The IRS28x7D have been designed to be compatible with 3.3 V and 5 V logic-level signals. Figure 8 illustrates an input signal to the IRS28x7D, its input threshold values, and the logic state of the IC as a result of the input signal.



**Figure 6. HIN & LIN input thresholds**

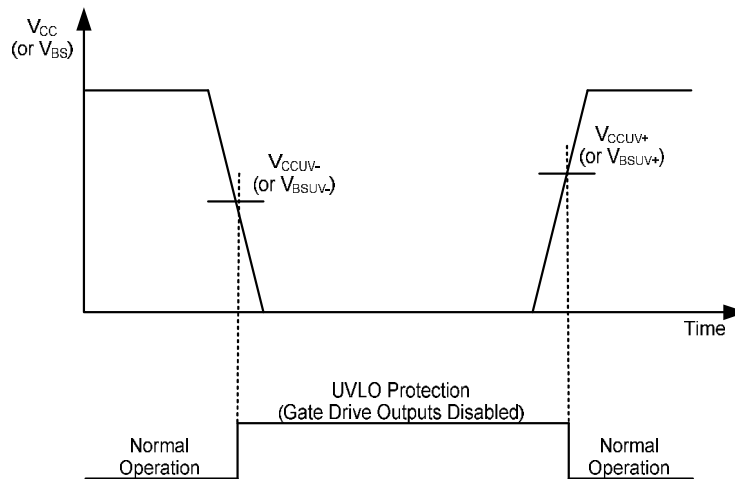
### Under-voltage Lockout Protection

This IC provides under-voltage lockout protection on both the  $V_{CC}$  (logic and low-side circuitry) power supply and the  $V_{BS}$  (high-side circuitry) power supply. Figure 7 is used to illustrate this concept;  $V_{CC}$  (or  $V_{BS}$ ) is plotted over time and as the waveform crosses the UVLO threshold ( $V_{CCUV+/-}$  or  $V_{BSUV+/-}$ ) the under-voltage protection is enabled or disabled.

Upon power-up, should the  $V_{CC}$  voltage fail to reach the  $V_{CCUV+}$  threshold, the IC will not turn-on. Additionally, if the  $V_{CC}$  voltage decreases below the  $V_{CCUV-}$  threshold during operation, the under-voltage lockout circuitry will recognize a fault condition and shutdown the high and low-side gate drive outputs.

Upon power-up, should the  $V_{BS}$  voltage fail to reach the  $V_{BSUV}$  threshold, the IC will not turn-on. Additionally, if the  $V_{BS}$  voltage decreases below the  $V_{BSUV}$  threshold during operation, the under-voltage lockout circuitry will recognize a fault condition, and shutdown the high-side gate drive outputs of the IC.

The UVLO protection ensures that the IC drives the external power devices only when the gate supply voltage is sufficient to fully enhance the power devices. Without this feature, the gates of the external power switch could be driven with a low voltage, resulting in the power switch conducting current while the channel impedance is high; this could result in very high conduction losses within the power device and could lead to power device failure.



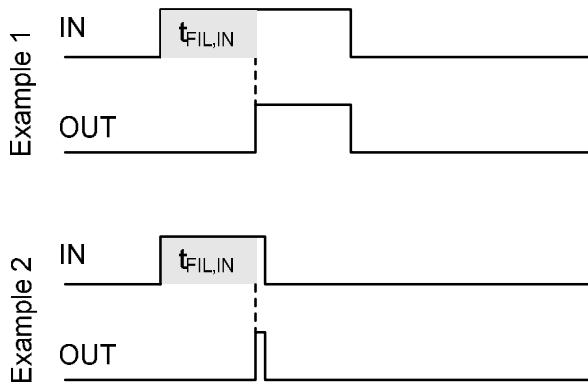
**Figure 7. UVLO protection**

**Advanced Input Filter**

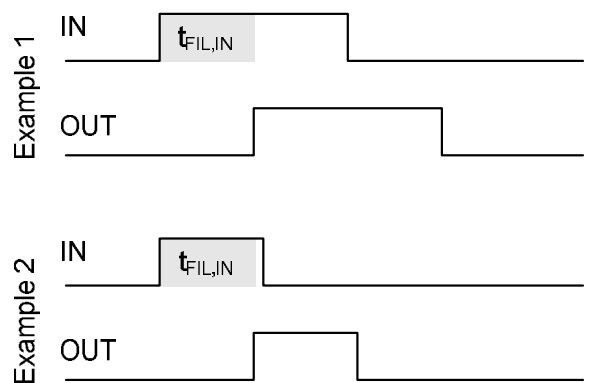
The advanced input filter allows an improvement in the input/output pulse symmetry of the HVIC and helps to reject noise spikes and short pulses. This input filter has been applied to the HIN and LIN inputs. The working principle of the new filter is shown in Figures 8 and 9.

Figure 8 shows a typical input filter and the asymmetry of the input and output. The upper pair of waveforms (Example 1) show an input signal with a duration much longer than  $t_{FIL,IN}$ ; the resulting output is approximately the difference between the input signal and  $t_{FIL,IN}$ . The lower pair of waveforms (Example 2) show an input signal with a duration slightly longer than  $t_{FIL,IN}$ ; the resulting output is approximately the difference between the input signal and  $t_{FIL,IN}$ .

Figure 9 shows the advanced input filter and the symmetry between the input and output. The upper pair of waveforms (Example 1) show an input signal with a duration much longer than  $t_{FIL,IN}$ ; the resulting output is approximately the same duration as the input signal. The lower pair of waveforms (Example 2) show an input signal with a duration slightly longer than  $t_{FIL,IN}$ ; the resulting output is approximately the same duration as the input signal.



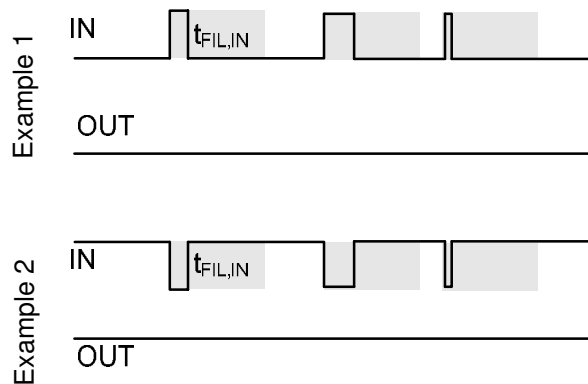
**Figure 8. Typical input filter**



**Figure 9. Advanced input filter**

**Short-Pulse / Noise Rejection**

This device's input filter provides protection against short-pulses (e.g., noise) on the input lines. If the duration of the input signal is less than  $t_{FIL,IN}$ , the output will not change states. Example 1 of Figure 10 shows the input and output in the low state with positive noise spikes of durations less than  $t_{FIL,IN}$ ; the output does not change states. Example 2 of Figure 10 shows the input and output in the high state with negative noise spikes of durations less than  $t_{FIL,IN}$ ; the output does not change states.

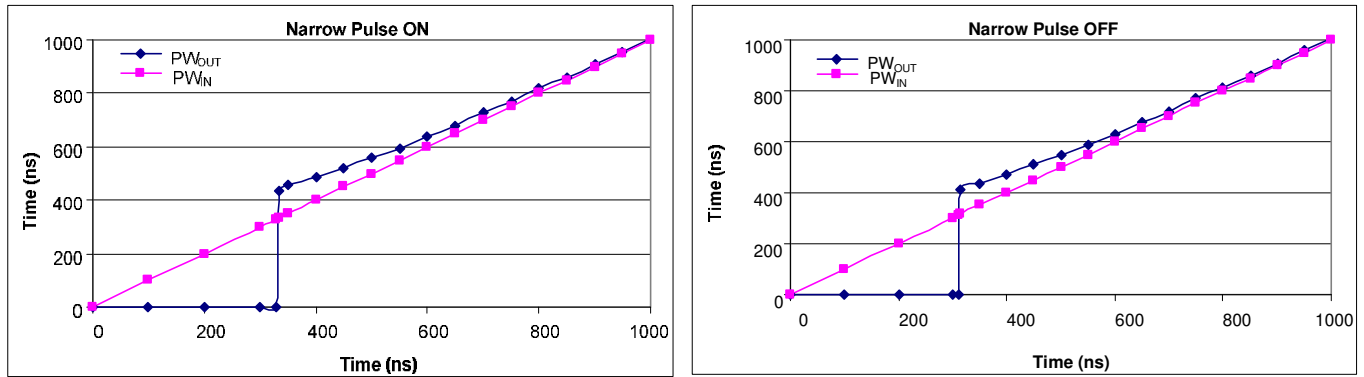


**Figure 10. Noise rejecting input filters**

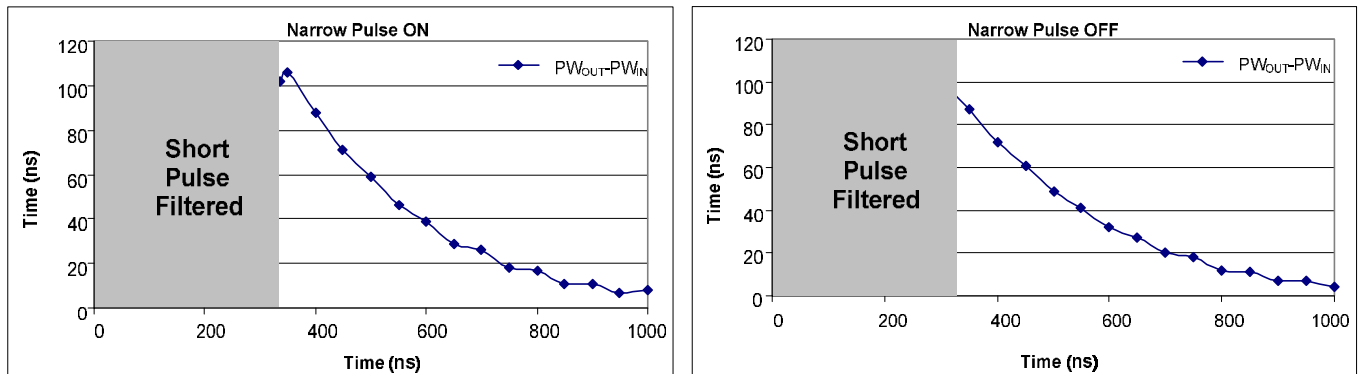
Figures 11 and 12 present lab data that illustrates the characteristics of the input filters while receiving ON and OFF pulses.

The input filter characteristic is shown in Figure 11; the left side illustrates the narrow pulse ON (short positive pulse) characteristic while the left shows the narrow pulse OFF (short negative pulse) characteristic. The x-axis of Figure 11 shows the duration of  $PW_{IN}$ , while the y-axis shows the resulting  $PW_{OUT}$  duration. It can be seen that for a  $PW_{IN}$  duration less than  $t_{FIL,IN}$ , that the resulting  $PW_{OUT}$  duration is zero (e.g., the filter rejects the input signal/noise). We also see that once the  $PW_{IN}$  duration exceed  $t_{FIL,IN}$ , that the  $PW_{OUT}$  durations mimic the  $PW_{IN}$  durations very well over this interval with the symmetry improving as the duration increases. To ensure proper operation of the HVIC, it is suggested that the input pulse width for the high-side inputs be  $\geq 500$  ns.

The difference between the  $PW_{OUT}$  and  $PW_{IN}$  signals of both the narrow ON and narrow OFF cases is shown in Figure 12; the careful reader will note the scale of the y-axis. The x-axis of Figure 12 shows the duration of  $PW_{IN}$ , while the y-axis shows the resulting  $PW_{OUT}-PW_{IN}$  duration. This data illustrates the performance and near symmetry of this input filter.



**Figure 11. Input filter characteristic**

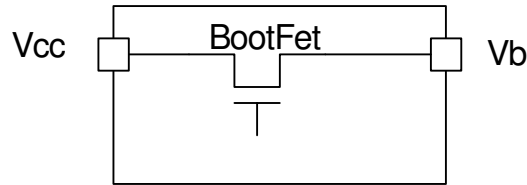


**Figure 12. Difference between the input pulse and the output pulse**

**Integrated Bootstrap Functionality**

The IRS28x7D embeds an integrated bootstrap FET that allows an alternative drive of the bootstrap supply for a wide range of applications.

A bootstrap FET is connected between the floating supply  $V_B$  and  $V_{CC}$  (see Fig. 13).

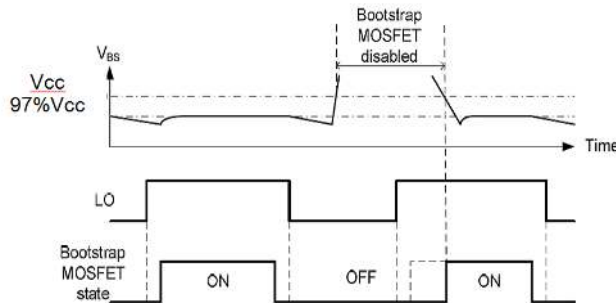


**Figure 13. Simplified BootFET connection**

The bootstrap FET is suitable for most PWM modulation schemes, including trapezoidal control, and can be used either in parallel with the external bootstrap network (diode+ resistor) or as a replacement of it. The use of the integrated bootstrap as a replacement of the external bootstrap network may have some limitations at a very high PWM duty cycle due to the bootstrap FET equivalent resistance ( $R_{BS}$ , see page 5).

The integrated bootstrap FET is turned on during the time when LO is 'high', and it has a limited source current due to  $R_{BS}$ . The  $V_{BS}$  voltage will be charged each cycle depending on the on-time of LO and the value of the  $C_{BS}$  capacitor, the drain-source (collector-emitter) drop of the external IGBT (or MOSFET), and the low-side free-wheeling diode drop.

The bootstrap FET follows the state of low-side output stage (i.e., the bootstrap FET is ON when LO is high, unless the  $V_B$  voltage is higher than approximately  $V_{CC}$ . In that case, the bootstrap FET is designed to remain off until  $V_B$  returns below that threshold; this concept is illustrated in Figure 14.

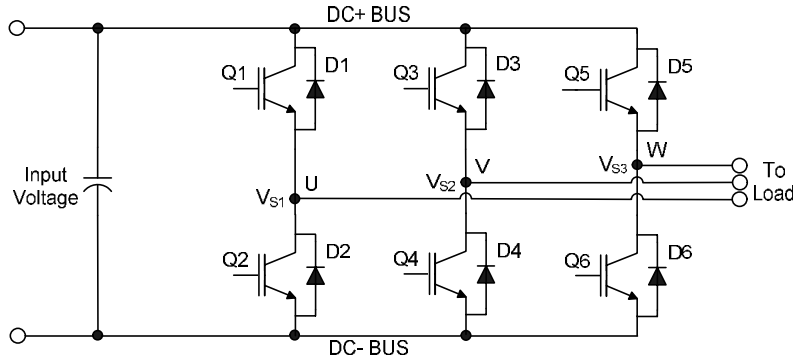


**Figure 14. BootFET timing diagram**

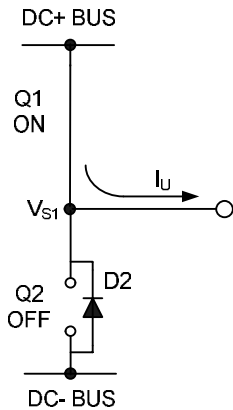
**Tolerant to Negative  $V_s$  Transients**

A common problem in today's high-power switching converters is the transient response of the switch node's voltage as the power switches transition on and off quickly while carrying a large current. A typical 3-phase inverter circuit is shown in Figure 15; here we define the power switches and diodes of the inverter.

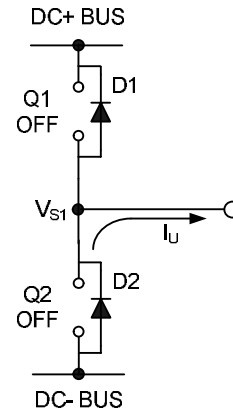
If the high-side switch (e.g., the IGBT Q1 in Figures 16 and 17) switches off, while the U phase current is flowing to an inductive load, a current commutation occurs from high-side switch (Q1) to the diode (D2) in parallel with the low-side switch of the same inverter leg. At the same instance, the voltage node  $V_{s1}$ , swings from the positive DC bus voltage to the negative DC bus voltage.



**Figure 15. Three phase inverter**

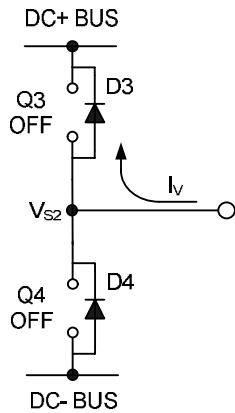
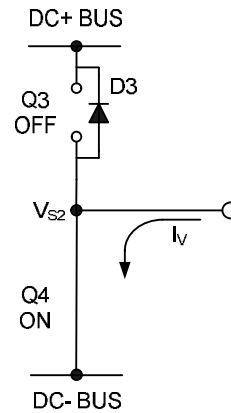


**Figure 16. Q1 conducting**



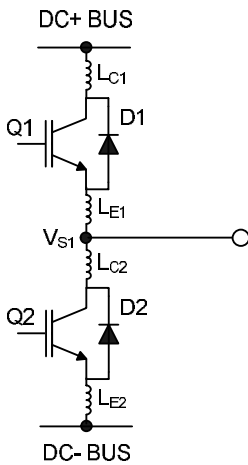
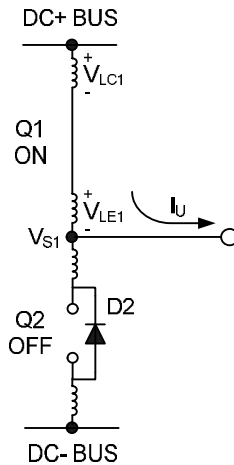
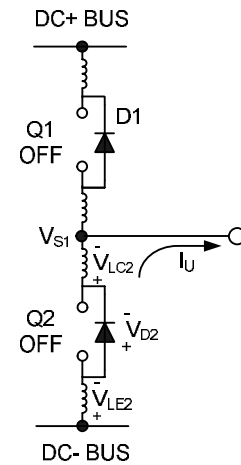
**Figure 17. D2 conducting**

Also when the V phase current flows from the inductive load back to the inverter (see Figures 18 and 19), and Q4 IGBT switches on, the current commutation occurs from D3 to Q4. At the same instance, the voltage node,  $V_{s2}$ , swings from the positive DC bus voltage to the negative DC bus voltage.


**Figure 18. D3 conducting**

**Figure 19. Q4 conducting**

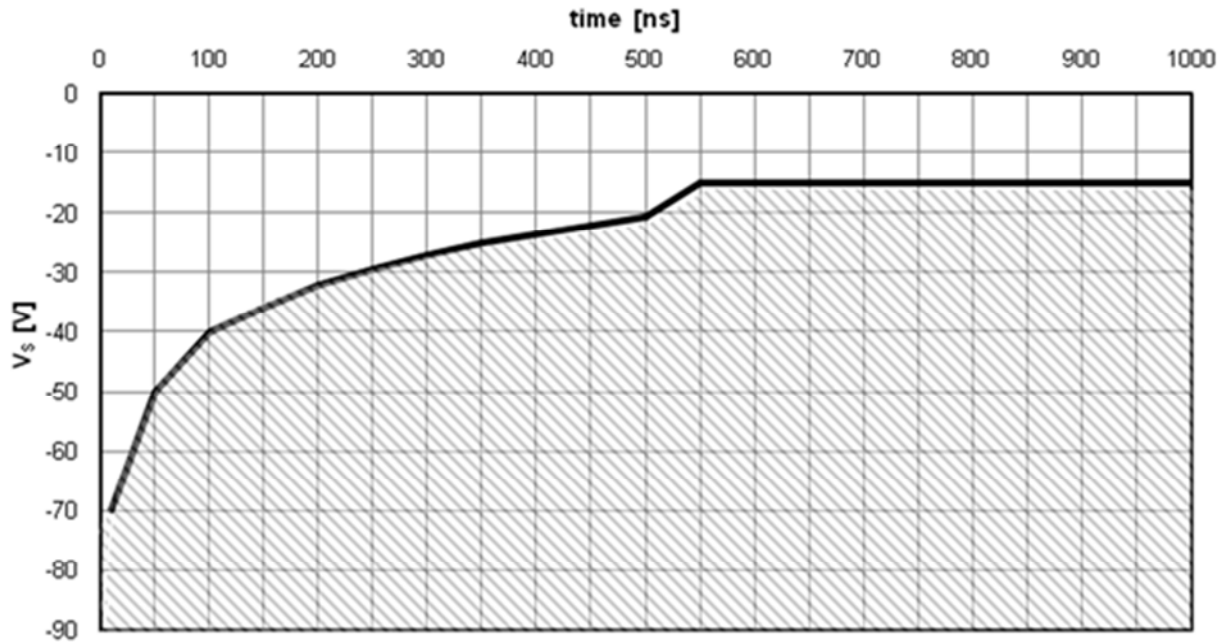
However, in a real inverter circuit, the  $V_S$  voltage swing does not stop at the level of the negative DC bus, rather it swings below the level of the negative DC bus. This undershoot voltage is called “negative  $V_S$  transient”.

The circuit shown in Figure 20 depicts one leg of the three phase inverter; Figures 21 and 22 show a simplified illustration of the commutation of the current between Q1 and D2. The parasitic inductances in the power circuit from the die bonding to the PCB tracks are lumped together in  $L_C$  and  $L_E$  for each IGBT. When the high-side switch is on,  $V_{S1}$  is below the DC+ voltage by the voltage drops associated with the power switch and the parasitic elements of the circuit. When the high-side power switch turns off, the load current momentarily flows in the low-side freewheeling diode due to the inductive load connected to  $V_{S1}$  (the load is not shown in these figures). This current flows from the DC- bus (which is connected to the COM pin of the HVIC) to the load and a negative voltage between  $V_{S1}$  and the DC- Bus is induced (i.e., the COM pin of the HVIC is at a higher potential than the  $V_S$  pin).


**Figure 20. Parasitic Elements**

**Figure 21.  $V_S$  positive**

**Figure 22.  $V_S$  negative**

In a typical motor drive system,  $dV/dt$  is typically designed to be in the range of 3-5 V/ns. The negative  $V_S$  transient voltage can exceed this range during some events such as short circuit and over-current shutdown, when  $di/dt$  is greater than in normal operation.

International Rectifier’s HVICs have been designed for the robustness required in many of today’s demanding applications. An indication of the IRS28x7D’s robustness can be seen in Figure 23, where there is represented the IRS28x7D Safe Operating Area at  $V_{BS}=15$  V based on repetitive negative  $V_S$  spikes. A negative  $V_S$  transient voltage falling in the grey area (outside SOA) may lead to IC permanent damage; vice versa unwanted functional anomalies or permanent damage to the IC do not appear if negative  $V_S$  transients fall inside SOA.



**Figure 23. Negative V<sub>S</sub> transient SOA for IRS28x7D @ V<sub>BS</sub>=15 V**

Even though the IRS28x7D has been shown able to handle these large negative V<sub>S</sub> transient conditions, it is highly recommended that the circuit designer always limit the negative V<sub>S</sub> transients as much as possible by careful PCB layout and component use.

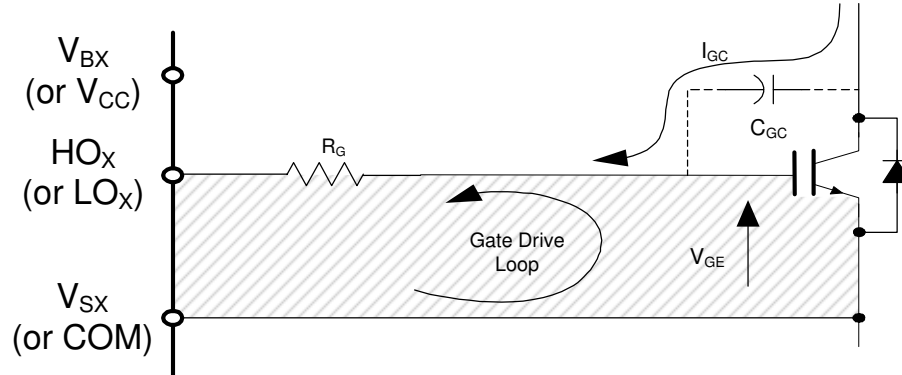
#### PCB Layout Tips

Distance between high and low voltage components: It's strongly recommended to place the components tied to the floating voltage pins (V<sub>B</sub> and V<sub>S</sub>) near the respective high voltage portions of the device. Please see the Case Outline information in this datasheet for the details.

Ground Plane: In order to minimize noise coupling, the ground plane should not be placed under or near the high voltage floating side.

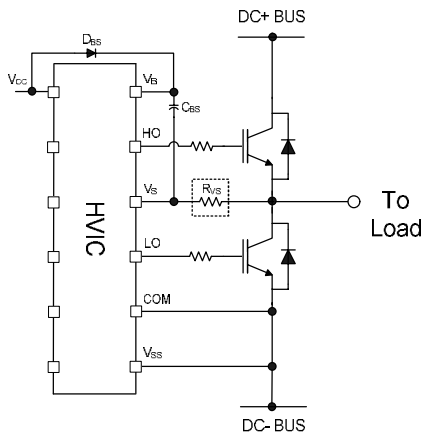
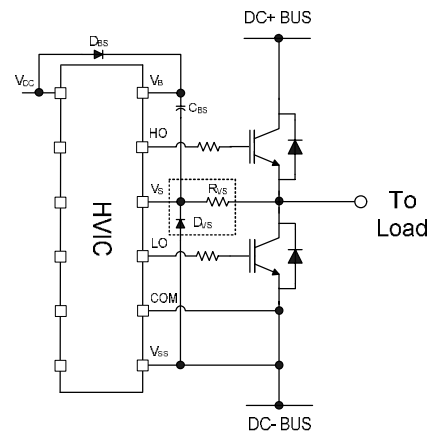
Gate Drive Loops: Current loops behave like antennas and are able to receive and transmit EM noise (see Figure 24). In order to reduce the EM coupling and improve the power switch turn on/off performance, the gate drive loops must be reduced as much as possible. Moreover, current can be injected inside the gate drive loop via the IGBT collector-to-gate parasitic capacitance. The parasitic auto-inductance of the gate loop contributes to developing a voltage across the gate-emitter, thus increasing the possibility of a self turn-on effect.




**Figure 24. Antenna Loops**

**Supply Capacitor:** It is recommended to place a bypass capacitor ( $C_{IN}$ ) between the  $V_{CC}$  and COM pins. A ceramic  $1\mu\text{F}$  ceramic capacitor is suitable for most applications. This component should be placed as close as possible to the pins in order to reduce parasitic elements.

**Routing and Placement:** Power stage PCB parasitic elements can contribute to large negative voltage transients at the switch node; it is recommended to limit the phase voltage negative transients. In order to avoid such conditions, it is recommended to 1) minimize the high-side emitter to low-side collector distance, and 2) minimize the low-side emitter to negative bus rail stray inductance. However, where negative  $V_S$  spikes remain excessive, further steps may be taken to reduce the spike. This includes placing a resistor ( $5\ \Omega$  or less) between the  $V_S$  pin and the switch node (see Figure 25), and in some cases using a clamping diode between COM and  $V_S$  (see Figure 26). See DT04-4 at [www.infineon.com](http://www.infineon.com) for more detailed information.


**Figure 25.  $V_S$  resistor**

**Figure 26.  $V_S$  clamping diode**

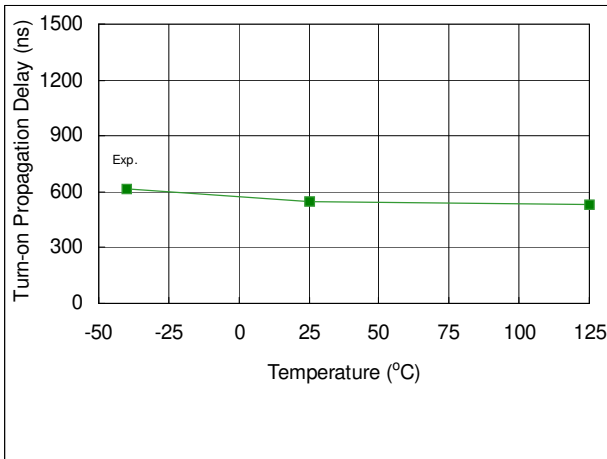
### Additional Documentation

Several technical documents related to the use of HVICs are available at [www.infineon.com](http://www.infineon.com); use the Site Search function and the document number to quickly locate them. Below is a short list of some of these documents.

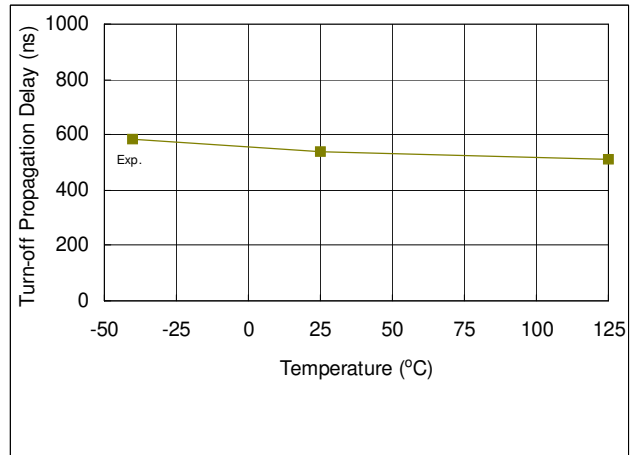
- DT97-3: Managing Transients in Control IC Driven Power Stages
- AN-1123: Bootstrap Network Analysis: Focusing on the Integrated Bootstrap Functionality
- DT04-4: Using Monolithic High Voltage Gate Drivers
- AN-978: HV Floating MOS-Gate Driver ICs

**Parameters trend in temperature**

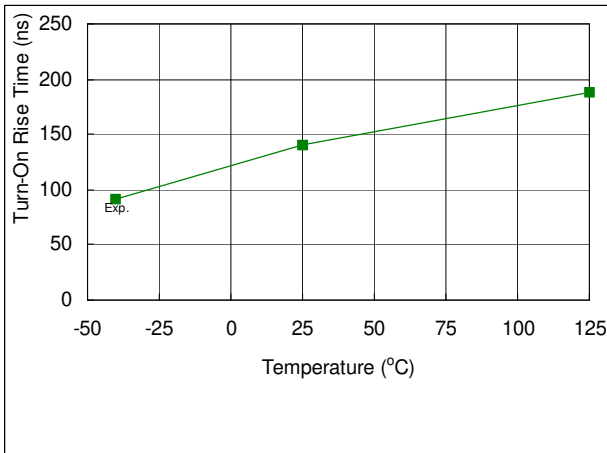
Figures 27-48 provide information on the experimental performance of the IRS28x7D HVIC. The line plotted in each figure is generated from actual lab data. A large number of individual samples from multiple wafer lots were tested at three temperatures (-40°C, 25°C, and 125°C) in order to generate the experimental (Exp.) curve. The line labeled Exp. consist of three data points (one data point at each of the tested temperatures) that have been connected together to illustrate the understood trend. The individual data points on the curve were determined by calculating the averaged experimental value of the parameter (for a given temperature).



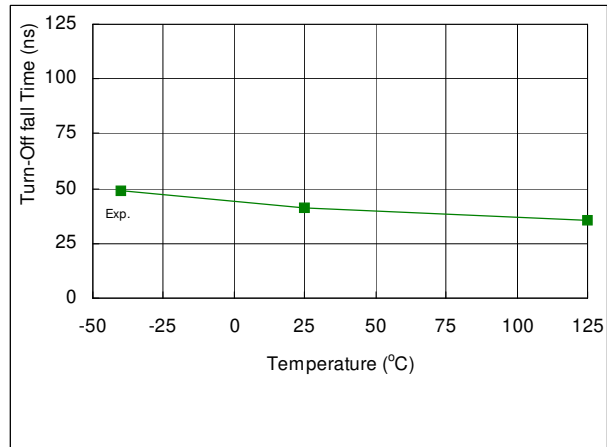
**Figure 27.** Turn-on Propagation Delay vs. Temperature



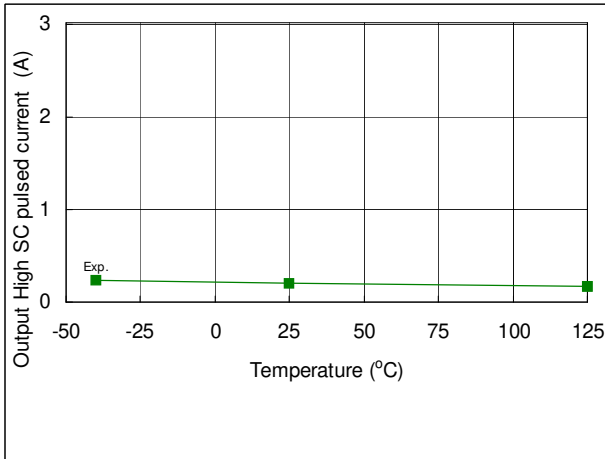
**Figure 28.** Turn-off Propagation Delay vs. Temperature



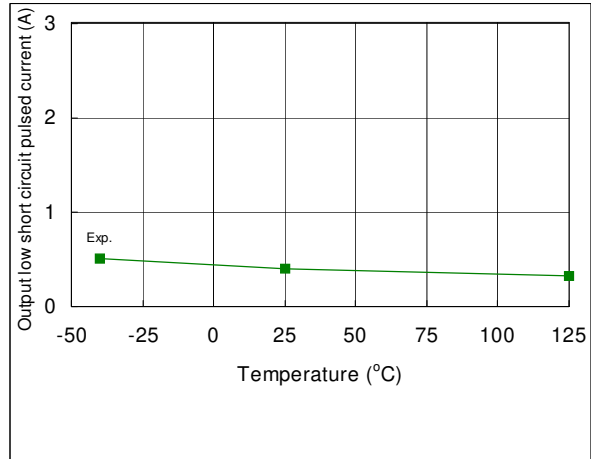
**Figure 29.** Turn-on Rise Time vs. Temperature



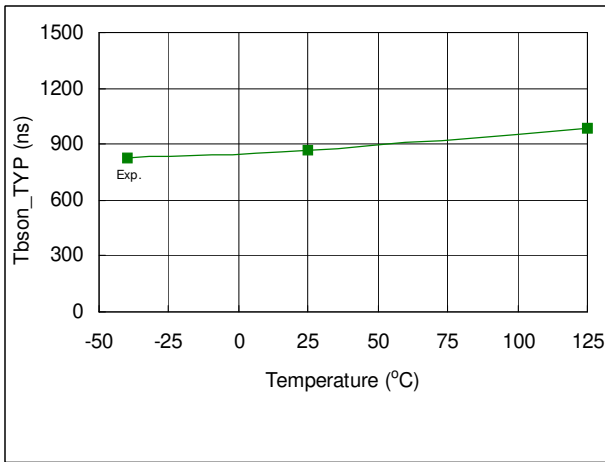
**Figure 30.** Turn-off Rise Time vs. Temperature



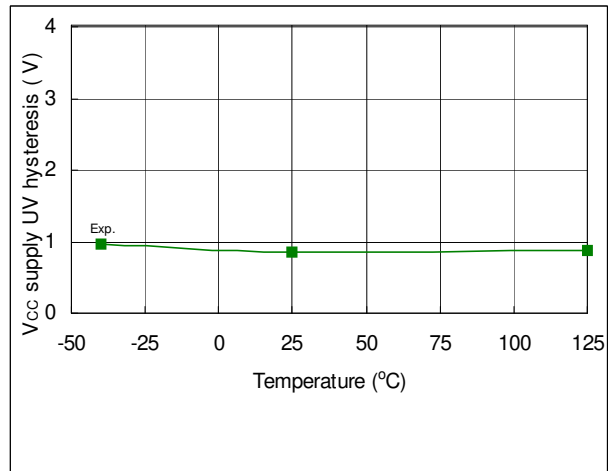
**Figure 31.** Output High SC Pulsed Current vs. Temperature



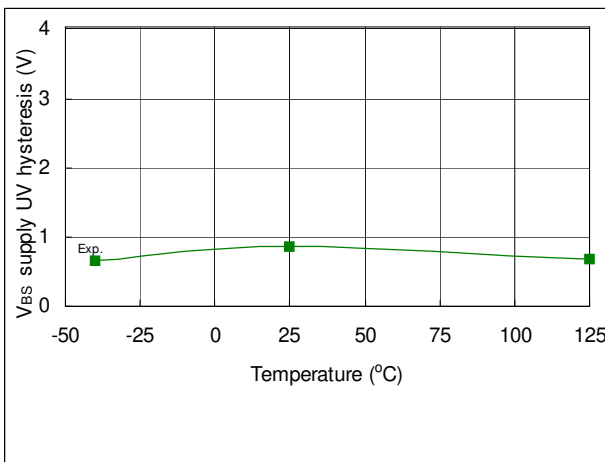
**Figure 32.** Output Low Short Circuit Pulsed Current vs. Temperature



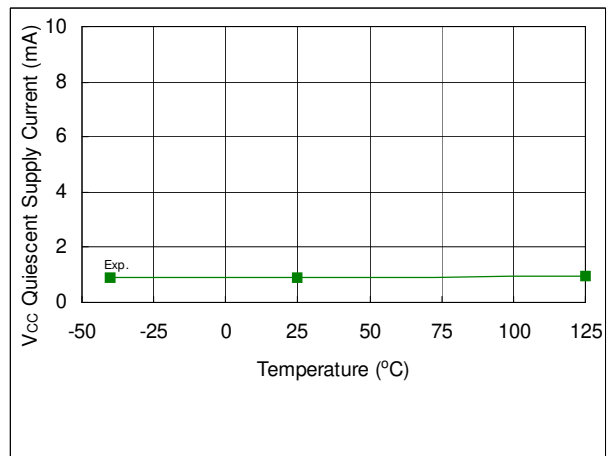
**Figure 33.** Tbson\_TYP vs. Temperature



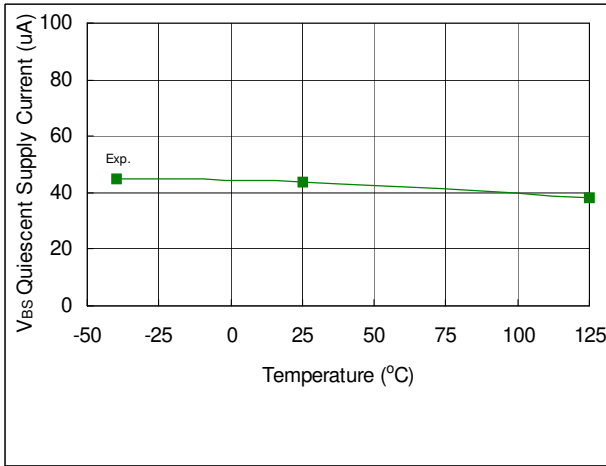
**Figure 34.** V<sub>CC</sub> Supply UV Hysteresis vs. Temperature



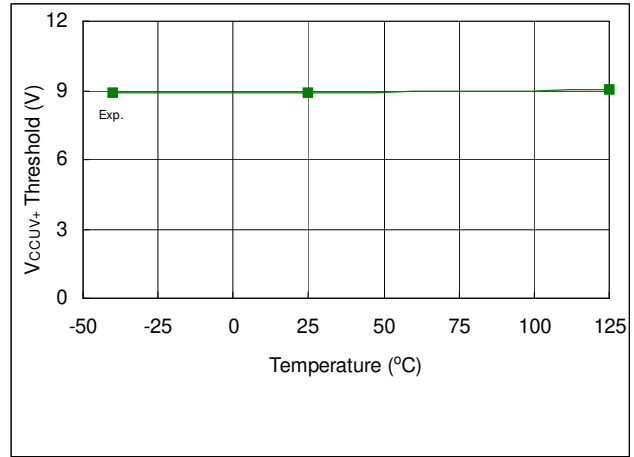
**Figure 35.** V<sub>BS</sub> Supply UV Hysteresis vs. Temperature



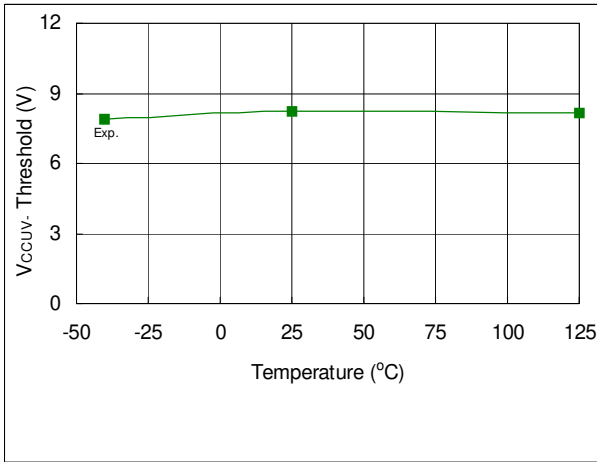
**Figure 36.** V<sub>CC</sub> Quiescent Supply Current vs. Temperature



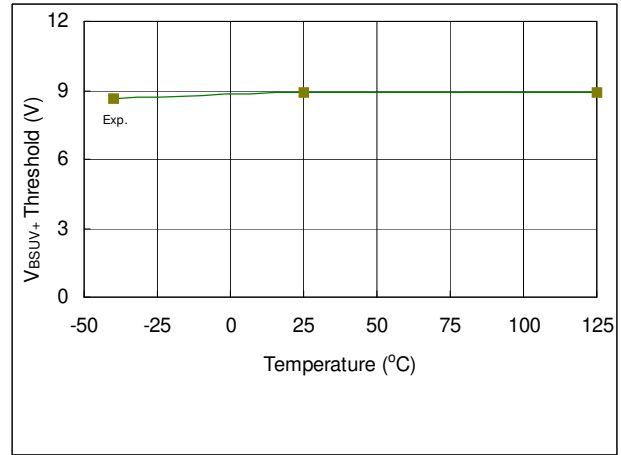
**Figure 37.** V<sub>BS</sub> Quiescent Supply Current vs. Temperature



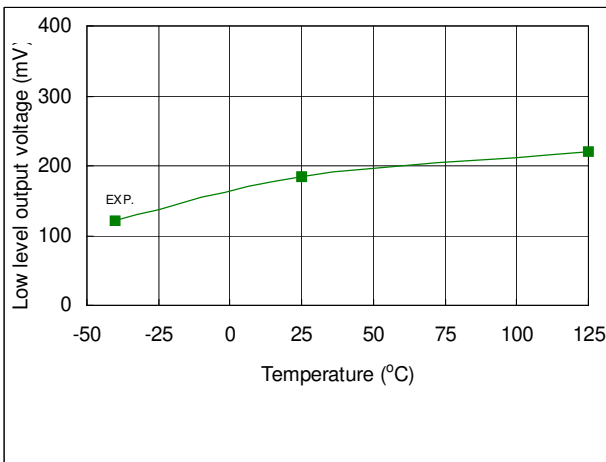
**Figure 38.** V<sub>CCUV+</sub> Threshold vs. Temperature



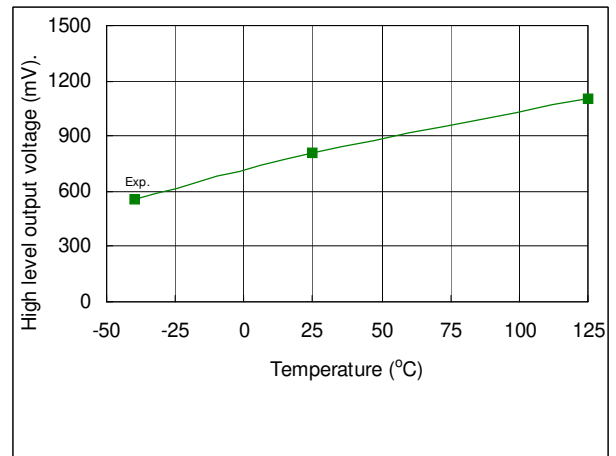
**Figure 39.** V<sub>CCUV-</sub> Threshold vs. Temperature



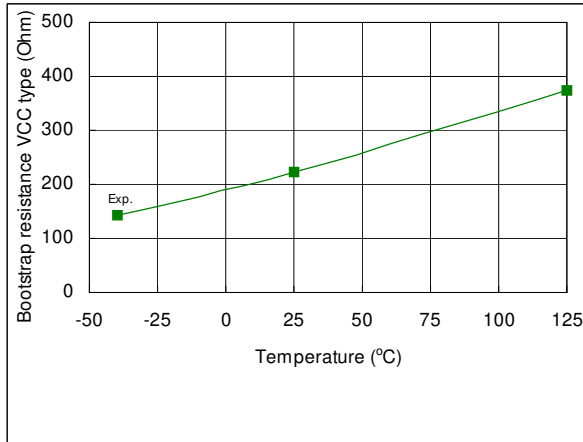
**Figure 40.** V<sub>BSUV+</sub> Threshold vs. Temperature



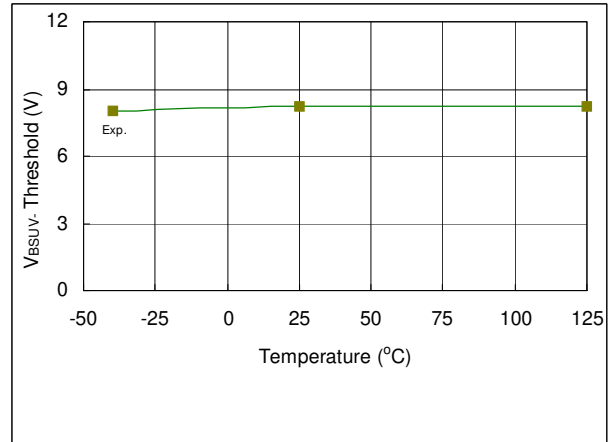
**Figure 41.** Low Level Output Voltage vs. Temperature



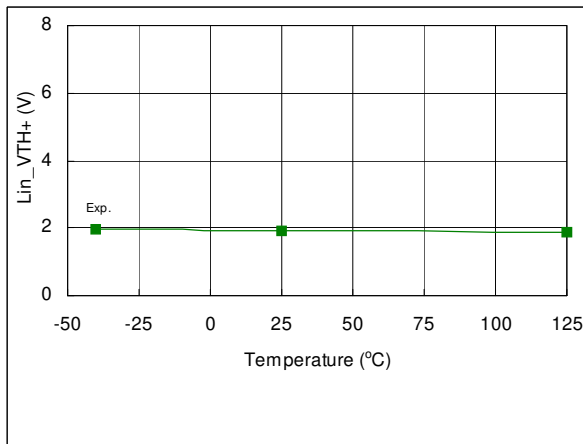
**Figure 42.** High Level Output Voltage vs. Temperature



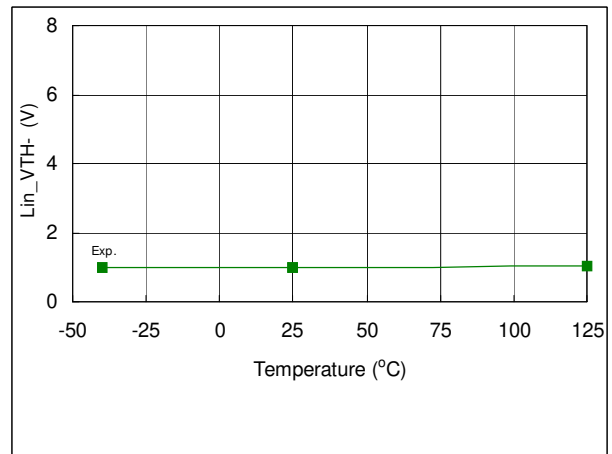
**Figure 43.** Bootstrap Resistance VCC type vs. Temperature



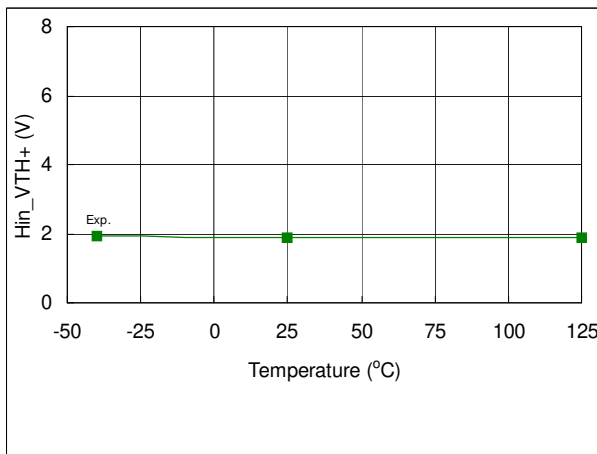
**Figure 44.** V<sub>BSUV-</sub> Threshold vs. Temperature



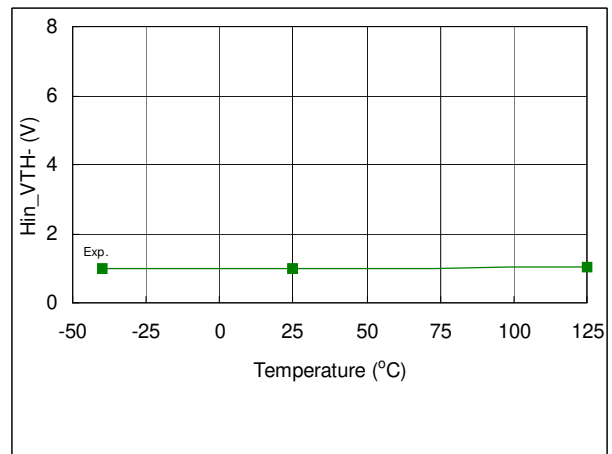
**Figure 45.** Lin\_VTH+ vs. Temperature



**Figure 46.** Lin\_VTH- vs. Temperature

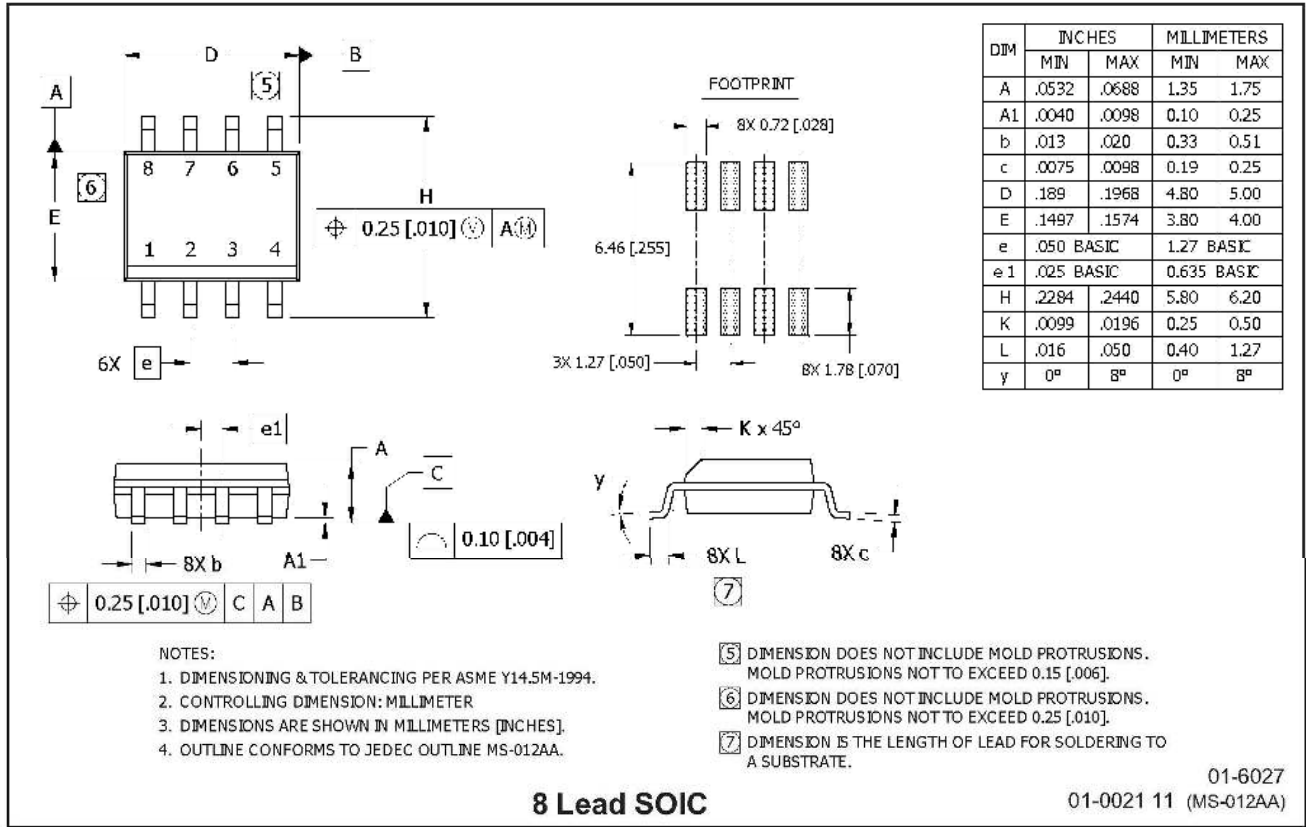


**Figure 47.** Hin\_VTH+ vs. Temperature

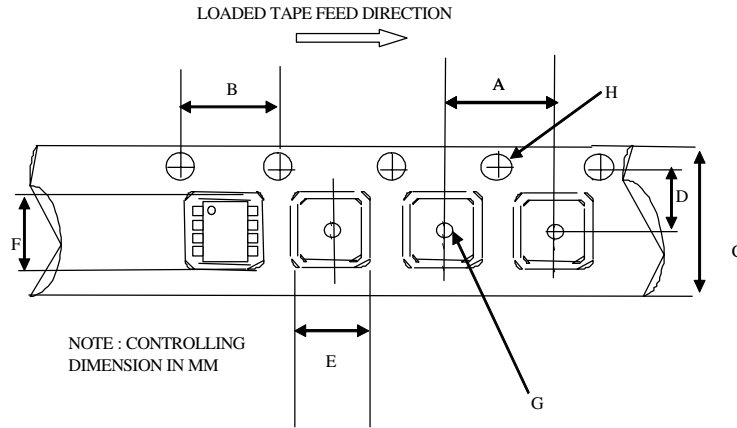


**Figure 48.** Hin\_VTH- vs. Temperature

## Package Details: 8-Lead SOIC

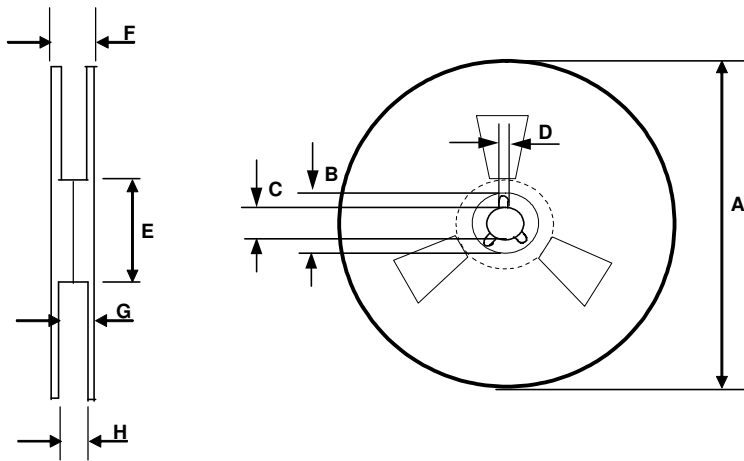


**Tape and Reel Details: 8-Lead SOIC**



CARRIER TAPE DIMENSION FOR 8SOICN

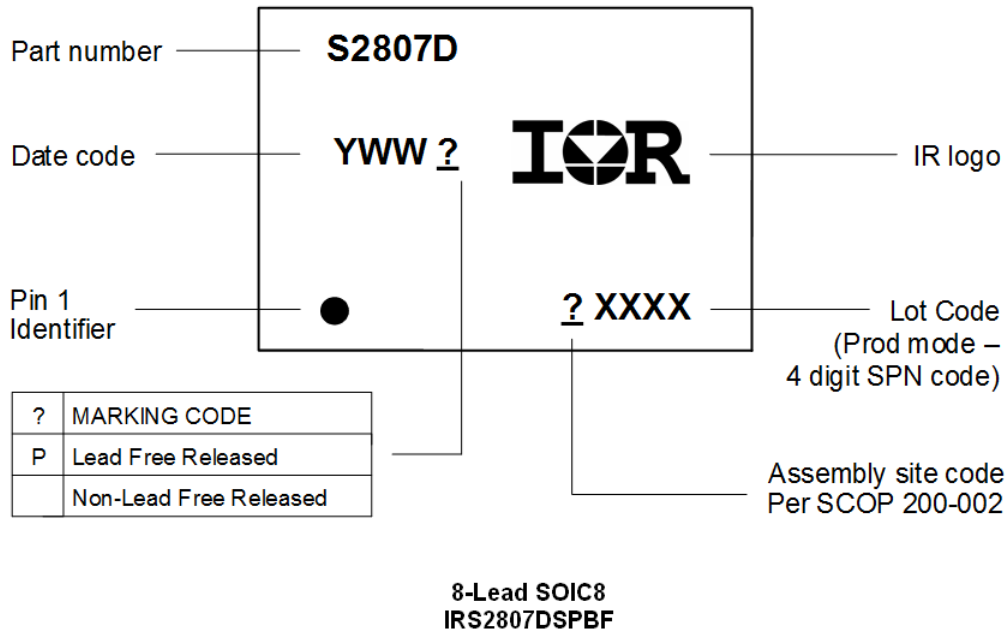
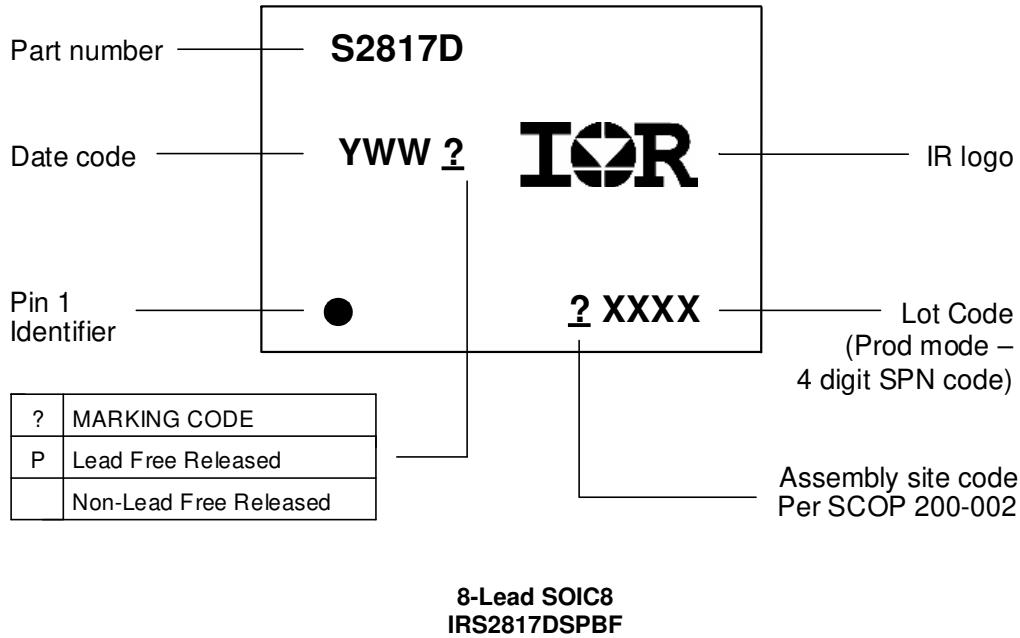
Code	Metric		Imperial	
	Min	Max	Min	Max
A	7.90	8.10	0.311	0.318
B	3.90	4.10	0.153	0.161
C	11.70	12.30	0.46	0.484
D	5.45	5.55	0.214	0.218
E	6.30	6.50	0.248	0.255
F	5.10	5.30	0.200	0.208
G	1.50	n/a	0.059	n/a
H	1.50	1.60	0.059	0.062



REEL DIMENSIONS FOR 8SOICN

Code	Metric		Imperial	
	Min	Max	Min	Max
A	329.60	330.25	12.976	13.001
B	20.95	21.45	0.824	0.844
C	12.80	13.20	0.503	0.519
D	1.95	2.45	0.767	0.096
E	98.00	102.00	3.858	4.015
F	n/a	18.40	n/a	0.724
G	14.50	17.10	0.570	0.673
H	12.40	14.40	0.488	0.566

**Part Marking Information**





**Qualification Information**

<b>Qualification Level</b>		Industrial <sup>†</sup>	
		Comments: This family of ICs has passed JEDEC's Industrial qualification. IR's Consumer qualification level is granted by extension of the higher Industrial level.	
<b>Moisture Sensitivity Level</b>		8-Lead SOIC	MSL2 <sup>††</sup> , 260°C (per IPC/JEDEC J-STD-020)
<b>ESD</b>	Human Body Model	Class 1C (per JEDEC standard JESD22-A114)	
	Machine Model	Class B (per EIA/JEDEC standard EIA/JESD22-A115)	
<b>IC Latch-Up Test</b>		Class I, Level A (per JESD78)	
<b>RoHS Compliant</b>		Yes	

† Higher qualification ratings may be available should the user have such requirements. Please contact your Infineon sales representative for further information.

†† Higher MSL ratings may be available for the specific package types listed here. Please contact your Infineon sales representative for further information.

**Published by  
Infineon Technologies AG  
81726 München, Germany  
© Infineon Technologies AG 2017  
All Rights Reserved.**

### **IMPORTANT NOTICE**

The information given in this document shall in no event be regarded as a guarantee of conditions or characteristics ("Beschaffheitsgarantie"). With respect to any examples, hints or any typical values stated herein and/or any information regarding the application of the product, Infineon Technologies hereby disclaims any and all warranties and liabilities of any kind, including without limitation warranties of non-infringement of intellectual property rights of any third party.

In addition, any information given in this document is subject to customer's compliance with its obligations stated in this document and any applicable legal requirements, norms and standards concerning customer's products and any use of the product of Infineon Technologies in customer's applications.

The data contained in this document is exclusively intended for technically trained staff. It is the responsibility of customer's technical departments to evaluate the suitability of the product for the intended application and the completeness of the product information given in this document with respect to such application.

For further information on the product, technology, delivery terms and conditions and prices please contact your nearest Infineon Technologies office ([www.infineon.com](http://www.infineon.com)).

### **WARNINGS**

Due to technical requirements products may contain dangerous substances. For information on the types in question please contact your nearest Infineon Technologies office.

Except as otherwise explicitly approved by Infineon Technologies in a written document signed by authorized representatives of Infineon Technologies, Infineon Technologies' products may not be used in any applications where a failure of the product or any consequences of the use thereof can reasonably be expected to result in personal injury.