

5

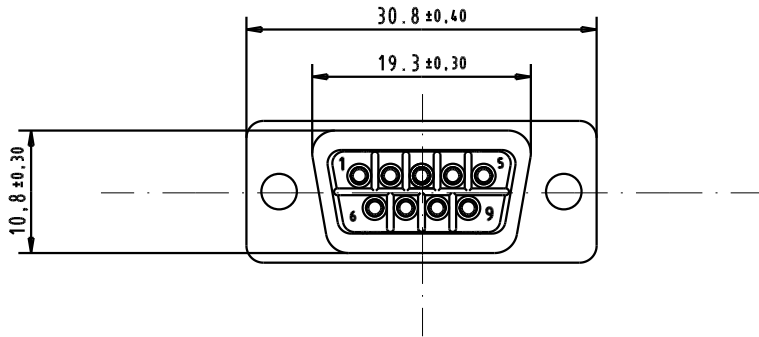
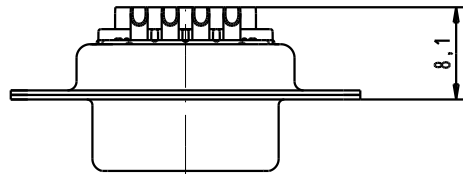
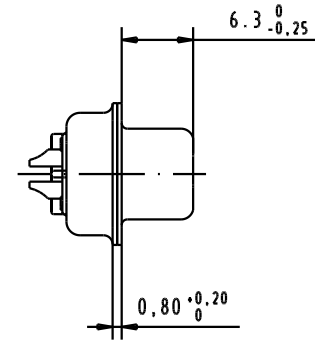
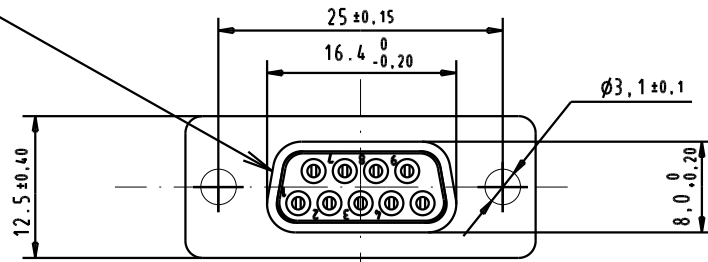
4

3

2

1



Mating face according to : MIL-C-24308 / DIN 41652 / CECC 75.01-802



- 1) Protection standard IP 67 according to IEC 529 / DIN 40050
- 2) Cable: AWG 20 max

A

09 67 409 4715	Au plating 0,76 µm mini
Part Number	Performance Level

				Dat.	Name	 <p>All Dim. in mm Orig. Size DIN A 4</p>	
				Detail.	10/10/03		S.H.
				Insp.			
				Stand.			
31559	10/10/03	S.H.	HARTING ELEKTRONIK F-95972 Paris				
Mod.	Dat.	Name					

					D-SUB IP67 female 9 Poles straight solder cup	Maßstab/ Scale
					TB 09 67 409 4715	Blatt/ Page
					Sub.	