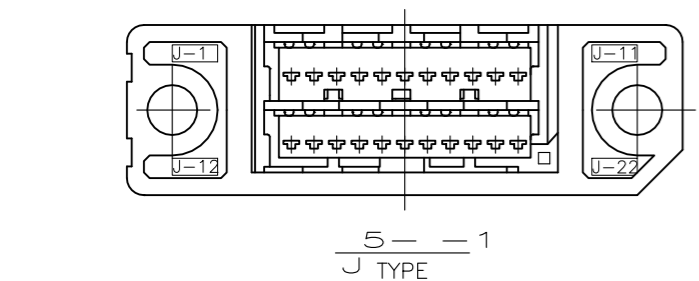
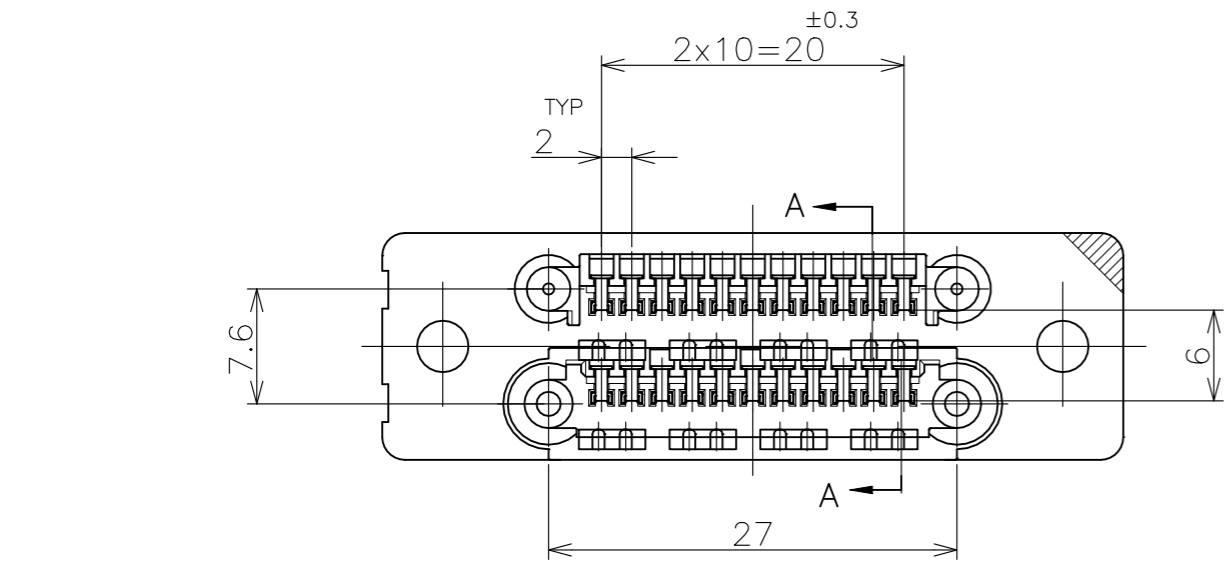
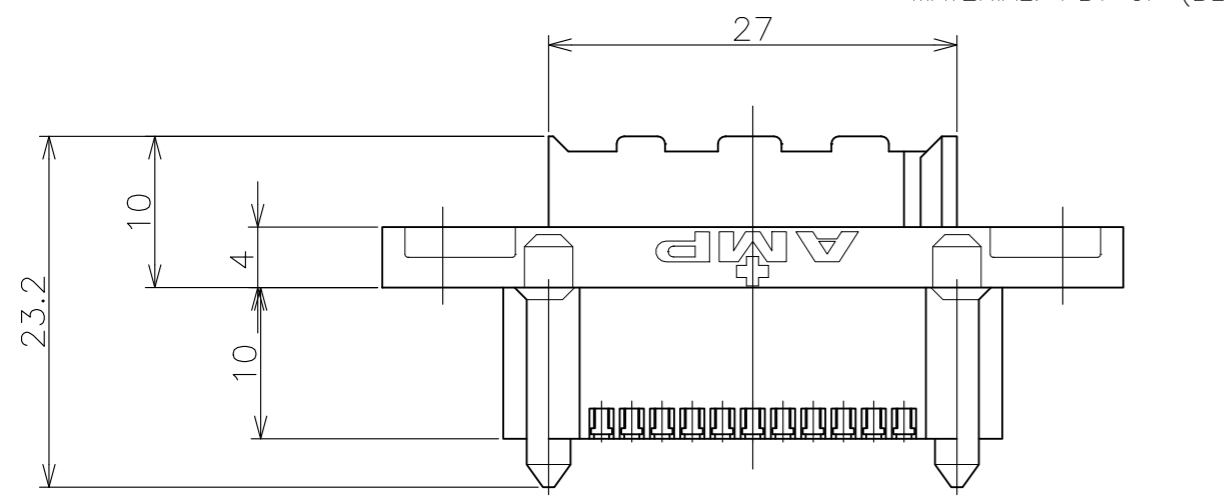
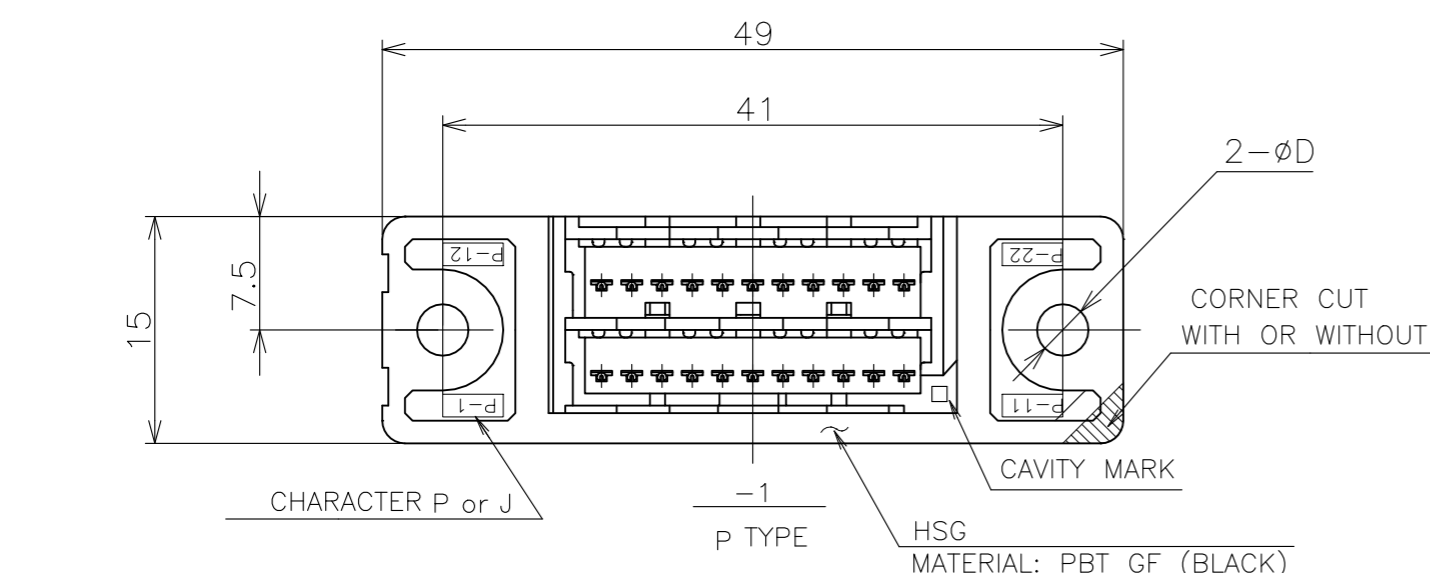
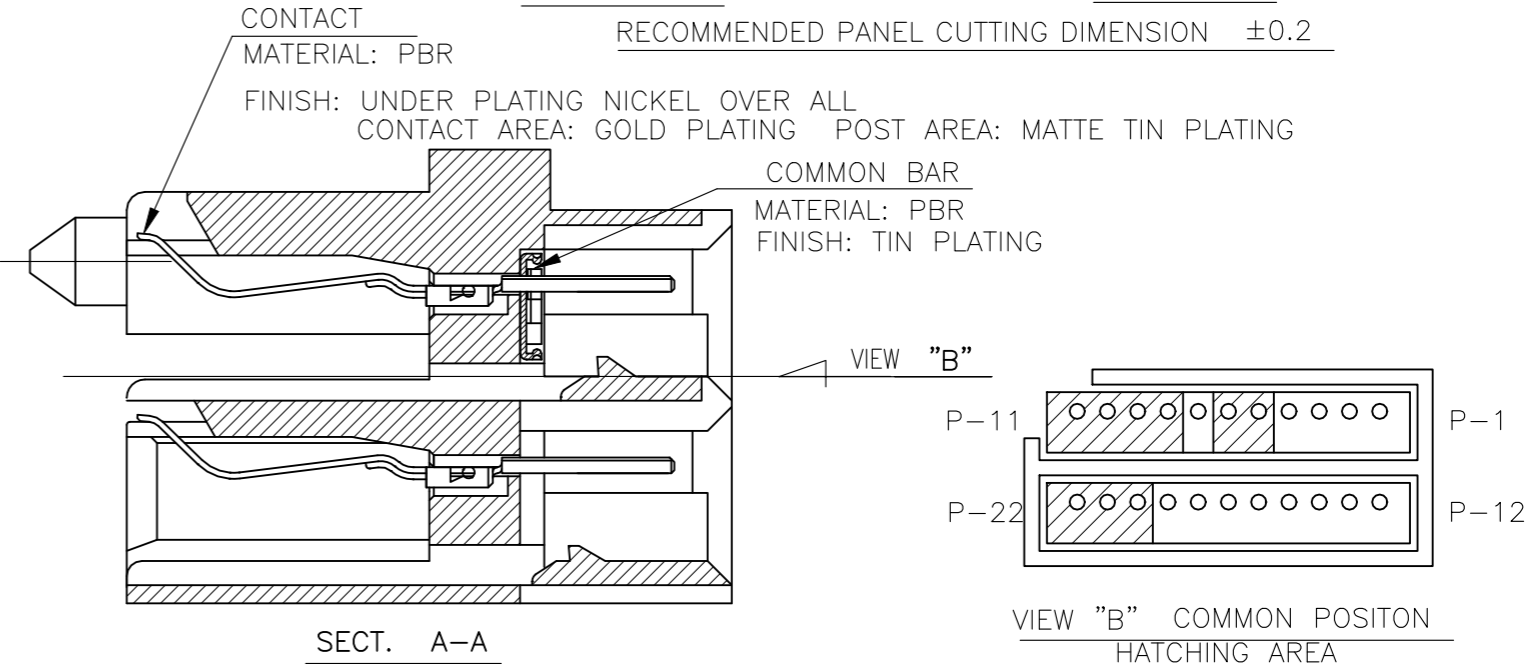
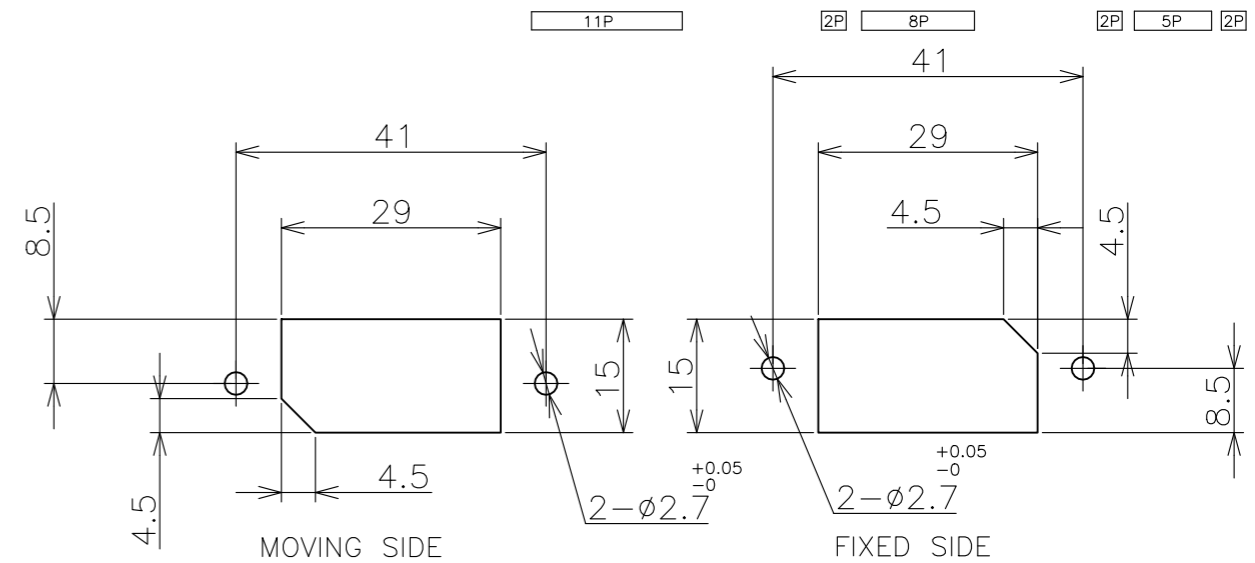


| REVISIONS | | | | |
|-----------|-----|---------------------------|-----------|---------|
| P | LTR | DESCRIPTION | DATE | APVD |
| B1 | | REVISED PER ECR-22-142516 | 13JUL2022 | SSM S.Y |



NOTES:

- 1 APPLIED USED TAPPING SCREW P/N: 176848-1
- 2 MATING CONN. OF POST SIDE: AMP CT CONN. HAS FOLLOWING PATTERN



| | | | | |
|------------|------------|-----|----------|------------|
| — — | CUT | 4.4 | J | 5-292178-1 |
| — — | — — | 3.4 | P | 292178-1 |
| COMMON TAB | CORNER CUT | D | HSG TYPE | P/N |

THIS DRAWING IS A CONTROLLED DOCUMENT.

| | | | |
|--------------------|--|------------------------|---|
| DIMENSIONS: mm | TOLERANCES UNLESS OTHERWISE SPECIFIED: | DWN J.JIANG 05FEB03 | STE TE Connectivity |
| | 0 PLC ± - | CHK S.YAO 05FEB03 | |
| | 1 PLC ± - | APVD T.SASAKI 05FEB03 | |
| | 2 PLC ± - | NAME | |
| MATERIAL SEE SHEET | FINISH SEE SHEET | PRODUCT SPEC 108-60021 | 22P MINI-DRAWER CONNECTOR |
| | | APPLICATION SPEC | SIZE A3 CAGE CODE 00779 DRAWING NO C-292178 RESTRICTED TO |
| | | WEIGHT 0.000000 | SCALE NTS SHEET 1 OF 1 REV B1 |
| | | CUSTOMER DRAWING | |