

1

2

3

4

A

B

C

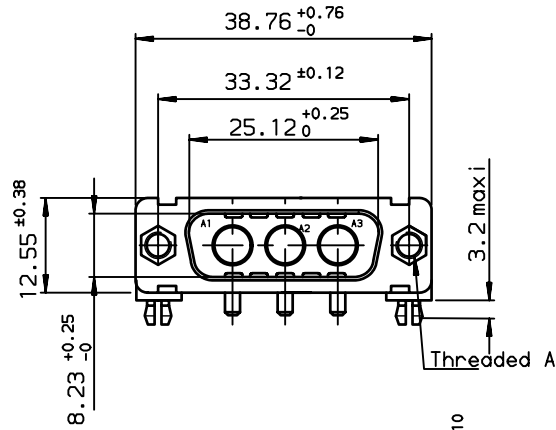
D

A

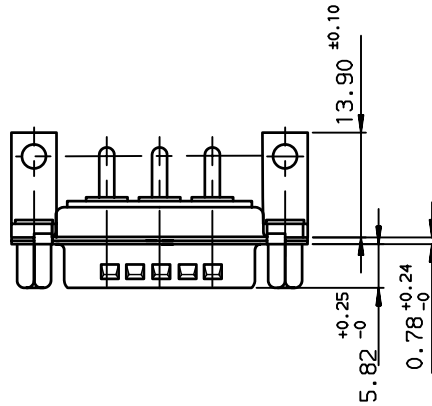
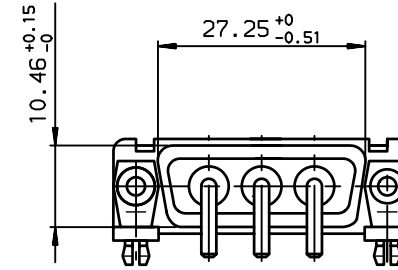
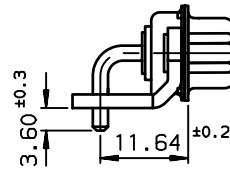
B

C

D



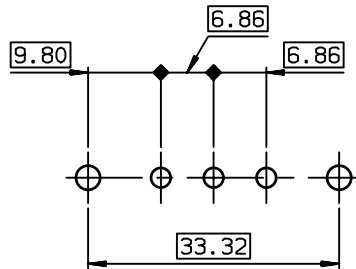
VIEW WITHOUT HARPOON



TIN LEAD PART NUMBER

| | |
|---------------|------------|
| DAV3W3P500G30 | UNC 4.40 |
| PART NUMBER | Threaded A |

LAYOUT DIMENSIONS (after plating)
CONNECTOR SIDE VIEW



GENERAL CHARACTERISTICS : SEE DRAWING C01-8639-0001

European Views

| | | | | |
|---------------------------------------|--------|-----------------------|-----------------------------------|------------------|
| www.fciconnect.com | | surface ISO 1302 ✓ | tolerance std ISO 406 ISO 1101 | projection mm |
| TOLERANCES UNLESS OTHERWISE SPECIFIED | | | | |
| Dr | JARRY | 1996/03/26 | ANGULAR | 0.X ±0.1 |
| Eng | PESSON | 1996/03/26 | LINEAR | 0.XX ±0.1 |
| Chr | LEGARE | 1996/03/26 | 0.XX' ±2' | 0.XXX ±0.1 |
| Appr | LEGARE | 1996/03/26 | Product family | D-SUB |
| | | | size | A3 |
| | | | Scale | 1.5 |
| | | | ECN | LS07-0080 |
| | | | Spec ref | - |
| Title | | | dwg no | Rev. |
| PIN CONNECTOR FOR POWERS CONTACTS | | | C01-8639-1746 | E |
| catalog no | | | CUSTOMER | sheet 1 of 1 |

| rev | ecn no | dr | date |
|-----|-----------|-----|------------|
| B | - | DEB | 2003/09/29 |
| C | LS05-001 | MPE | 2005/03/08 |
| D | LS06-0095 | LGO | 2006/06/27 |
| E | LS07-0080 | MPE | 2007/03/19 |
| - | - | - | - |
| - | - | - | - |
| - | - | - | - |

Copyright FCJ. FCJ

1

2

3

4