

PART NAME

NON-METALLIC ENCLOSURE (STYLE A)

PART No.

NBA-10144 & NBA-10164

MATERIAL:

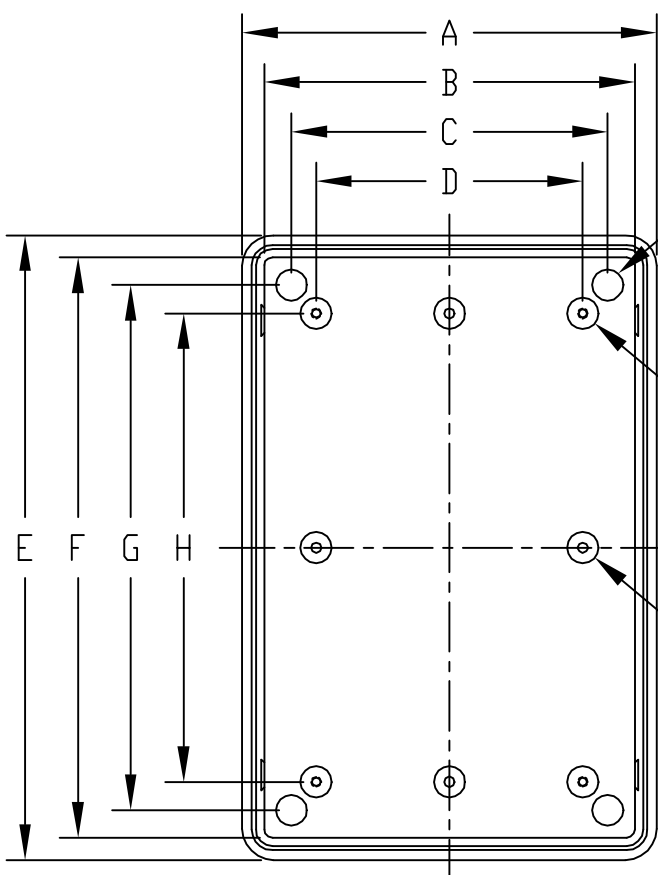
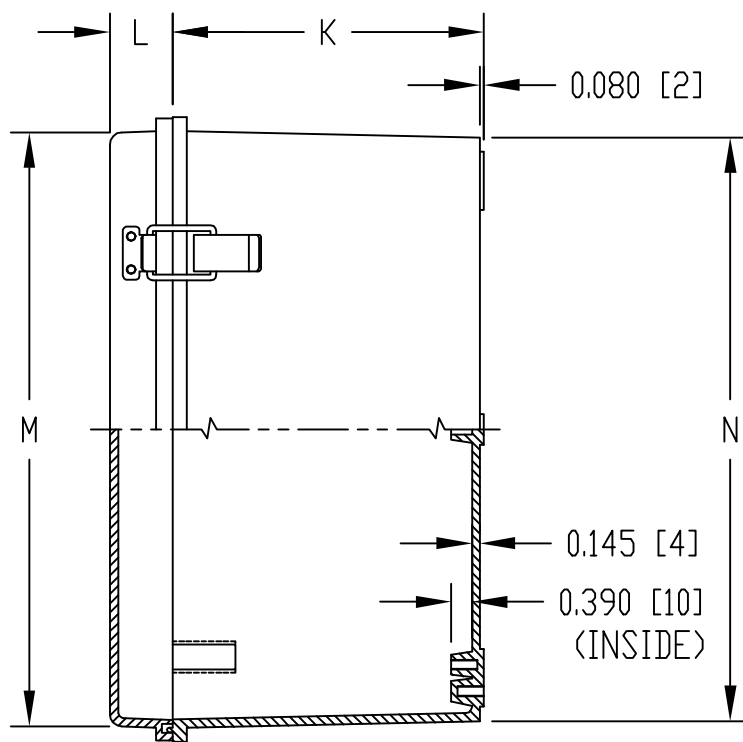
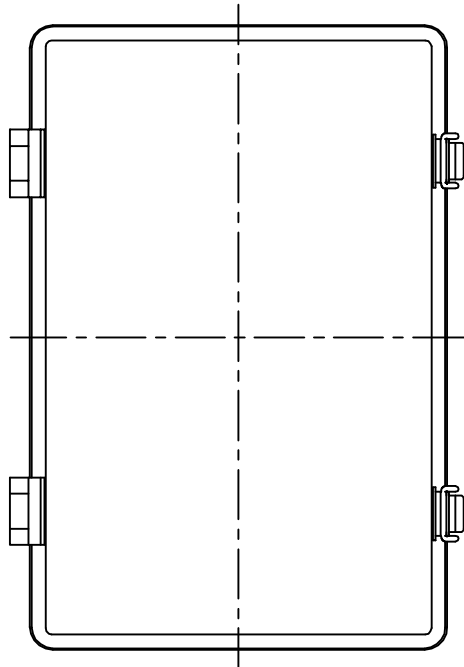
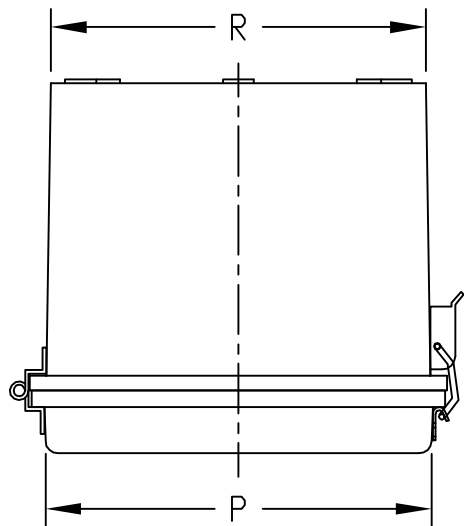
SOLID BODY & COVER _____ ABS/PC BLENDED PLASTIC
UL94-5VB FLAMMABILITY RATING

CLEAR COVER _____ POLYCARBONATE PLASTIC
UL94V-0 FLAMMABILITY RATING
UV STABILIZED

LATCHES, HINGES &
WALL MOUNTING BRACKETS _____ STAINLESS STEEL

FINISH:

BODY _____ LIGHT GRAY
COVER _____ LIGHT GRAY OR CLEAR



VIEW LESS COVER

0.590 [15] DIA. BOSS WITH M5 x 0.8mm THREADED BRASS INSERT (4) PLACES (FAR SIDE)

0.590 [15] DIA. BOSS WITH M5 x 0.8mm THREADED BRASS INSERT (4) PLACES

0.590 [15] DIA. BOSS WITH 0.197 [5] DIA. HOLE x 0.395 [10] DEEP (4) PLACES BOSSSES ACCEPT M6 METRIC OR 0.250" STD. SHEET METAL SCREWS x 0.375 [9] LG. (NOT SUPPLIED)

COVER INCLUDES GRAY POLY-URETHANE GASKET.

NOTE: UNIT COMES COMPLETE WITH (4) WALL MOUNTING BRKTS. & (4) M5 x 10mm LG. TRUSS HD. MACHINE SCREWS (NOT SHOWN)

INTERNAL HINGED PANEL MOUNTING BRACKETS, AIR & MOISTURE VENTS, STAINLESS STEEL LOCKING HASP AND GALVANIZED STEEL INTERNAL PANEL ARE NOT INCLUDED, BUT CAN BE PURCHASED SEPARATELY.

INDUSTRY STANDARDS:

UL508 TYPE 1, 2, 4, 4X INDOOR, 12 & 13
NEMA TYPE 1, 2, 4, 4X, 12 & 13
IEC529-IP65

DIMENSIONS = INCHES [MILLIMETERS]

NOTE: ALL DIMENSIONS HAVE ±0.039 [±1] TOLERANCE UNLESS OTHERWISE SPECIFIED

| PART NO. | | DIMENSIONS | | | | | | | | | | | | | |
|-------------|-------------|----------------|----------------|----------------|----------------|-----------------|-----------------|----------------|----------------|----------------|---------------|-----------------|-----------------|----------------|----------------|
| SOLID COVER | CLEAR COVER | A | B | C | D | E | F | G | H | K | L | M | N | P | R |
| NBA-10144 | NBA-10164 | 7.848 [199] | 7.021 [178] | 5.990 [152] | 5.050 [128] | 11.832 [301] | 10.989 [279] | 9.949 [253] | 8.872 [225] | 5.899 [150] | 1.186 [30] | 11.253 [286] | 11.060 [281] | 7.308 [186] | 7.100 [180] |