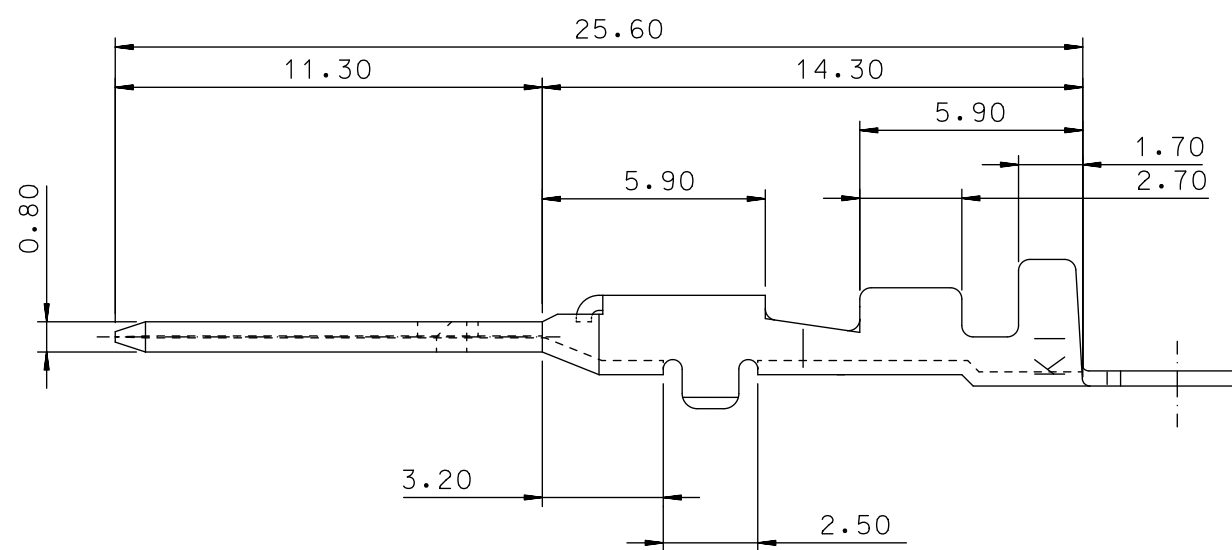
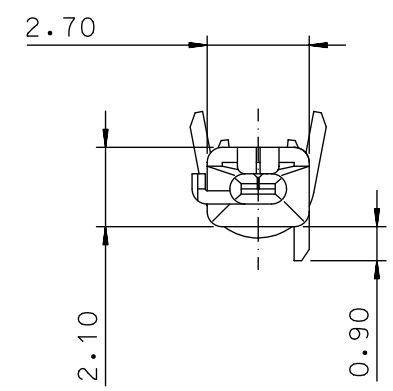
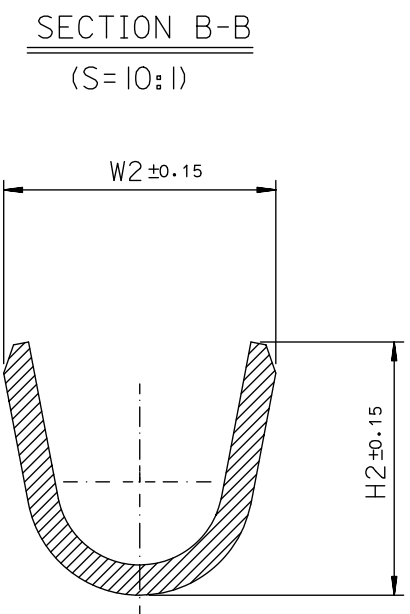
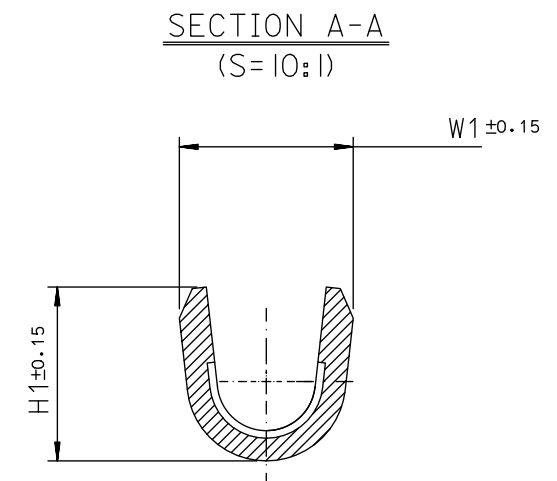
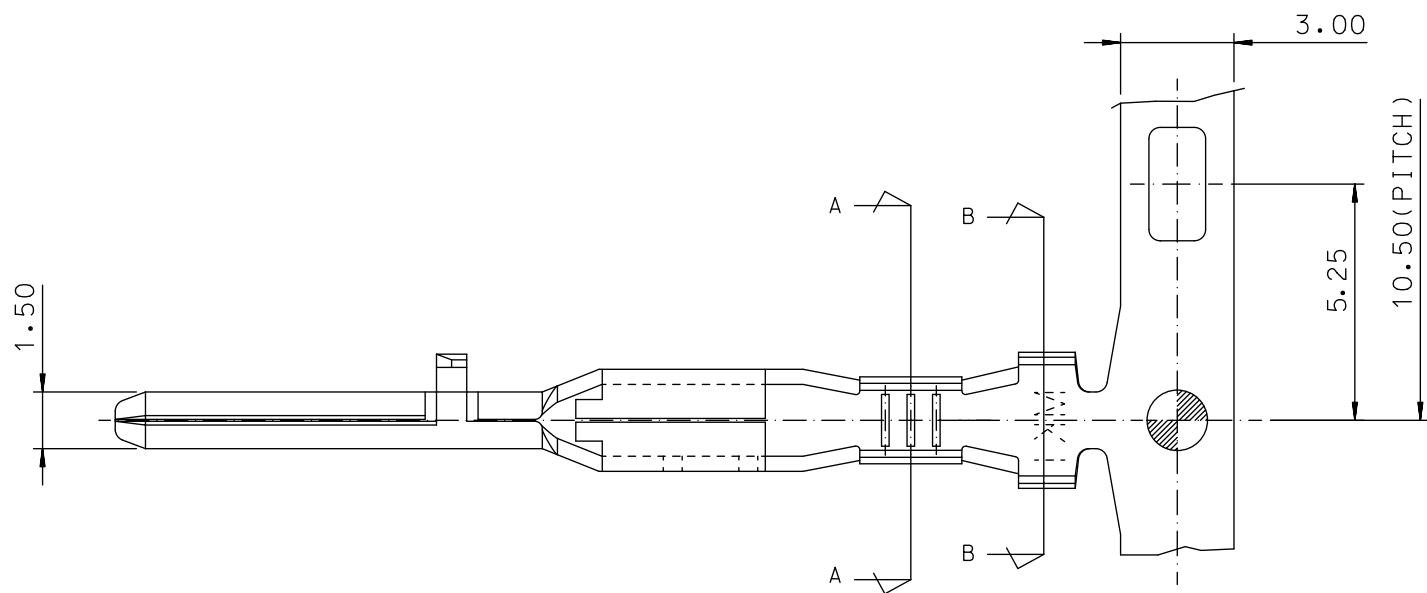


ENG.NO	MATERIAL NO.	DESCRIPTION	DIMENSION						WIRE RANGE mm <sup>2</sup>
			W1	H1	R1	W2	H2	R2	
57964-9702	579649702	.060 MALE TER'L(S)	2.3	2.3	R0.65	3.6	3.35	R0.90	AVS(CAVS) 0.3,0.5
57964-9802	579649802	.060 MALE TER'L(M)	2.8	2.95	R0.9	4.2	3.9	R1.3	AVS(CAVS) 0.5,0.85,1.25
57964-9902	579649902	.060 MALE TER'L(L)	3.8	4.1	R1.1	4.5	4.0	R1.4	AVSS 2f



1. MATERIAL: BRASS,  $\pm=0.35\pm0.02$   
 2. FINISH: PRE-TIN

THIS DRAWING CONTAINS INFORMATION THAT IS PROPRIETARY TO MOLEX ELECTRONIC TECHNOLOGIES, LLC AND SHOULD NOT BE USED WITHOUT WRITTEN PERMISSION									
FUNCTIONAL SYMBOLS	DIMENSION UNITS	SCALE	CURRENT REV DESC: Corrected typo						
$\nabla_A = 0$	mm	1:1	PHASE: Design Production CO NO: CO-000001719 DRWN: Seung Uk Park CHK'D: Takashi Iida APPR: Takashi Iida						
$\nabla_B = 0$	GENERAL TOLERANCES (UNLESS SPECIFIED)								
$\nabla_C = 0$	ANGULAR TOL $\pm 0.5^\circ$								
DIVISIONAL SYMBOLS	3 PLACES	$\pm$	2022-11-09	PRODUCT SALES DRAWING					
	2 PLACES	$\pm 0.300$	2022-11-09	DOCUMENT NUMBER		DOC TYPE	DOC PART	REVISION	
	1 PLACE	$\pm$	2022-11-09	SD-57964-002		PSD	001	B1	
	0 PLACES	$\pm$		MATERIAL NUMBER		CUSTOMER		SHEET NUMBER	
	DRAFT WHERE APPLICABLE MUST REMAIN WITHIN DIMENSIONS		THIRD ANGLE PROJECTION	DRAWING	SERIES	GENERAL MARKET		1 OF 1	
				B-SIZE	68503				