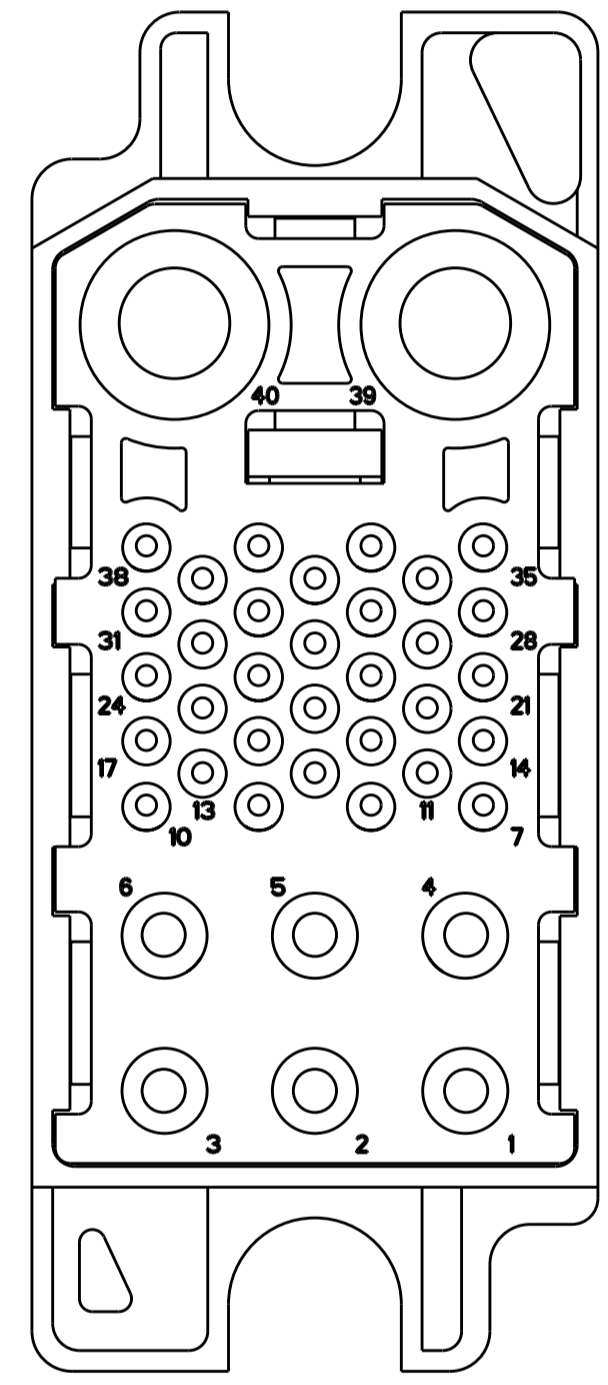
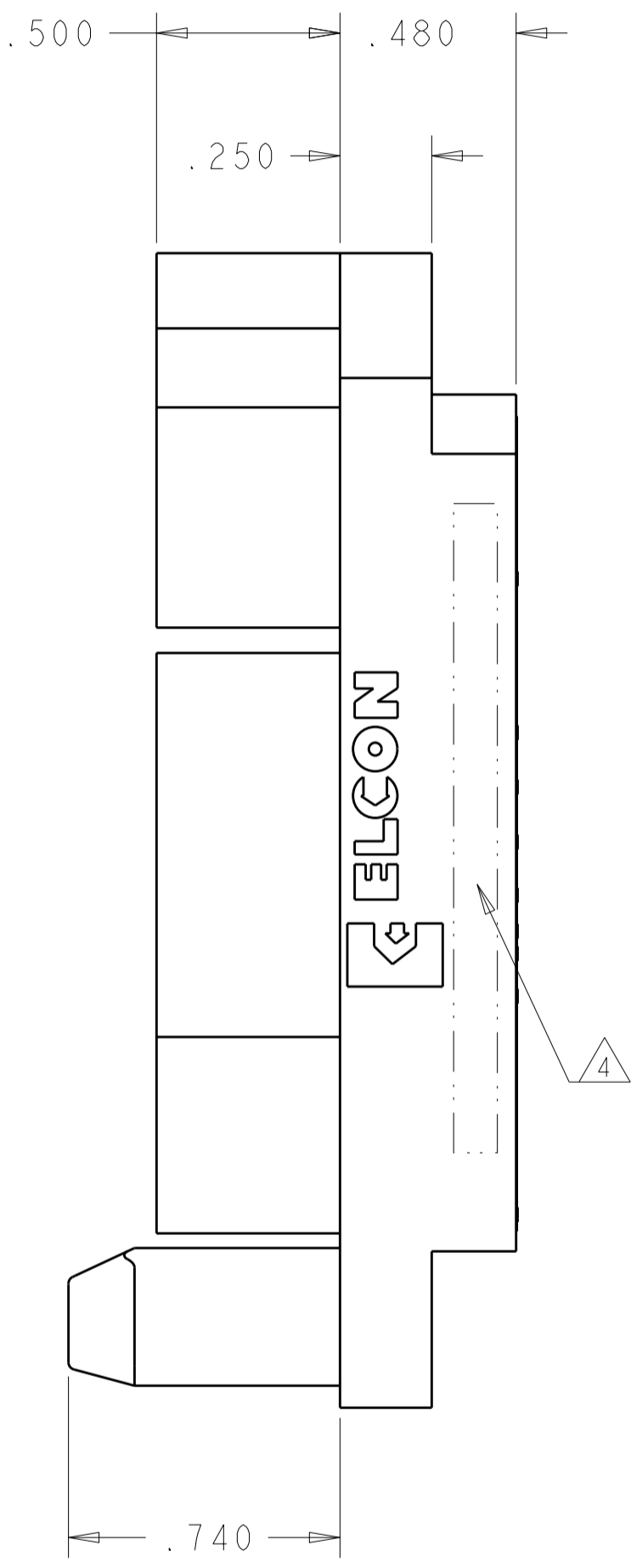
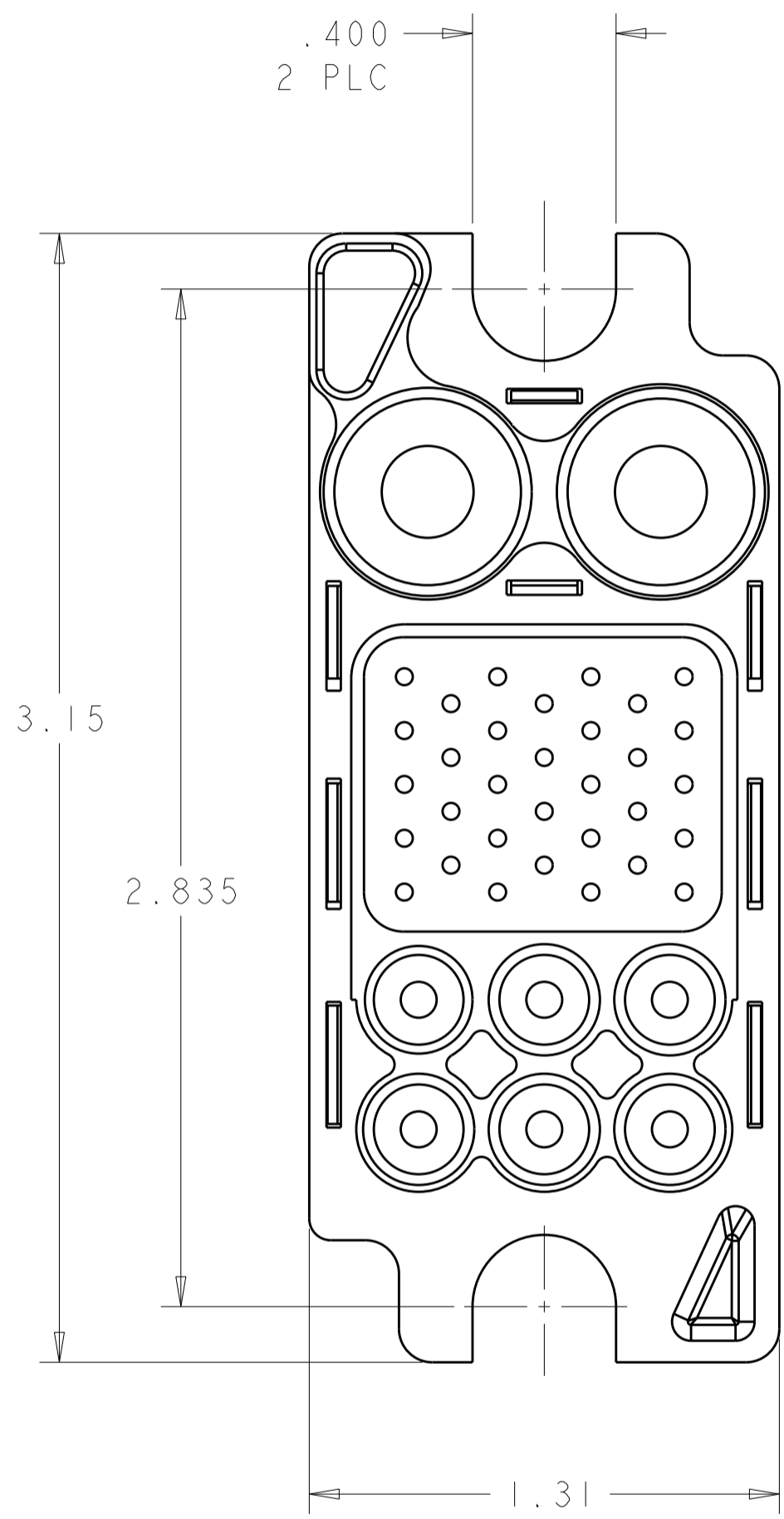


THIS DRAWING IS UNPUBLISHED. RELEASED FOR PUBLICATION 20
 © COPYRIGHT 20 BY TYCO ELECTRONICS CORPORATION. ALL RIGHTS RESERVED.

LOC		DIST		REVISIONS			
P	LTR	DESCRIPTION	DATE	DWN	APVD		
GP	00						
	A	RELEASED	11MAY2006	RG	SF		
	B	REV PER ECO-11-008901	29APR2011	RG	DO		



- PIN CONTACTS SIZE #4 (D)
- PIN CONTACTS SIZE #20 (B)
- PIN CONTACTS SIZE #12 (C)

REAR VIEW

ELCON MIDDLE DRAWER

AS SHOWN	6643169-1
DESCRIPTION	PART NUMBER

THIS DRAWING IS A CONTROLLED DOCUMENT FOR TYCO ELECTRONICS CORPORATION. IT IS SUBJECT TO CHANGE AND THE CONTROLLING ENGINEERING ORGANIZATION SHOULD BE CONTACTED FOR THE LATEST REVISION.		DWN R. GRZYBOWSKI 11MAY2006	Tyco Electronics Harrisburg, PA 17105-3608
DIMENSIONS: INCHES		CHK S. FLICKINGER 11MAY2006	
TOLERANCES UNLESS OTHERWISE SPECIFIED:		APVD S. FLICKINGER 11MAY2006	
0 PLC ± 1 PLC ± 2 PLC ±.01 3 PLC ±.006 4 PLC ± ANGLES ± FINISH ±		PRODUCT SPEC -	
MATERIAL -		APPLICATION SPEC -	NAME CONNECTOR, PIN CRIMP CONTACT 125A MIDDLE DRAWER
		WEIGHT -	SIZE A2 CAGE CODE 00779 DRAWING NO. C-6643169 RESTRICTED TO -
CUSTOMER DRAWING			SCALE 2:1 SHEET 1 OF 2 REV B

