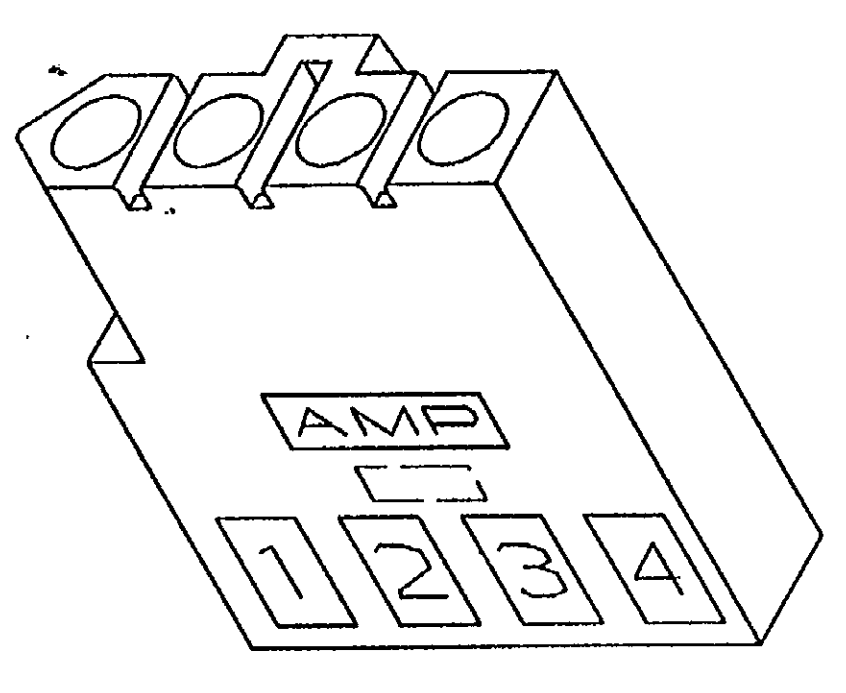
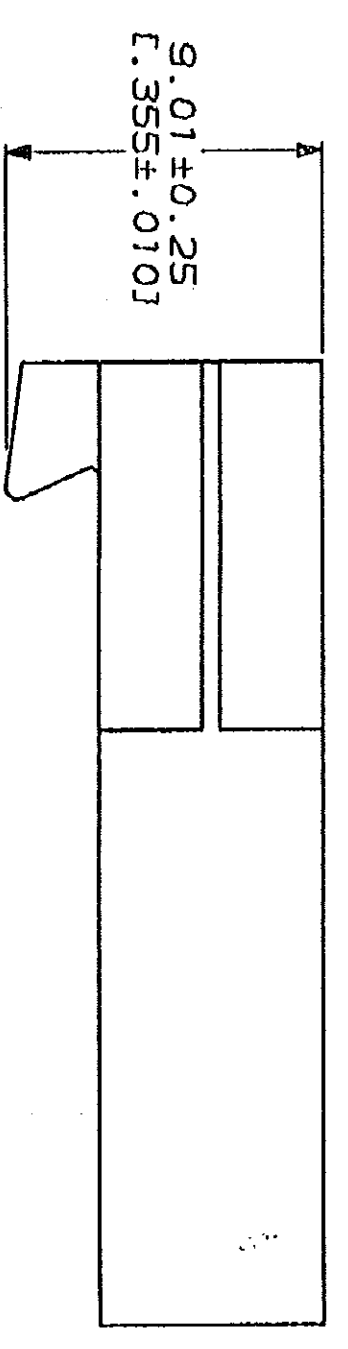
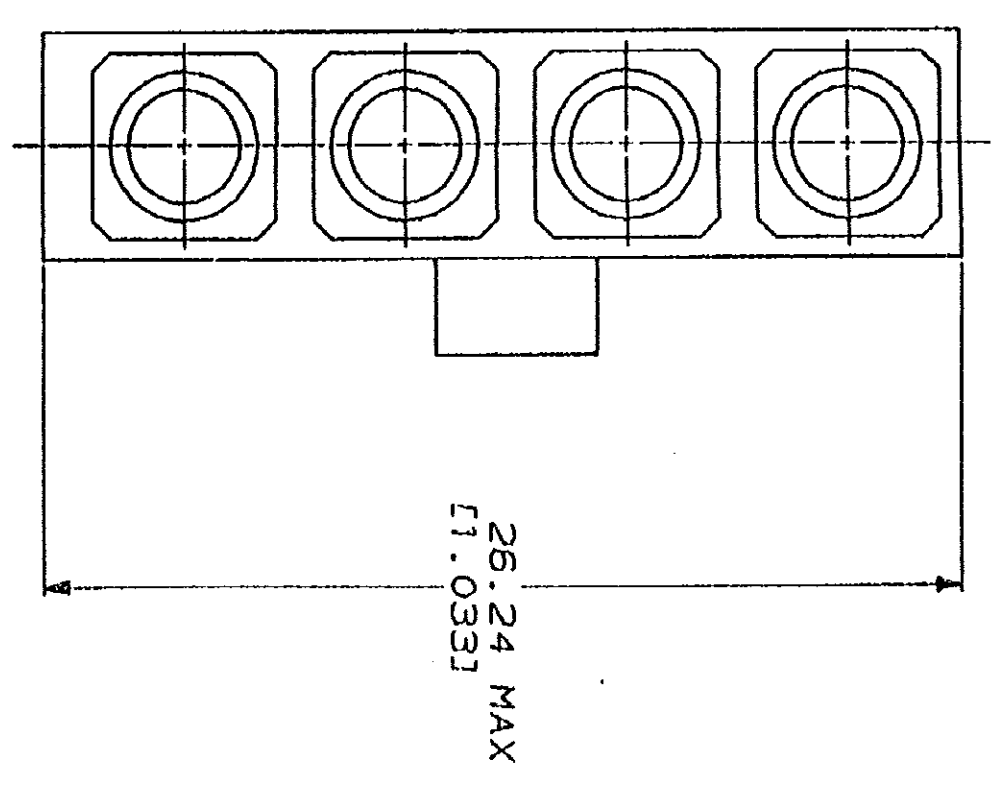
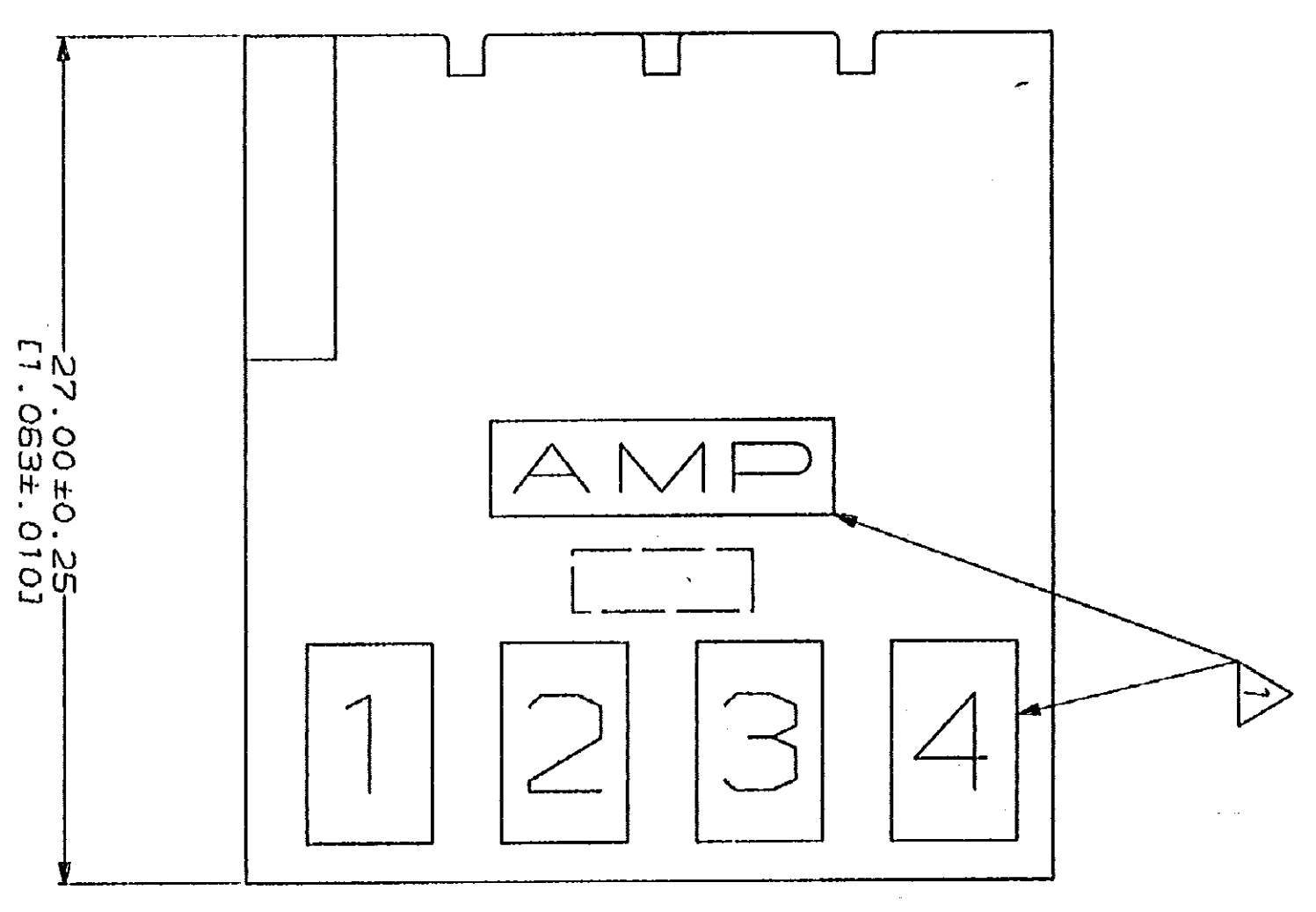
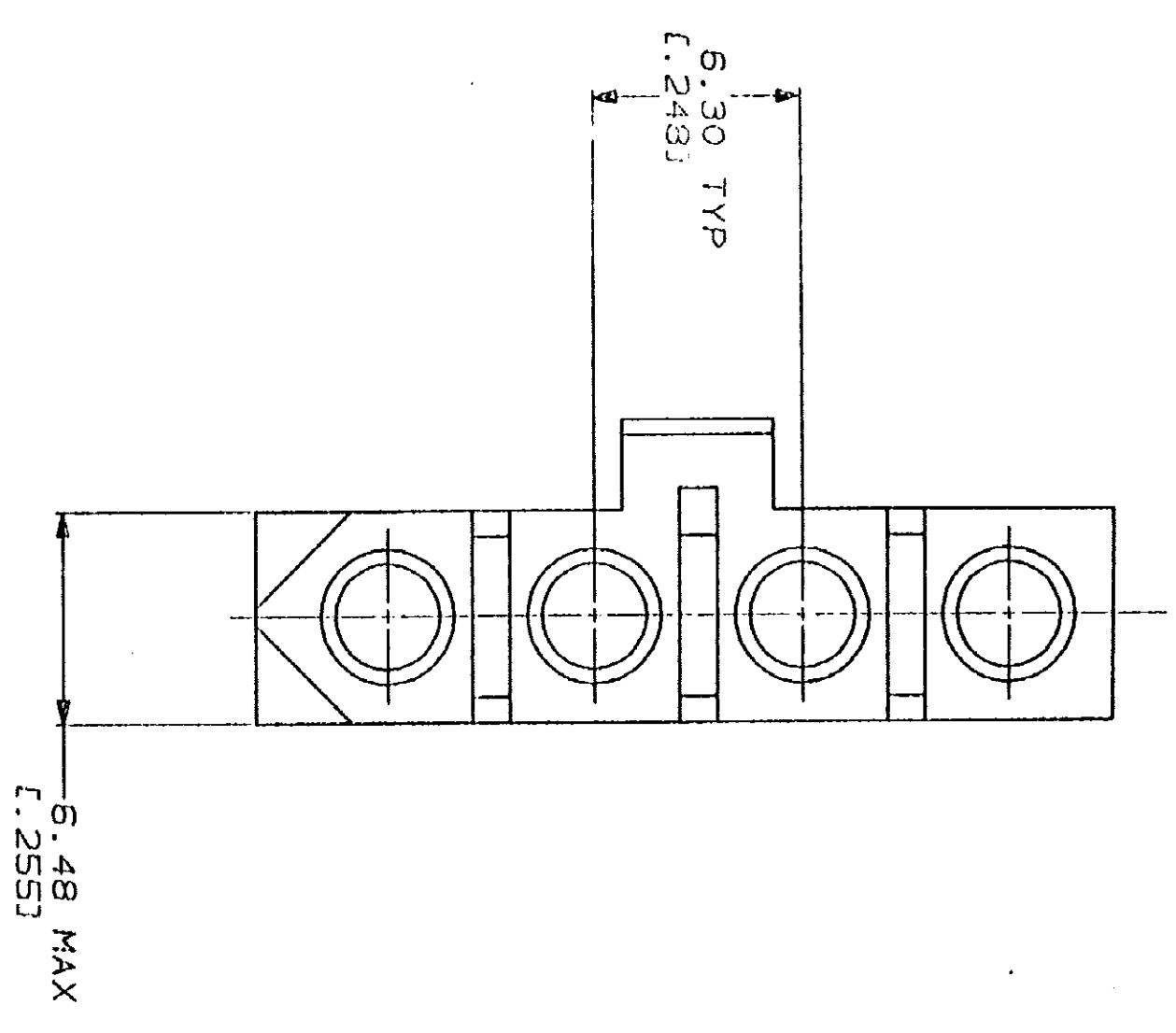


DRAWING MADE IN THIRD ANGLE PROJECTION
 THIS DRAWING IS UNAPPROVED FOR PUBLICATION
 © COPYRIGHT 1987 BY AMP INCORPORATED. ALL INTERNATIONAL RIGHTS RESERVED.

REV	DATE	APPD	DESCRIPTION
1	11-18-87	SS	
2			B1 REVISED PER ECM CW-3387



3 DIMENSIONAL MODEL
NTS

△ AMP LOGO AND CIRCUIT NUMBERS LOCATED IN THIS AREA, EITHER SIDE.
 2. DIMENSIONS IN BRACKETS ARE IN INCHES.

DO NOT SCALE PRINT. UNLESS SPECIFIED DIMENSIONS IN mm (INCHES) DIMENSIONS ON 1 3 PLG DEC # 0.13 (0.005) ANGLES # # # # # MATERIAL NYLON, UL 94V-2 NATURAL		DR K. WHITAKER 10-31-90	CHK R. SWINE 10-31-90	APPD C. CASH 10-31-90	PRODUCT SPEC	APPLICATION SPEC	FINISH
RECEPTACLE, POSITIVE LOCK, 4 CIRCUIT, COMMERCIAL PIN AND SOCKET		AMP AMP Incorporated Harrisburg, PA 17105-3508		PART NO 770784-1		SIZE D 00779	SCALE 5:1

METRIC

CUSTOMER DRAWING

AMP GROUP 3323 177-24 1TH DECK