

MATERIALS AND FINISHES:

COUPLING NUT ZINC ALLOY
PLATED NICKEL

BODY BRASS
PLATED NICKEL

INSULATOR TEFLON

CONTACT BRASS
PLATED GOLD

CRIMP TUBE BRASS
PLATED NICKEL

RETAINING RING BRASS
PLATED NICKEL

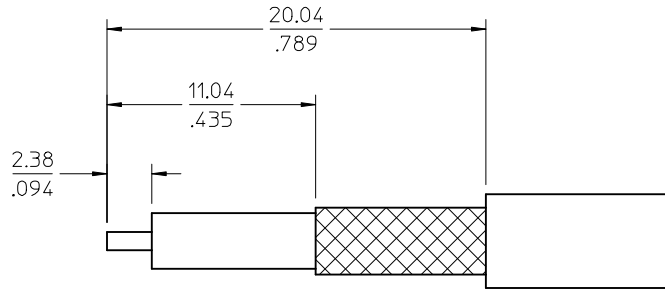
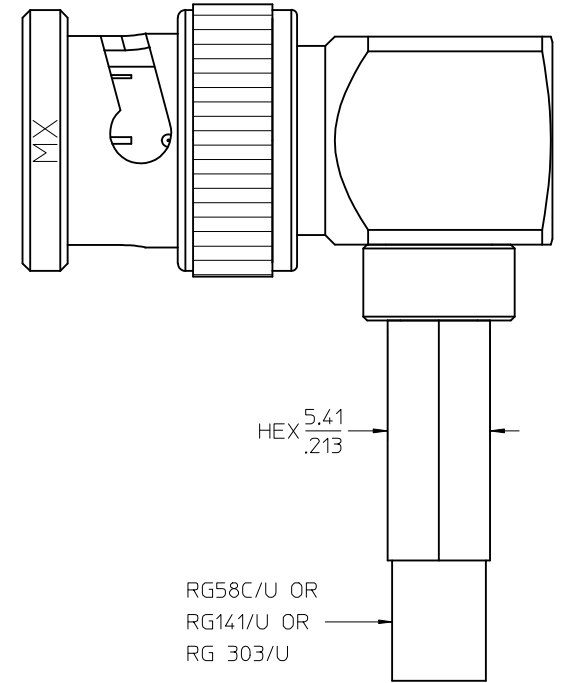
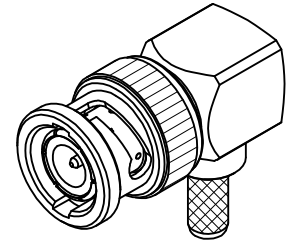
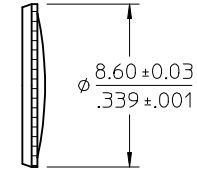
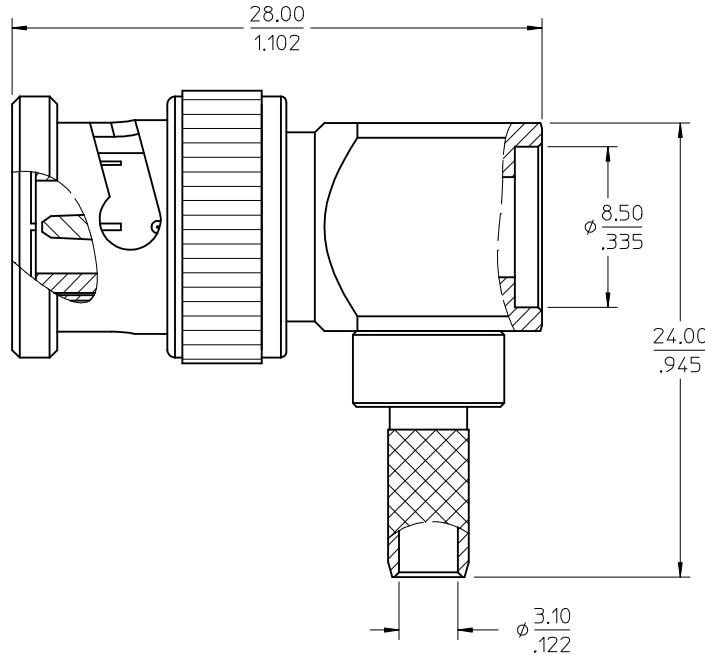
SPRING WASHER BERYLLIUM COPPER
PLATED NICKEL

WASHER BRASS
PLATED NICKEL

GASKET SILICONE RUBBER

COVER BRASS
PLATED NICKEL

PACKAGING: BY TRAY



RECOMMENDED CABLE STRIP DIMENSIONS

PART # 73100-0015

AS-73597-0010	ASSEMBLY INSTRUCTION
MIL-STD-348A, FIG. 301.1	INTERFACE
SPECIFICATION	DESCRIPTION

CHG: ADD PKG PER RF15-E279 EC NO: URF2016-0091 DRW: CME102 2015/08/06 CHKD: APPR: YCHENG 2015/08/07	DESCRIPTION REV:	QUALITY SYMBOLS ▽=0 ▽=0 ▽=0	GENERAL TOLERANCES (UNLESS SPECIFIED) mm INCH 4 PLACES ± --- ± --- 3 PLACES ± --- ± --- 2 PLACES ± --- ± --- 1 PLACE ± --- ± --- 0 PLACE ± ±	DIMENSION STYLE MM/IN	SCALE DESIGN UNITS METRIC	THIRD ANGLE PROJECTION
		ANGULAR ± 2 ° DRAFT WHERE APPLICABLE MUST REMAIN WITHIN DIMENSIONS	DRAWN BY RYEH 2011/08/16 CHECKED BY KERRIE 2011/08/16 APPROVED BY MHUANG 2011/08/25	TITLE BNC PLUG R/A FOR RG58C/U, RG141/U, RG303/U BNC-P/CABLE molex	MATERIAL NO. 731000015	DOCUMENT NO. SD-73100-0015