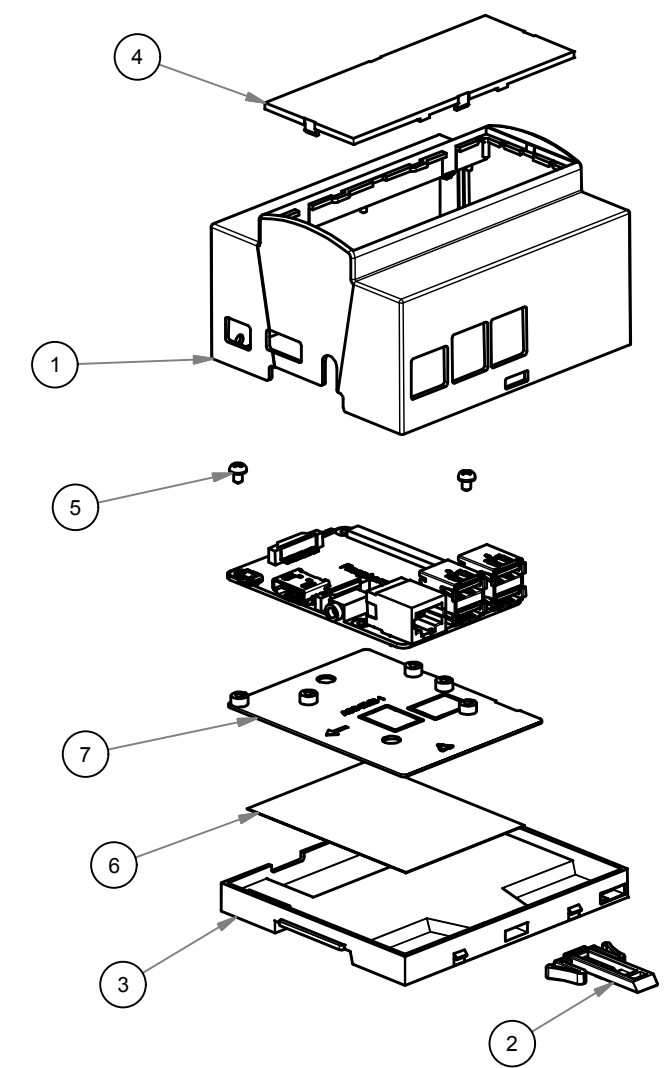
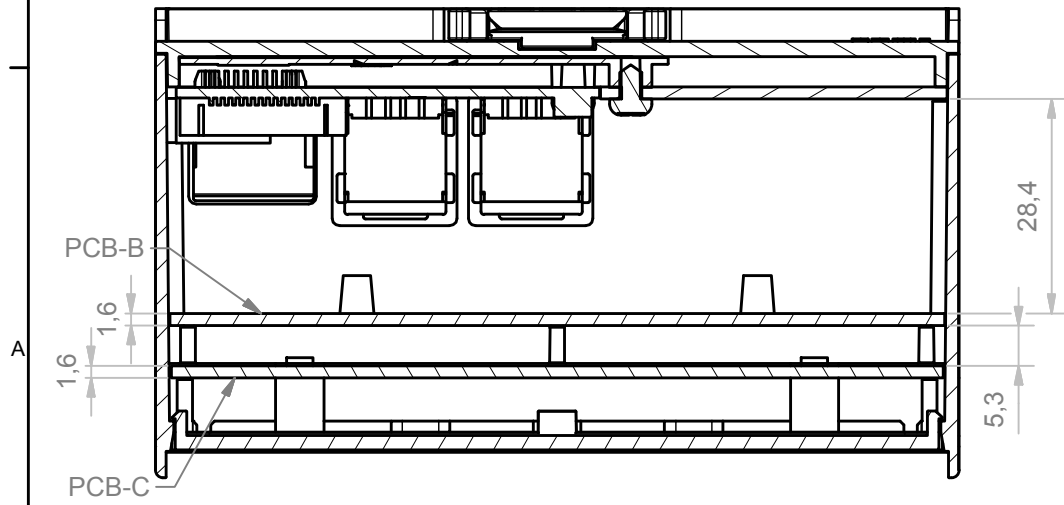


PCB TYPE	PCB DIMENS	TOLERANCE
B	102,5 x 86,4	+/- 0.1 mm
C	102,1 x 42,0	+/- 0.1 mm



A-A (1:1)



RIF.	Q.TY	DESCRIPTION	DRAWING
1	1	BODY 6M53-C XTS RASPBERRY PI B+	1.001.05594
2	1	MODULAR HOOK LONG	1.001.01900
3	1	BASE 6M XT RASPBERRY B+/3 FOR BASE EMBEDDED ACCESSORY	1.001.07810
4	1	PANEL 6M WITHOUT FRAME	1.001.00155
5	3	SCREW 2.9 X 4.5 TC	8.100.00013
6	1	ADHESIVE FOR ACCESSORY BASE EMBEDDED	2.050.00005
7	1	ACCESSORY FOR BASE EMBEDDED EMB1	2.050.00001

General Tolerance UNI EN 22768/1 Media (m)				
from 0.5 to 3	from 3 to 6	from 6 to 30	from 30 to 120	from 120 to 400
± 0.1	± 0.1	± 0.2	± 0.3	± 0.5

Scale: 1:1	Sheet nr.: 1/1	Drawn: N.R.	Checked: F.F.	Date: 21/05/2018
------------	----------------	-------------	---------------	------------------

Material:	Weight:	Volume:
-----------	---------	---------

Description:	Rev.
KIT 6M XTS RASPBERRY B+ CON ACCESSORIO BASE EMBEDDED	01
KIT 6M XTS RASPBERRY B+ WITH ACCESSORY BASE EMBEDDED	

Drawing nr.	3.050.00017
-------------	-------------

21/05/2018 N.R. Updated cartouche with new code (code passed M-07809-00). Added views.



RESERVED PROPERTY: The present drawing cannot be reproduced or communicated to 3rd parties, even partially, without the authorization of ITALTRONIC Srl. Italtronic reserves to protect its own rights according to the law.