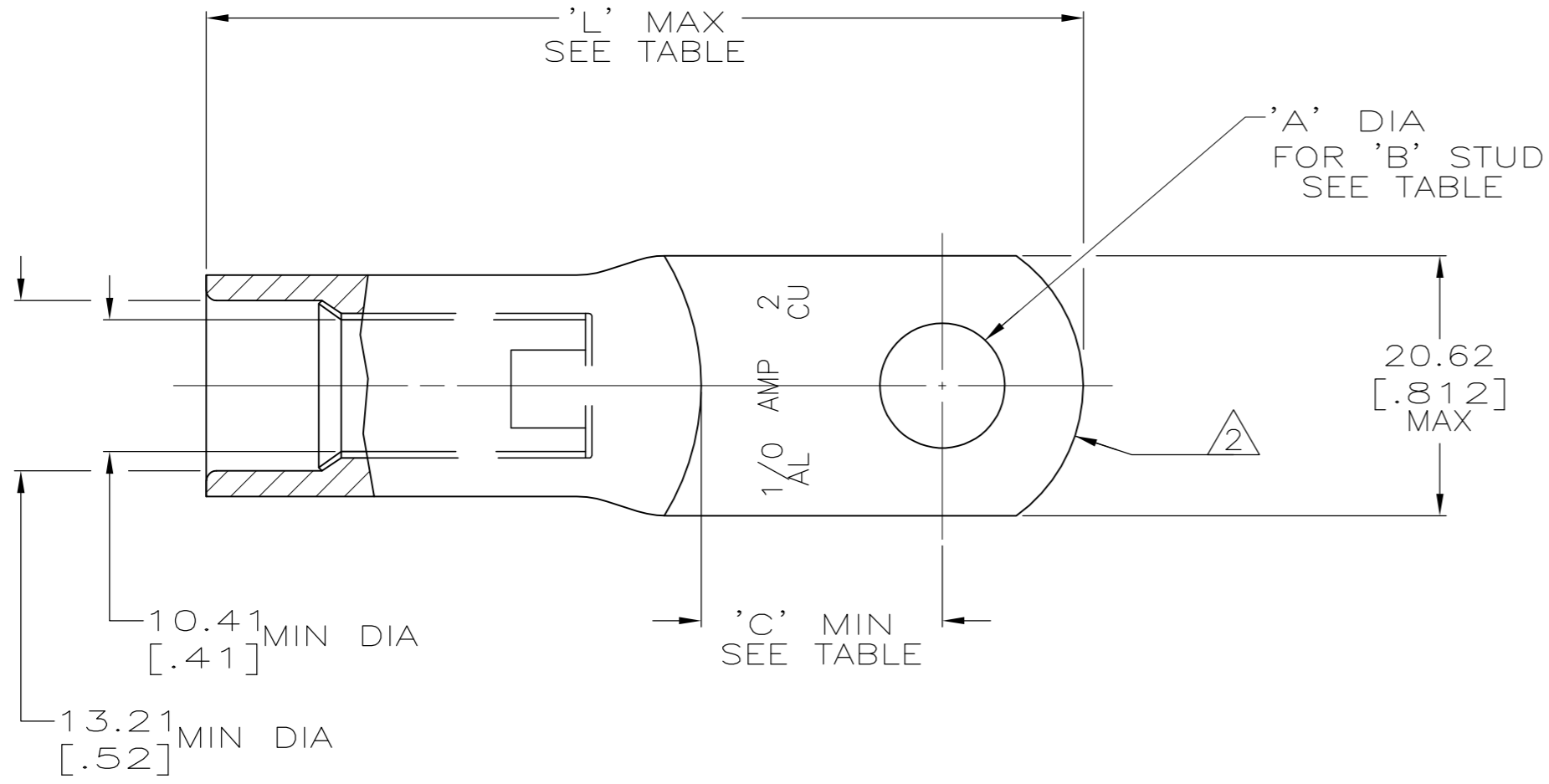
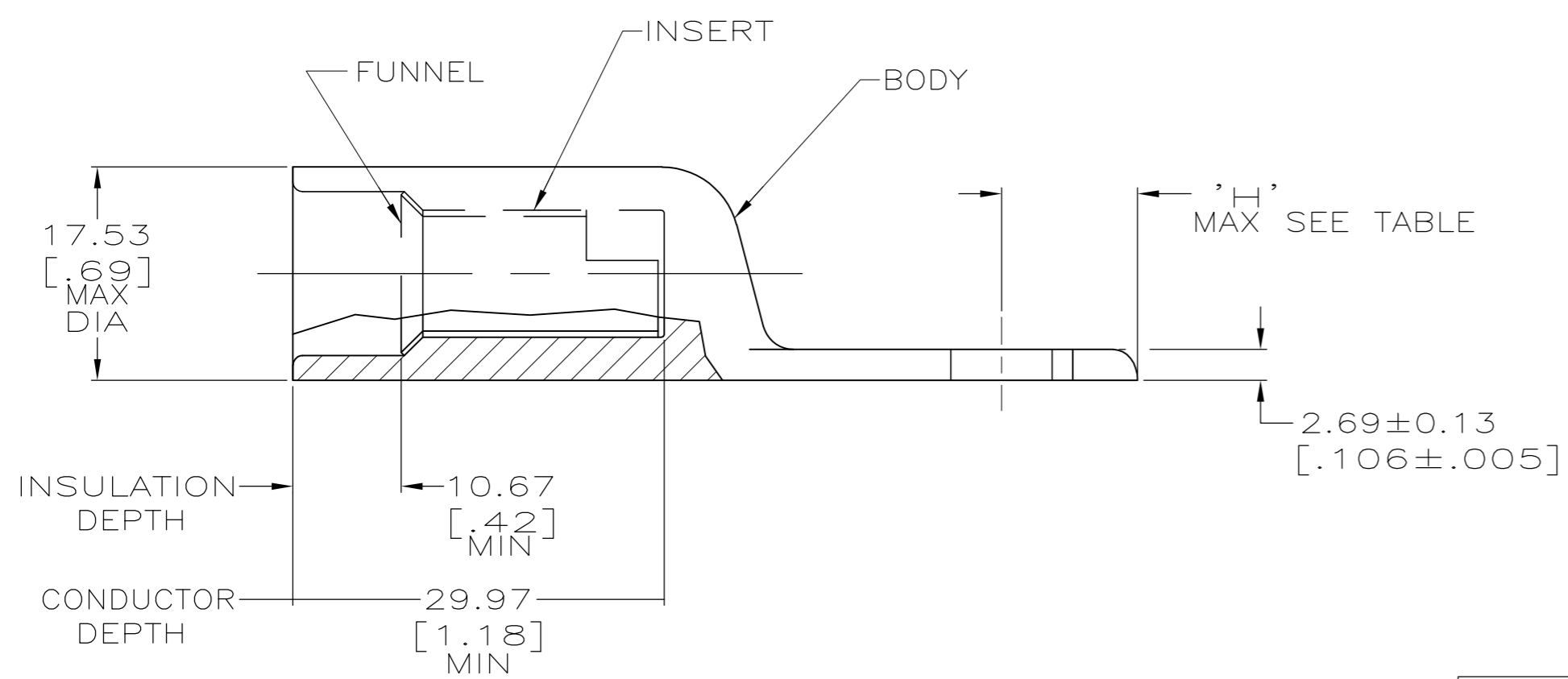


THIS DRAWING IS UNPUBLISHED. RELEASED FOR PUBLICATION  
 © COPYRIGHT - By - ALL RIGHTS RESERVED.

LOC		DIST		REVISIONS			
P	LTR	DESCRIPTION		DATE	DWN	APVD	
	R	REV PER ECO-15-002995		11MAR15	KG	PD	



- 1 WIRE INSULATION: 10.79[.425] - 11.94[.470] DIA
- 2 THE TONGUE RADIUS FEATURE IS NOT A TOOLING CONTROLLED DIMENSION AND MAY NOT BE A TRUE RADIUS.



	WEIGHT	'A'	'B'	'L'	'C'	'H'	MATERIAL & FINISH	PART NO.
	-	8.33[.328]	5/16	63.75[2.51]	12.45[.49]	10.18[.401]	BODY: COPPER ASTM-B187 ANNEALED TIN PL PER MIL-T-10727 0.00381[.000150] MIN THK	277151-7
OBSOLETE	-	<del>13.08[.515]</del>	<del>1/2</del>	69.34[2.73]	16.76[.66]	11.38[.448]		277151-6
	57.0±5 GRAMS	6.73[.265]	1/4	69.34[2.73]	16.76[.66]	11.38[.448]		277151-5
OBSOLETE	-	<del>13.08[.515]</del>	<del>1/2</del>	63.75[2.51]	12.45[.49]	10.18[.401]	INSERT & FUNNEL: BRASS ASTM B36 NICKEL PL SAE AMS QQ-N-290A, DATED JULY 2000, 0.00254 [.000100] MIN THK	277151-4
	54.0±5 GRAMS	6.73[.265]	1/4	63.75[2.51]	12.45[.49]	10.18[.401]		277151-3
	56.0±5 GRAMS	9.91[.390]	3/8	69.34[2.73]	16.76[.66]	11.38[.448]		277151-2
	53.0±5 GRAMS			63.75[2.51]	12.45[.49]	10.18[.401]		277151-1

THIS DRAWING IS A CONTROLLED DOCUMENT.

DWN	DK SCHRUM	6/23/89
CHK	MS FEHER	10/16/90
APVD	AJ KAUFMAN	10/23/90

TE Connectivity

WIRE TERMINAL, RING TONGUE, SEALED COPALUM  
55.5mm2 [1/0] ALUMINUM  
34.3mm2 [2] COPPER

SIZE	A2	CAGE CODE	00779	DRAWING NO	C-277151	RESTRICTED TO	-
SCALE	2:1	SHEET	1 of 1	REV	R		