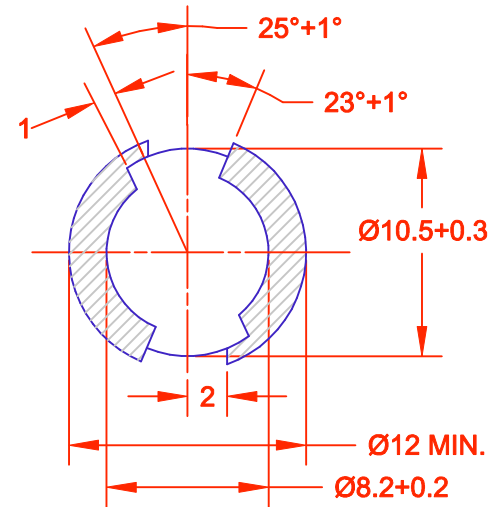
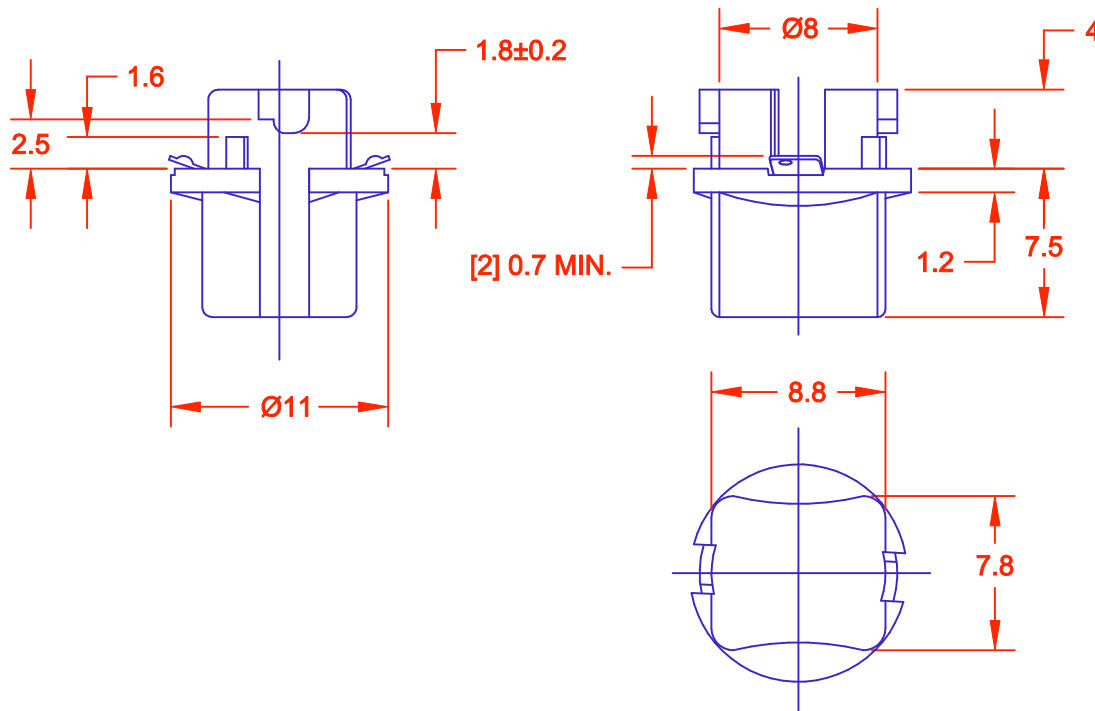
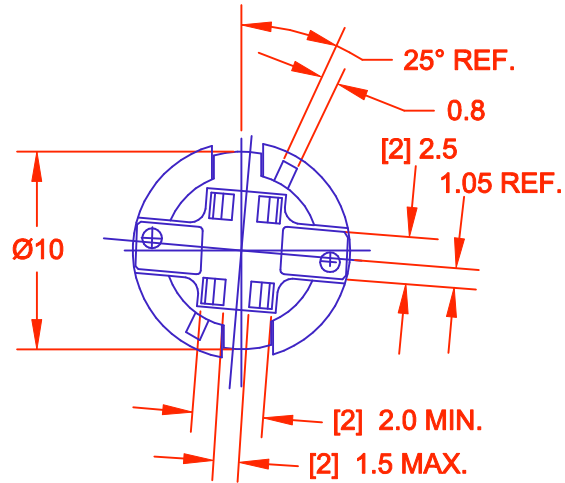
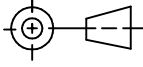


REV.	DESCRIPTION/ECO NO.	DATE
	RELEASED AS CAD DRAW. AND NEW PART-CANCEL 2929 REV. 1	12/8/00



BASE COLOR: BLACK

METRIC  THIRD ANGLE PROJECTION	DIMENSIONS ARE IN MILLIMETERS		JKL COMPONENTS CORPORATION TITLE T-1 3/4 WEDGE BASE SOCKET				
	TOLERANCE UNLESS OTHERWISE SPECIFIED 1 PL +/- 0.2 2 PL +/- 0.20 ANGLE +/- 0						
DRAWN BY L. WENGSTROM	APPVD BY JK	DATE 12/9/00	SIZE A	FSCM NO. 55335	DRAWING NO. SOCKET 2929		
- CAD DRAWING - MANUAL REVISIONS NOT PERMITTED			SCALE NONE	RELEASED DATE 12/9/00	REVISION DATE	REV. NO.	SHEET 1 OF 1