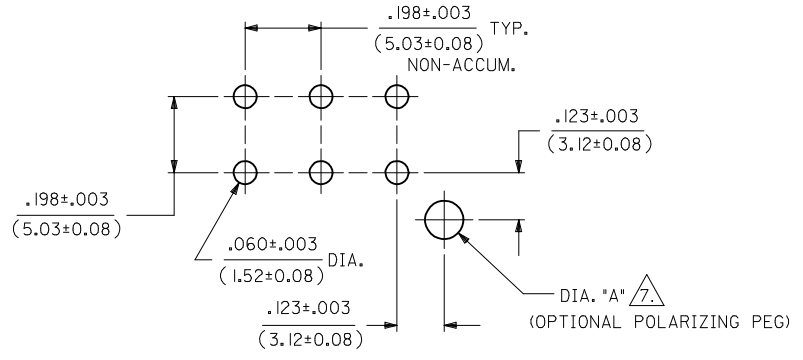
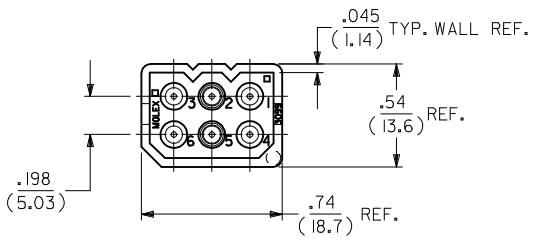
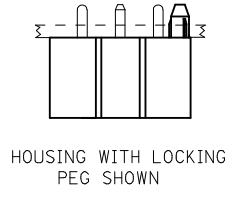
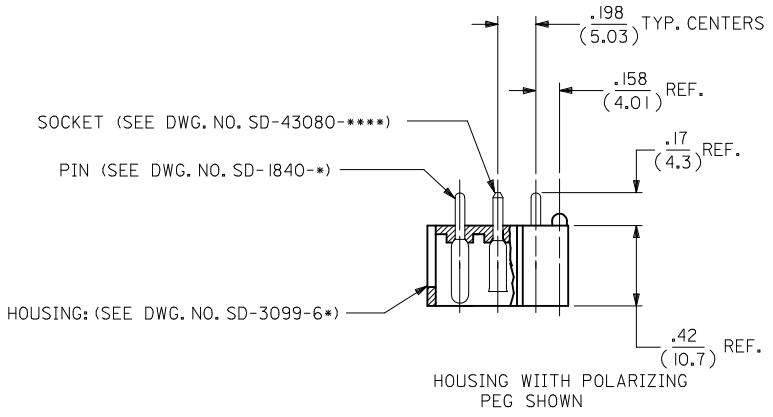


ORDER NO.	ENG. NUMBER	TERMINAL LOCATION (SEE CHART)	MAT'L	PEG TYPE	PLATING (SEE CHART)	DIA "A"
10-18-1061	A-3099-P6A	A	V-0	POLARIZING	B	.100±.005 (2.54±0.13)
10-18-1063	A-3099-P6B	B	V-0	POLARIZING	B	
38-00-0589	A-3099-P6C	C	V-0	POLARIZING	B	
38-00-0590	A-3099-P6D	D	V-0	POLARIZING	B	
10-18-1064	A-3099-0605	E	V-0	POLARIZING	B	
10-18-1065	A-3099-0607	F	V-0	POLARIZING	B	
				LOCKING	B	.103 +.003/-.002 (2.62 + 0.08/-0.05)

TERMINAL LOCATION CODE	CIRCUIT LOCATION					
	1	2	3	4	5	6
A	M	M	M	M	M	M
B	M	F	M	M	F	M
C	F	M	M	M	F	M
D	M	M	M	F	M	M
E	M	M	M	M	M	F
F	F	M	M	M	M	M

PLATING CODE	PLATING
A	UNPLATED
B	PINS ONLY: OVERALL TIN: .000200/(0.00508) MIN. OVER COPPER: .000100/(0.00254) MIN.
	SOCKETS ONLY: OVERALL TIN: .000050/(0.00127) MIN. OVER NICKEL: .000050/(0.00127) MIN.



- MATERIAL:
HOUSING: UNFILLED POLYESTER, 94V-0, COLOR-BLACK
PIN TERMINAL: CARTRIDGE BRASS
SOCKET TERMINAL: PHOSPHOR BRONZE
- FINISH: SEE TABLE
- PRODUCT SPECIFICATION: N/A
- PACKAGING SPECIFICATION: PK-3099-002
- MATES WITH MOLEX 1490 RECEPTACLES AND .093/(2.36) SERIES TERMINALS
- ASSEMBLIES TO BE MOUNTED ON SUPPORTED EDGE OF P.C. BOARD
- ONLY REQUIRED WHEN USING PARTS WITH OPTIONAL POLARIZING OR LOCKING PEGS

RECOMMENDED PC BOARD HOLE LAYOUT
(SCALE 4:1)

ADD PKG SPECS EC NO: UCP2013-4695 DRW:NAELHAG 2013/04/30 CHKD: APPR:FSMITH 2013/05/13 REV: M2	QUALITY SYMBOLS	GENERAL TOLERANCES (UNLESS SPECIFIED) 4 PLACES ± --- ± --- 3 PLACES ± --- ± .010 2 PLACES ± 0.25 ± .014 1 PLACE ± 0.36 ± --- ANGULAR ± 1/2°	DIMENSION STYLE	SCALE	DESIGN UNITS	THIRD ANGLE PROJECTION	
			IN/MM	2:1	INCH		
				DRAWN BY	DATE	CONNECTOR ASSEMBLY ENCLOSED WAFER 6 CIRCUIT	
				KBW	1989/05/25		
			CHECKED BY	DATE	MOLEX INCORPORATED		
			RW	1989/05/25			
			APPROVED BY	DATE	SDA-3099-*6**		
			RAS	1989/05/25			
			MATERIAL NO.	DOCUMENT NO.	SHEET NO. 1 OF 1		
			SEE CHART	SDA-3099-*6**			
			DRAFT WHERE APPLICABLE MUST REMAIN WITHIN DIMENSIONS				
			THIS DRAWING CONTAINS INFORMATION THAT IS PROPRIETARY TO MOLEX INCORPORATED AND SHOULD NOT BE USED WITHOUT WRITTEN PERMISSION				