

CONNECTOR SPECIFICATION:

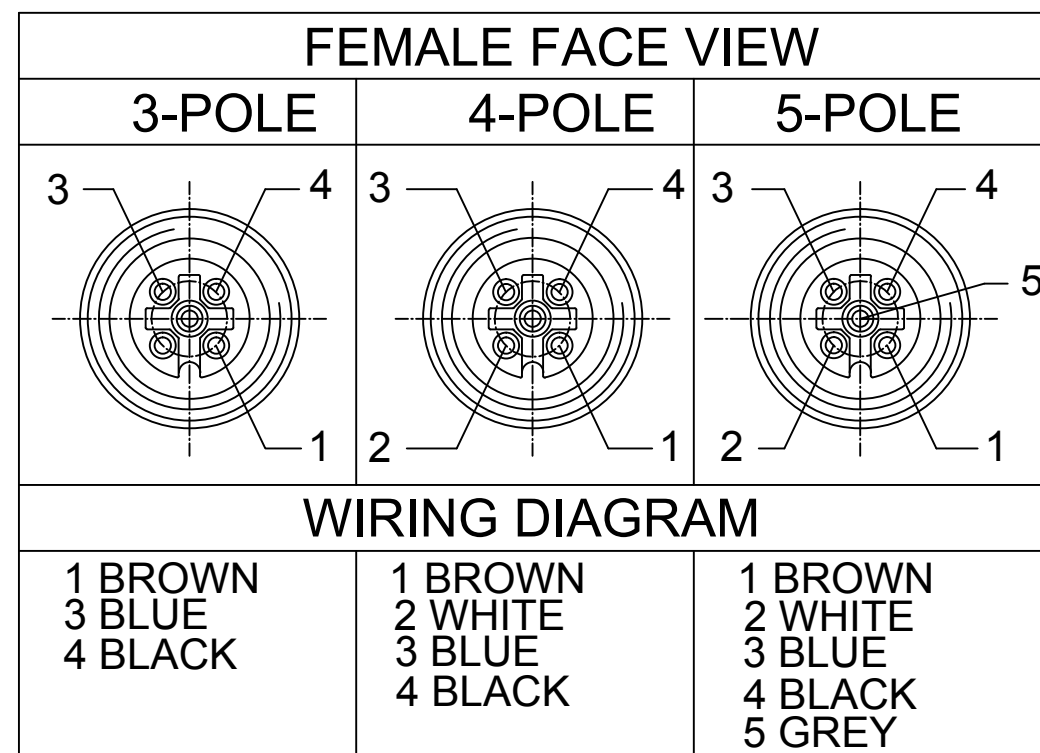
VOLTAGE RATING	250 VAC/VDC
AMPERAGE RATING	max. 4 AMPS
PROTECTION	IP67
OPERATING TEMPERATURE	-20°C TO 105°C
UL CERTIFICATIONS	UL RECOGNIZED, FILE NO. E152210
CSA CERTIFICATIONS	CSA CERTIFIED, FILE NO. LR6837

COMPONENT	MATERIAL	FINISH
INSERT	PUR	BLACK
CONTACT SOCKET	COPPER ALLOY	GOLD OVER NICKEL
O-RING	VITON	RED
COUPLING NUT	BRASS	NICKEL PLATED
OVERMOLD	TPE	YELLOW
CABLE- 22 AWG, (COPPER STRANDING) 3/4/5 CONDUCT. 300V	INSUL: PVC JACKET: TPE	YELLOW
LABEL	MYLAR	BLACK/YELLOW

803000K05M010
 No Pole
 3-5 Pole

cable type
 22 AWG
 PVC YELLOW

cable length
 010----1 Meter
 100----10 Meters



MATERIAL NUMBER	ENGINEERING NUMBER	FINISHED LENGTH
1200652217	803000K05M010	1M +55.6 -0 [3.8' +2.2" -0]
1200651108	803000K05M020	2M +88.9 -0 [6.6' +3.5" -0]
1200651120	804000K05M010	1M +55.6 -0 [3.8' +2.2" -0]
1200651126	804000K05M100	10M +317.5 -0 [32.8' +12.5" -0]
1200651127	804000K05M200	20M +622.3 -0 [65.6' +24.5" -0]

UPDATED FOR NEW PART # EC NO: IPG2014-1065 DRWN: GGUSTAFS CHKD: BARDEN APPR: BWOODMAN 2010/01/25	12/5/13 DESCRIPTION REV	QUALITY SYMBOLS ▽ = 0 ▽ = 0	GENERAL TOLERANCES (UNLESS SPECIFIED) <table border="1"> <tr> <td></td> <td>mm</td> <td>INCH</td> </tr> <tr> <td>4 PLACES</td> <td>±---</td> <td>±---</td> </tr> <tr> <td>3 PLACES</td> <td>±---</td> <td>±.005</td> </tr> <tr> <td>2 PLACES</td> <td>±.13</td> <td>±.010</td> </tr> <tr> <td>1 PLACE</td> <td>±.25</td> <td>±.020</td> </tr> <tr> <td colspan="3">ANGULAR ± --- °</td> </tr> </table>		mm	INCH	4 PLACES	±---	±---	3 PLACES	±---	±.005	2 PLACES	±.13	±.010	1 PLACE	±.25	±.020	ANGULAR ± --- °			DIMENSION STYLE IN/MM DRAWN BY: _____ DATE: _____ CHECKED BY: _____ DATE: _____ RE: 2010/01/21 APPROVED BY: _____ DATE: _____ NSTAUDIG 2010/01/25	SCALE: NTS DESIGN UNITS: INCH THIRD ANGLE PROJECTION
			mm	INCH																			
		4 PLACES	±---	±---																			
		3 PLACES	±---	±.005																			
2 PLACES	±.13	±.010																					
1 PLACE	±.25	±.020																					
ANGULAR ± --- °																							
DRAFT WHERE APPLICABLE MUST REMAIN WITHIN DIMENSIONS			SEE CHART	MATERIAL NO. _____ DOCUMENT NO. _____																			
SIZE A3			THIS DRAWING CONTAINS INFORMATION THAT IS PROPRIETARY TO MOLEX INCORPORATED AND SHOULD NOT BE USED WITHOUT WRITTEN PERMISSION																				
			MICRO-CHANGE CORDSET 3/4/5-POL FEMALE STR SE 22/3-5 TPE YELLOW CABLE		SHEET NO. 1 OF 1																		

MOLEX INCORPORATED

SD-120065-034