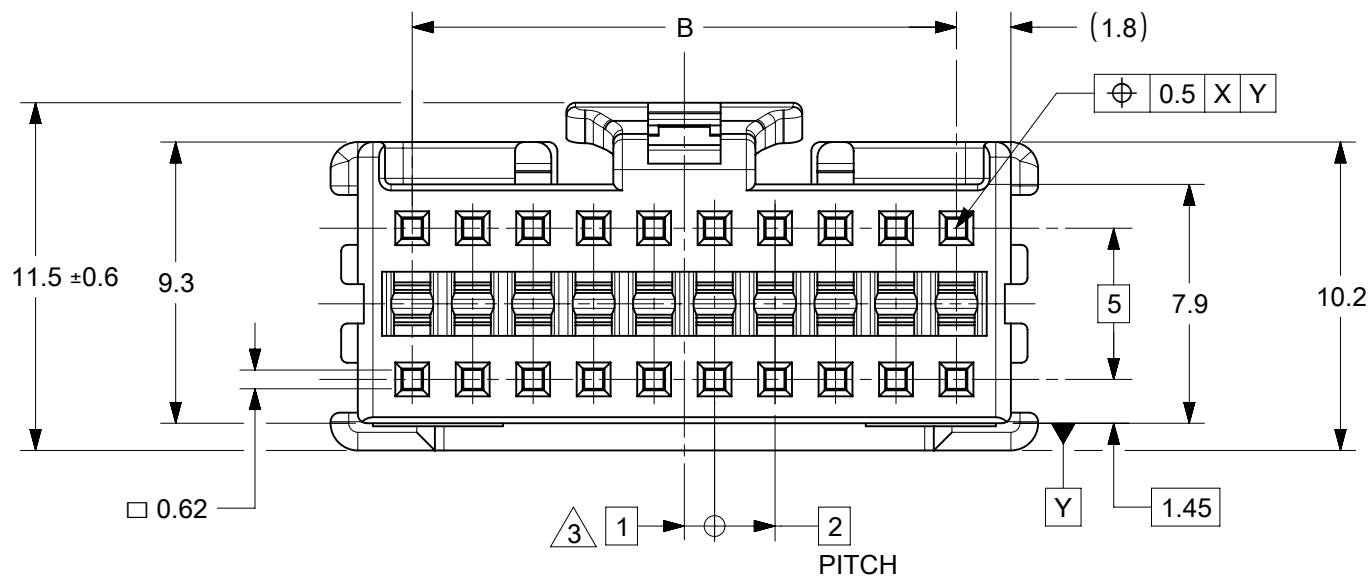
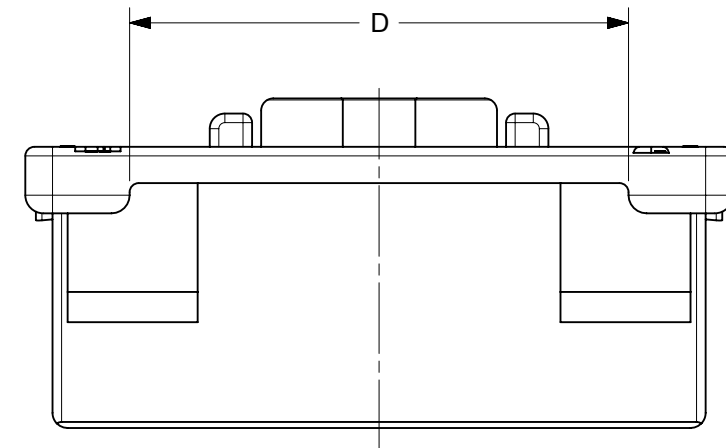
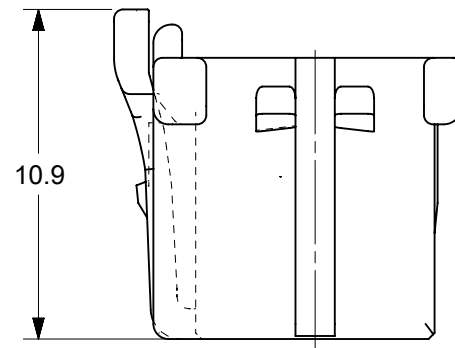
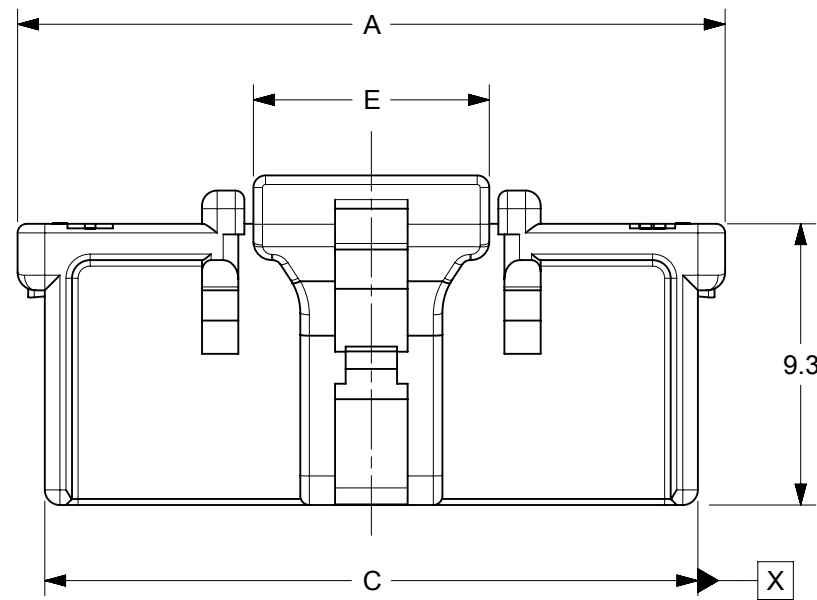


- NOTES :
- ① APPLICABLE TERMINAL : SERIES 56134, 59370
 - ② MATE WITH : SERIES 55917, 55959
 - ③ APPLY FOR (CIRCUIT/2)=EVEN
 - ④ MATERIAL NO. **51353-**0***

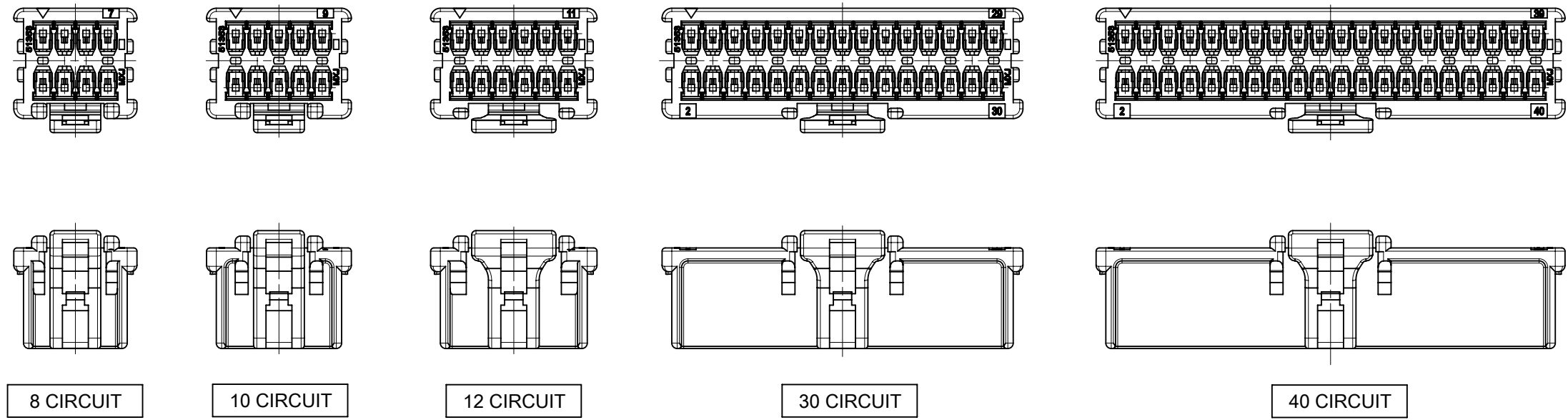
CIRCUIT SIZE COLOR

NATURAL(WHITE)	0
BLACK	1
RED	2
YELLOW	3
BLUE	4
GREEN	6
BROWN	7
ORANGE	8

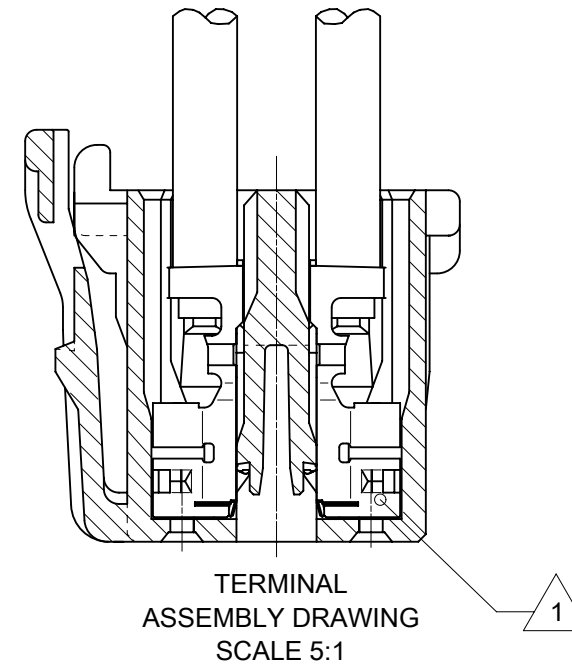
- ⑤ LOCK SIDE CKT.NO. DIDN'T INDICATED 8~14CKT, INDICATE 16~40CKT.
- ⑥ MATERIAL : 66 NYLON, UL94V-0



THIS DRAWING CONTAINS INFORMATION THAT IS PROPRIETARY TO MOLEX ELECTRONIC TECHNOLOGIES, LLC AND SHOULD NOT BE USED WITHOUT WRITTEN PERMISSION									
DIMENSION UNITS		SCALE		CURRENT REV DESC: OBSOLETE PART NUMBERS AS PER PCN#512131 AND REPLACED 513530800 001 PDM WITH 513530800 002 PDM.					
mm		NTS		molex MICROCLASP 2.0 W-B CONN. DUAL ROW RCPT HSG PRODUCT CUSTOMER DRAWING DOCUMENT NUMBER: SD-51353-002 DOC TYPE: PSD DOC PART: 001 REVISION: D1 MATERIAL NUMBER: SEE TABLE CUSTOMER: GENERAL MARKET SHEET NUMBER: 1 OF 2					
GENERAL TOLERANCES (UNLESS SPECIFIED)									
ANGULAR TOL ± 3.0°									
4 PLACES ±									
3 PLACES ±									
2 PLACES ± 0.2									
1 PLACE ± 0.2									
0 PLACES ± 0.2									
DRAFT WHERE APPLICABLE MUST REMAIN WITHIN DIMENSIONS		THIRD ANGLE PROJECTION		DRAWING		SERIES		MATERIAL NUMBER	
				B-SIZE		51353		SEE TABLE	



VIEW OF 8,10,12,30,40 CIRCUIT
(2:1)



TERMINAL
ASSEMBLY DRAWING
SCALE 5:1

40	51353-400*	43.4	38	41.6	36.5	7.8
38	51353-380*	41.4	36	39.6	34.5	7.8
36	51353-360*	39.4	34	37.6	32.5	7.8
34	51353-340*	37.4	32	35.6	30.5	7.8
32	51353-320*	35.4	30	33.6	28.5	7.8
30	51353-300*	33.4	28	31.6	26.5	7.8
28	51353-280*	31.4	26	29.6	24.5	7.8
26	51353-260*	29.4	24	27.6	22.5	7.8
24	51353-240*	27.4	22	25.6	20.5	7.8
22	51353-220*	25.4	20	23.6	18.5	7.8
20	51353-200*	23.4	18	21.6	16.5	7.8
18	51353-180*	21.4	16	19.6	14.5	7.8
16	51353-160*	19.4	14	17.6	12.5	7.8
14	51353-140*	17.4	12	15.6	10.5	7.8
12	51353-120*	15.4	10	13.6	8.5	7.8
10	51353-100*	13.4	8	11.6	6.5	4.7
8	51353-080*	11.4	6	9.6	4.5	4.7
CKT.	△ MATERIAL NO.	A	B	C	D	E

THIS DRAWING CONTAINS INFORMATION THAT IS PROPRIETARY TO MOLEX ELECTRONIC TECHNOLOGIES, LLC AND SHOULD NOT BE USED WITHOUT WRITTEN PERMISSION									
DIMENSION UNITS	SCALE	CURRENT REV DESC: OBSOLETE PART NUMBERS AS PER PCN#512131 AND REPLACED 513530800 001 PDM WITH 513530800 002 PDM.							
mm	NTS	<p>molex</p> <p>MICROCLASP 2.0 W-B CONN. DUAL ROW RCPT HSG</p> <p>PRODUCT CUSTOMER DRAWING</p>							
GENERAL TOLERANCES (UNLESS SPECIFIED)									
ANGULAR TOL	± 3.0°	EC NO: 727779	2022/11/07	DOCUMENT NUMBER					
4 PLACES	±	DRWN: ANIKES1	2022/11/29	SD-51353-002					
3 PLACES	±	CHKD: GGA	2022/11/29	DOC TYPE	DOC PART	REVISION			
2 PLACES	± 0.2	APPR: GGA	2022/11/29	PSD	001	D1			
1 PLACE	± 0.2	INITIAL REVISION:		MATERIAL NUMBER					
0 PLACES	± 0.2	DRWN: N.ITO	2001/12/17	CUSTOMER					
DRAFT WHERE APPLICABLE MUST REMAIN WITHIN DIMENSIONS		APPR: T.YAMAGUCHI	2002/10/22	SEE TABLE		GENERAL MARKET		SHEET NUMBER	
THIRD ANGLE PROJECTION		DRAWING	SERIES	B-SIZE		51353		2 OF 2	