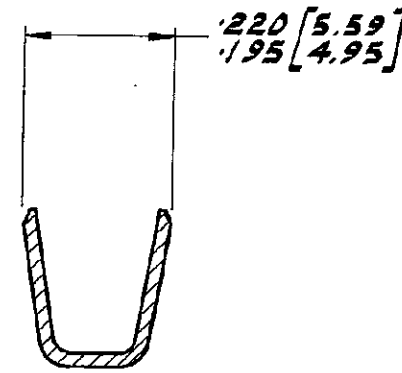
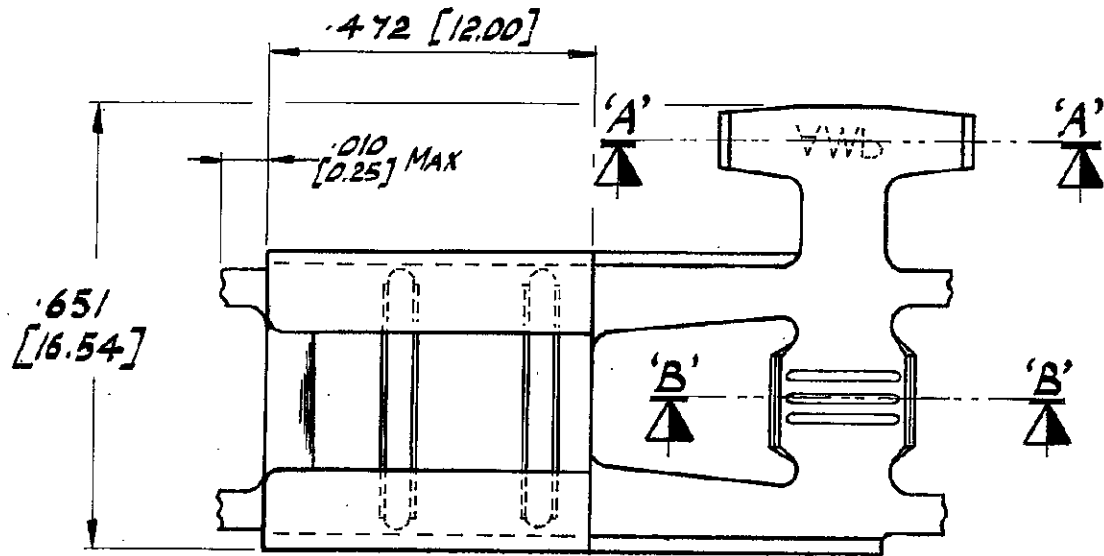


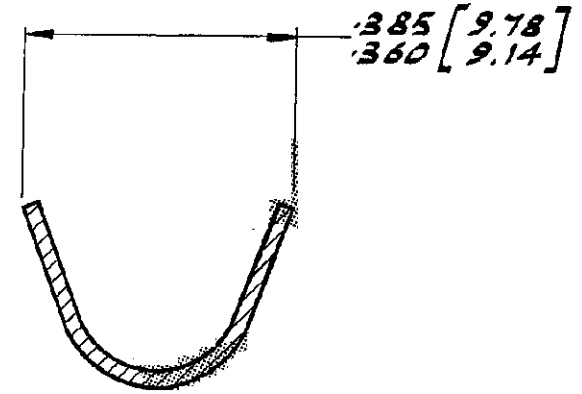
NUMBER C 342308

3rd ANGLE (AMERICAN) PROJECTION

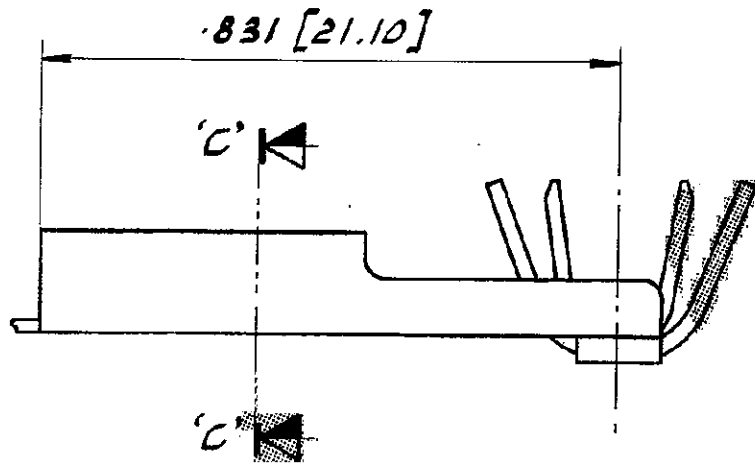
DIMENSIONS IN INCHES. DO NOT SCALE PRINT
DIMENSIONS THUS [] IN MM.



SECTION 'B'-'B'



SECTION 'A'-'A'



SECTION 'C'-'C'

NOTE

INSULATION RANGE
135 - 192 [3.42 - 4.88] 'F' CRIMP
192 - 234 [4.81 - 5.94] 'D' CRIMP

INSERTION & WITHDRAWAL FORCE
25 - 50 NEWTONS.

REVERSE REELED	342308-3	BRASS	NONE
OBSOLETE	342308-2	BRASS	ELECTRO-TIN
OBSOLETE	342308-1	BRASS	NONE

C2	ECR-19-017980	SS	EW	22DEC21	PART NO	MATERIAL	FINISH
C1	ECR-10-022530	KK	HMR	07FEB11	© TE of GREAT BRITAIN LTD 1981		CUSTOMER COPY REFERENCE ONLY
C	-3 ADDED DRT 5/5/88				MATERIAL AND FINISH		
B	SCROLL CAP MODIFIED CLIP CAP TOL. COE DET DELETED INSERTION WITHDRAWAL FORCE MOD				.020 [0.51] STOCK BRASS		
A	.040 ± .002 WIRE 0391104 DM PK R 1848				SEE TABLE CLASS		
0	RELEASE FOR PRODUCTION	A.H.		25-1-83	WIRE - RANGE - INSULATION 3-6 m.m. ² SEE NOTE TYPE		
ISS	REVISION RECORD	DR	CHK	DATE	TOLERANCE EXCEPT AS NOTED	SCALE	LOC NO
DR	A. HOWARD 30-6-81	DE			± .015 [0.38] ± 1° 0'	4:1	E B NO
CHK	G.C. HUGHES 30-6-81	APP		1-7-81	NAME		
					-375 SERIES FLAG FASTON RECEPTACLE		

PRINT DIST.