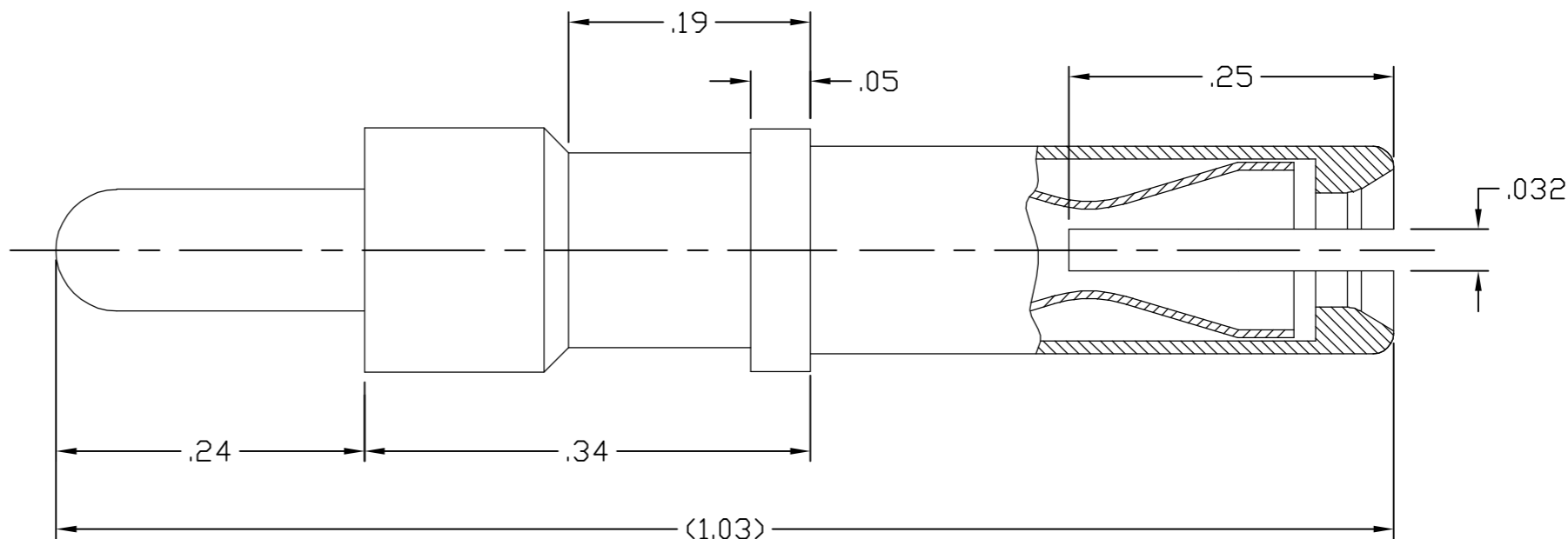
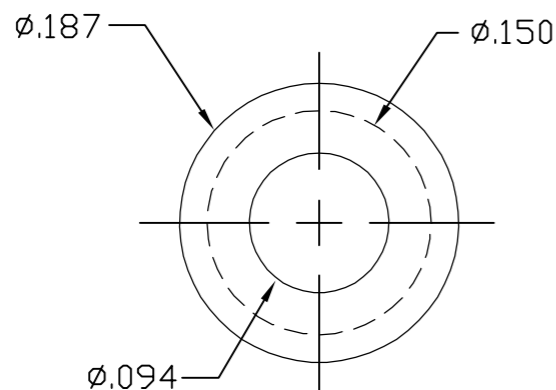


This drawing involves proprietary design rights of Tyco Electronics Corporation, and all design, manufacture, reproduction, use and sale rights regarding the same are expressly reserved. It is submitted for a specific purpose and the recipient by accepting this drawing, assumes custody and control and agrees to take reasonable precautions; (a) that this drawing will not be copied and reproduced, in whole or in part, or its contents revealed in any manner, or to any person except to meet the purpose for which it was delivered and (b) that any special features peculiar to this design will not be incorporated in other projects without the expressed written permission of Tyco Electronics Corporation.

REVISIONS			
EC	REV	DESCRIPTION	DATE
CPR	B	NEW RELEASE	3/27/07



4. ELCON EQUIVALENT SERIES 708-77-01109.

3. FINISHES:

SOCKET CONTACT: GOLD PLATE, .000010 MIN THICK
OVER NICKEL, .000040 MIN THICK

CROWN BAND: GOLD PLATE, .000030 MIN THICK
OVER NICKEL, .000040 MIN THICK

HOOD: GOLD PLATE, .000010 MIN THICK OVER
NICKEL, .000075 MIN THICK

2. MATERIAL:

SOCKET CONTACT: COPPER ALLOY.

CROWN BAND: COPPER ALLOY.

HOOD: COPPER ALLOY.

1. PART NUMBER CHANGES AND OR DESIGN CHANGES AFFECTING ITEM INTERCHANGEABILITY REQUIRE PRIOR TYCO APPROVAL AND AUTHORIZATION BY REVISION TO THIS DRAWING.

NOTES: UNLESS OTHERWISE SPECIFIED

TYCO PART NUMBER

1648387-1

INCH MM OR INCH (MM) THIRD ANGLE PROJECTION UNLESS OTHERWISE SPECIFIED DIMENSIONS ARE IN INCHES (METRIC) TOLERANCES ANGLES ± .5° DECIMALS .XXX ± .010 (.25) .XX ± .02 (.5)	DRAWN R. F. A.	DATE 3/17/06	Tyco Electronics Corporation Menlo Park, Ca 94025 	
	CHECKED			TITLE CONTACT, SOCKET, SIZE #12 PCB TAIL, HOT PLUG
	APPROVED S. FLICKINGER			SIZE B
	DCA APPROVED			DWG NUMBER C-1648387
ACAD FILE NUMBER C1648387A.DWG		DWG SCALE 8=1	REV. B	

SH 1 OF 1