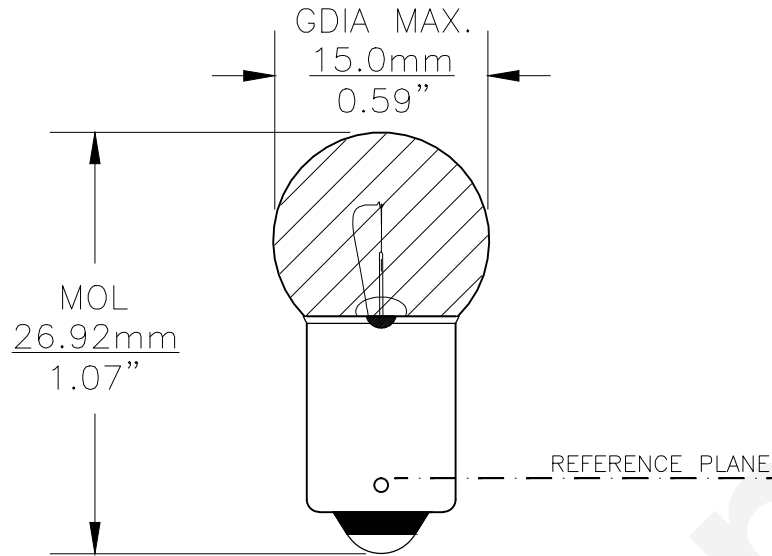
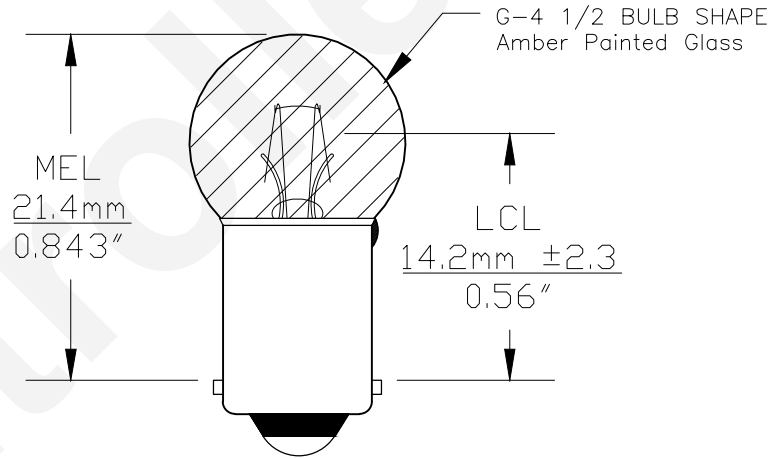




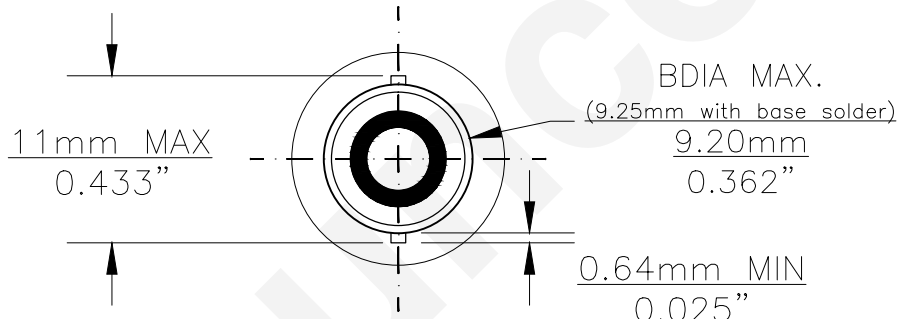
PART NO.	BASE TYPE	DESIGN VOLTS	DESIGN AMPS	MSCD	FILAMENT TYPE	AVERAGE LIFE HOURS	REVISIONS			
							REV #	DESCRIPTION	DATE	APPROVED
1895A	MINIATURE BAYONET (BA9s)	14.0V	0.27±20%	2.0±20%	C-2F	2000	1	ISSUED	05/29/2014	R.M.



0° VIEW



90° VIEW



BASE BOTTOM VIEW



Note: Made according to SAE specifications

UNLESS OTHERWISE SPECIFIED: DIMENSIONS ARE IN INCHES TOLERANCES		CEC INDUSTRIES LTD			
DECIMALS	ANGULAR	599 BOND STREET		LINCOLNSHIRE, IL 60069	
.XX ± .05	± 0.5°	TITLE LIGHT BULB NO. 1895A			
.XXX ± .010	± 1/64	DATE	05/29/2014	SIZE	A
FRACTIONAL	± 1/64	CHECKED	ROSE MEDINA	FSCM NO.	1895A
DRAWN		DATE	05/29/2014	DWG NO.	1895A
CHECKED		SCALE	PLOT SCALE	SHEET	1 OF 1
DESIGN		FILE		DRAWING NOT TO SCALE	
MATERIAL		1895A.pdf			