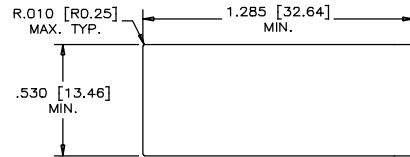
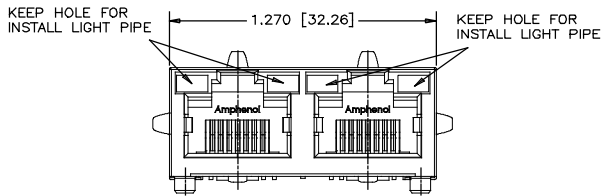


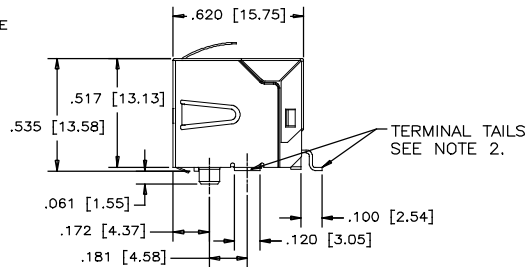
TOP VIEW



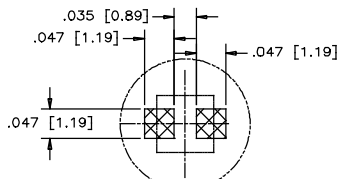
RECOMMENDED PANEL CUTOUT



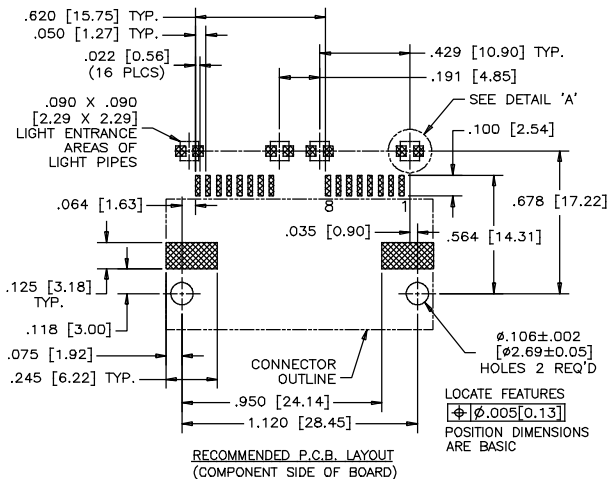
FRONT VIEW



SIDE VIEW



DETAIL 'A' (ENLARGED)
SMT LED SOLDER PAD (SMT LED TO BE PROVIDED BY THE CUSTOMER)

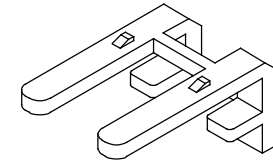


RECOMMENDED P.C.B. LAYOUT (COMPONENT SIDE OF BOARD)



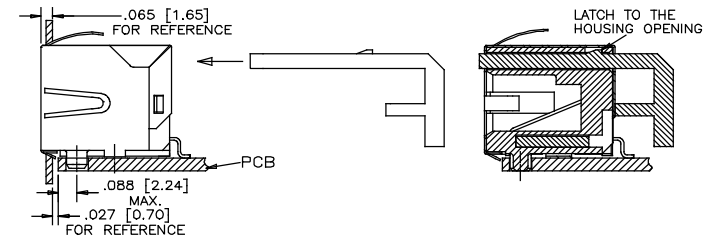
THIS DOCUMENT CONTAINS PROPRIETARY INFORMATION AND SUCH INFORMATION MAY NOT BE DISCLOSED TO OTHERS FOR ANY PURPOSE OR USED FOR MANUFACTURING PURPOSES WITHOUT WRITTEN PERMISSION FROM AMPHENOL CANADA CORP.

REVISIONS				
SYM	ZONE	ECN, ERN NO.	DATE	APPRD.
A		PROPOSAL	DEC 15, 2010	L.C.
B		CORRECT DIMENSION	JAN 20, 2016	L.CHAN



LIGHT PIPE: RJSSE-2485-01

RJSSE-2485-01 MUST BE ORDERED SEPARATELY
RJSSE-2485-01 MUST BE PACKED SEPARATELY



AFTER SOLDER REFLOW, LOAD LIGHT PIPE THROUGH THE CONNECTOR REAR ACCESS IN THE DIRECTION AS SHOWN

1. MATERIALS:

HOUSING: HIGH-TEMP THERMOPLASTIC
FLAMMABILITY RATING UL 94V-0
COLOR: BLACK

CONTACTS: PHOSPHOR BRONZE
PLATING: 20 μ" [0.508 MICRONS] MIN. GOLD ON MATING SURFACES.
50 μ" [1.27 MICRONS] MIN. NICKEL UNDERPLATE.
100 μ" [2.54 MICRONS] MIN. MATTE-TIN OR GOLD FLASH ON CONTACT TAILS.

SHIELD: COPPER ALLOY PLATED PURE-TIN ALLOY

LIGHT PIPE: CLEAR POLYCARBONATE RATED UL 94V-0.

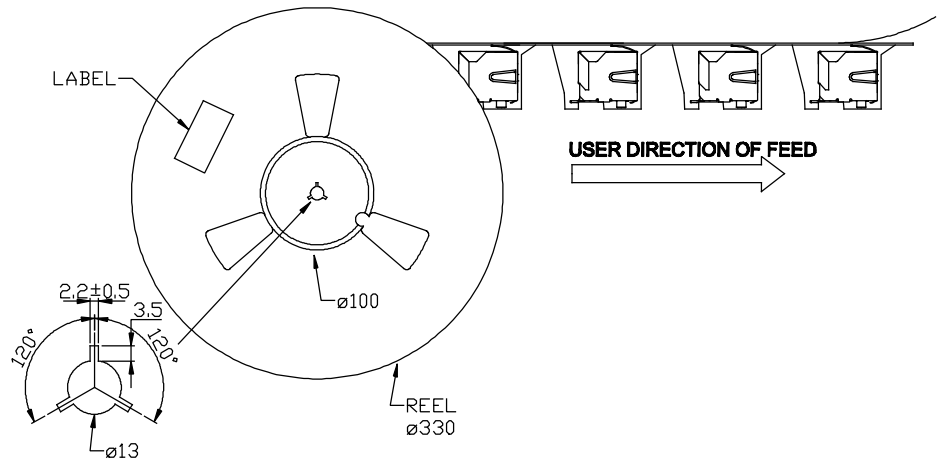
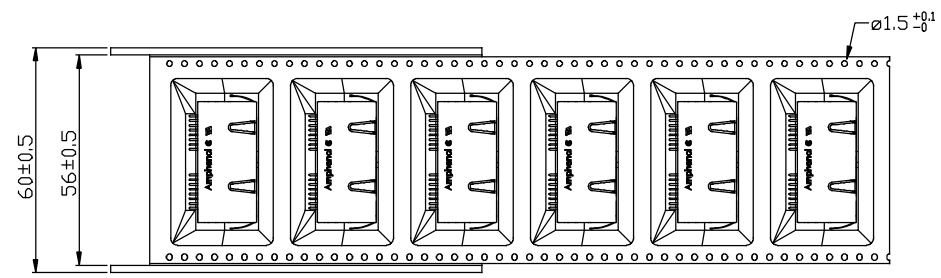
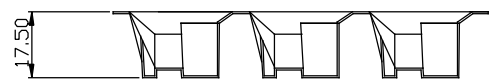
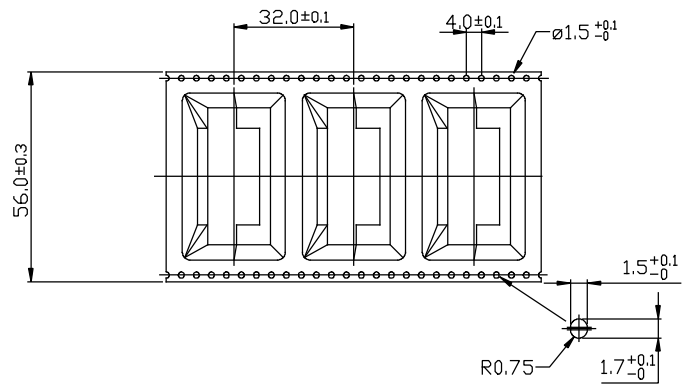
2. COPLANARITY SPECIFICATION:

WITH THE MODULAR JACK SITTING ON A LEVEL SURFACE, THE MAXIMUM GAP BETWEEN THE LEVEL SURFACE OF SHIELD TAB AND ALL TERMINAL TAILS IS .004 [0.10].

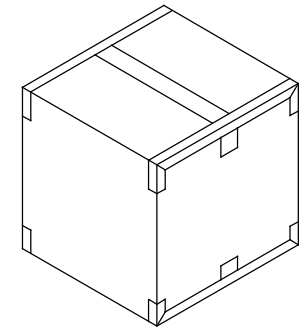
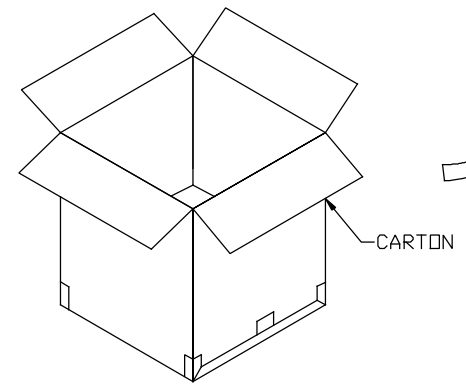
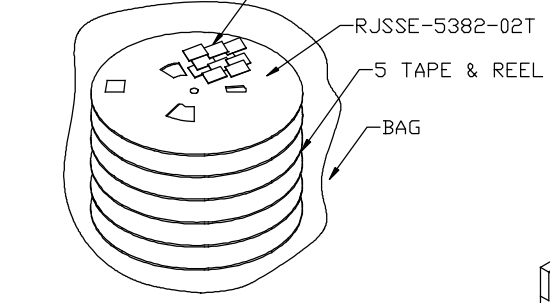
PART NUMBER: RJSSE-5382-02T

MATERIAL -----	DRAWN	MT	DATE	Amphenol Canada Corp.		
	DESIGNED	MT	DEC 15, 2010			
	CHECKED	L.C.	DEC 15, 2010			
	I. E. APPRD.	Oyang	DEC 15, 2010			
	Q. A. APPRD.					
FINISH -----	DWG. APPRD.			TITLE 2 PORTS, SURFACE MOUNT, RJ45 MODULAR JACK, 8 POSITION, 8 CONTACTS, SHIELDED, LIGHT PIPE ORDERED SEPARATELY, TAPE & REEL PACKAGING -ROHS COMPLAINT		
	ENG. REL. NO.					
	REF.					
	DIMENSIONS ARE IN	CODE ID. NO.				
	INCHES [mm]	03554				
DWG	C	DRAWING NO.	P-RJSSE-5382-02T		REV.	
SCALE	N/A	WT.	-----	SURF.	-----	SHEET 1 OF 2

REVISIONS				
SYM	ZONE	ECN, ERN NO.	DATE	APPRD.
A		PROPOSAL	DEC 15, 2010	L.CHAN
B		CORRECT DIMENSION	JAN 20, 2016	L.CHAN



DESICCATING AGENTS AT LEAST



PACKAGING NOTES:

1. ONE REEL SHOULD HOLD 100 CONNECTORS.
2. 10 EMPTY CAVITIES FOR BOTH TOP AND BOTTOM OF THE CARRIER.
3. A FULLY LOADED CARTON SHOULD CONTAIN 5 REELS (500 PCS) OF CONNECTOR.
4. LIGHT PIPES WILL BE PACKED IN SEPARATE TRAYS

THIS DOCUMENT CONTAINS PROPRIETARY INFORMATION AND SUCH INFORMATION MAY NOT BE DISCLOSED TO OTHERS FOR ANY PURPOSE OR USED FOR MANUFACTURING PURPOSES WITHOUT WRITTEN PERMISSION FROM AMPHENOL CANADA CORP.

MATERIAL	DRAWN	MT	DATE	Amphenol Canada Corp.		
	DESIGNED	MT	DEC 15, 2010			
FINISH	CHECKED	L.C	DEC 15, 2010	TITLE 2 PORTS, SURFACE MOUNT, RJ45 MODULAR JACK, 8 POSITION, 8 CONTACTS, SHIELDED, LIGHT PIPE ORDERED SEPARATELY, TAPE & REEL PACKAGING DRAWING-ROHS COMPLIANT		
	I. E. APPRD.	Oyang	DEC 15, 2010			
	Q. A. APPRD.			DWG	DRAWING NO.	REV.
	DWG. APPRD.			C	P-RJSSE-5382-02T	B
	ENG. REL. NO.			SCALE	N/A	WT. _____
	REF.			SURF.	_____	SHEET 2 of 2
	DIMENSIONS ARE IN INCHES (mm)	CODE ID. NO.	03554			