

10 9 8 7 6 5 4 3 2 1

F

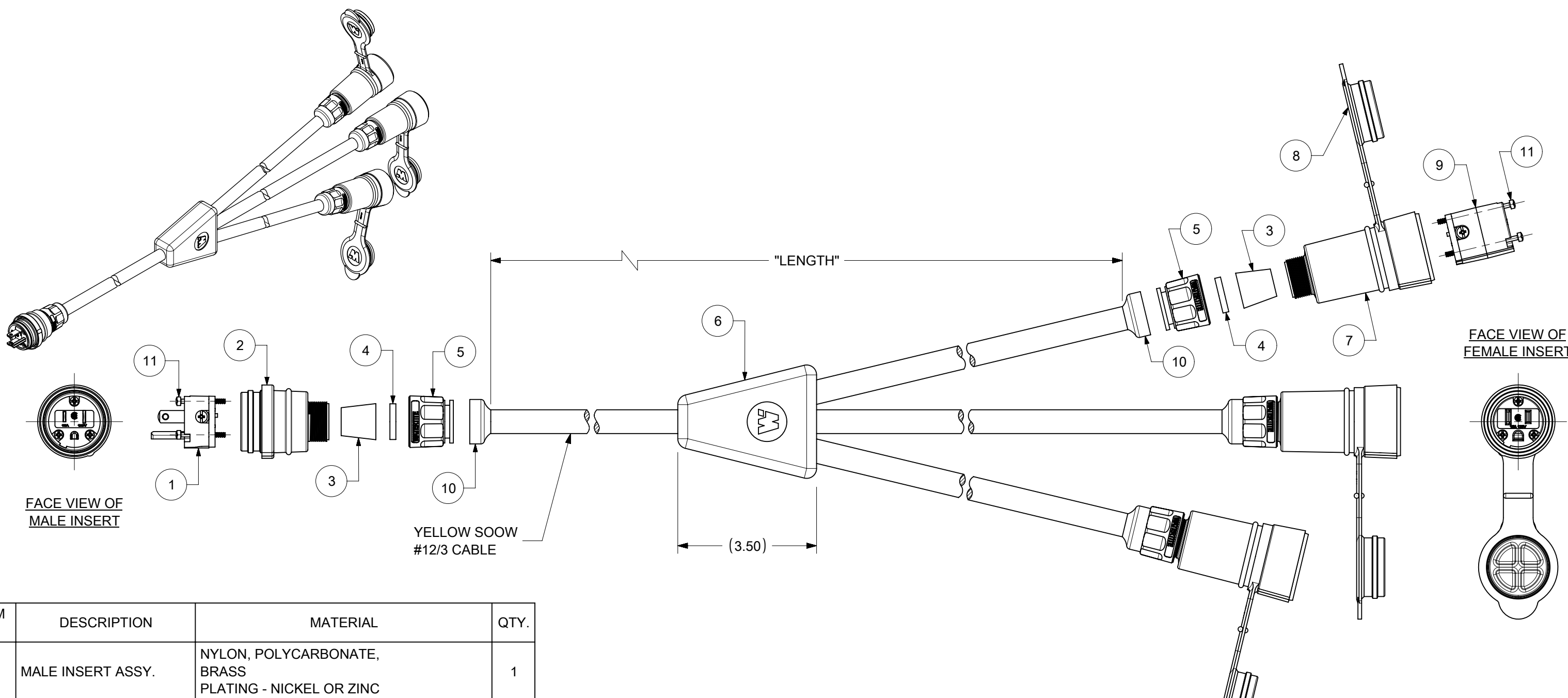
E

D

C

B

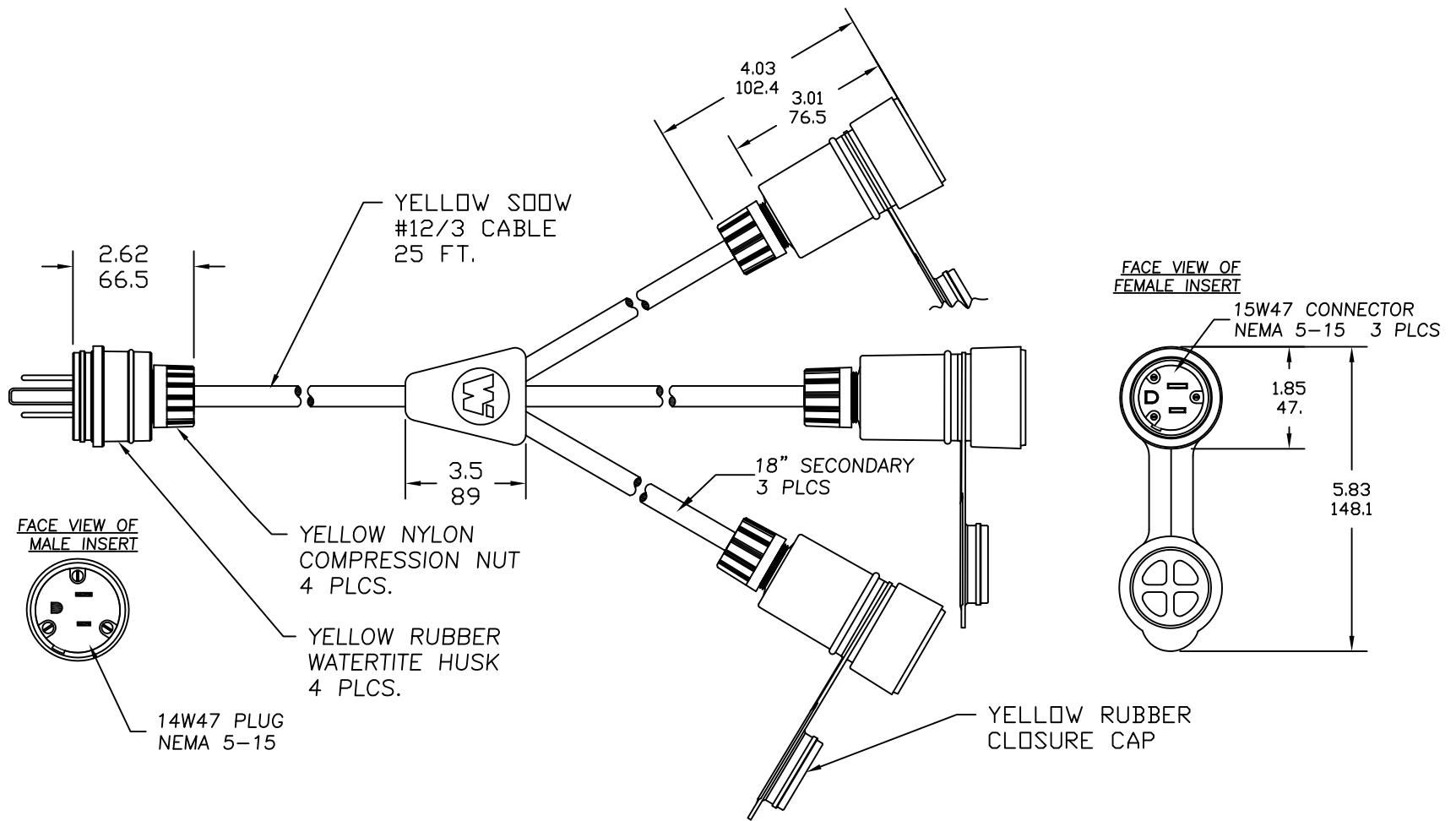
A



ITEM NO.	DESCRIPTION	MATERIAL	QTY.
1	MALE INSERT ASSY.	NYLON, POLYCARBONATE, BRASS PLATING - NICKEL OR ZINC	1
2	WATERTITE - MALE HUSK	SILICONE	1
3	GROMMET	RUBBER	4
4	FRICITION RING	NYLON	4
5	COMPRESSION NUT YELLOW	NYLON	4
6	MOLDED "W" - CORDSET	JACKET: RUBBER; CONDUCTOR: COPPER	1
7	WATERTITE - FEMALE HUSK	SILICONE	3
8	CLOSURE CAP YELLOW	SILICONE	3
9	FEMALE INSERT ASSY.	NYLON, POLYCARBONATE, BRASS PLATING - NICKEL OR ZINC	3
10	CABLE GLOVE	SILICONE	4
11	RETAINING SCREW	STAINLESS STEEL	12

MATERIAL NUMBER	ENGINEERING NUMBER	DESCRIPTION	LENGTH
1301540046	14W47-W	MOLDED W-SPLICE (1) 14W47 & (3) 15W47	3 FT.
1301540120	130154-0120	MOLDED W-SPLICE (1) 14W47 & (3) 15W47	27 FT.

SYMBOLS		THIS DRAWING CONTAINS INFORMATION THAT IS PROPRIETARY TO MOLEX ELECTRONIC TECHNOLOGIES, LLC AND SHOULD NOT BE USED WITHOUT WRITTEN PERMISSION	
▽ = 0	INCH	SCALE	NTS
▽ = 0	GENERAL TOLERANCES (UNLESS SPECIFIED)		
▽ = 0	ANGULAR TOL	±	°
▽ = 0	4 PLACES	±	
▽ = 0	3 PLACES	±	
▽ = 0	2 PLACES	±	
▽ = 0	1 PLACE	±	
▽ = 0	0 PLACES	±	
■ = 0	DRAFT WHERE APPLICABLE MUST REMAIN WITHIN DIMENSIONS		
▽ = 0	THIRD ANGLE PROJECTION	DRAWING	SERIES
CURRENT REV DESC: NEW RELEASE		EC NO: 621531	
		DRWN: PPURSUTANDEL 2019/07/08	
		CHK'D: PPURSUTANDEL 2019/12/04	
		APPR: HKNEELAND 2020/02/05	
		INITIAL REVISION:	
		DRWN: PPURSUTANDEL 2019/07/08	
		APPR: HKNEELAND 2020/02/05	
DOCUMENT NUMBER		DOC TYPE	DOC PART
1301540046		PSD	000
REVISION		A	
MATERIAL NUMBER	CUSTOMER	SHEET NUMBER	
SEE CHART	GENERAL MARKET	1 OF 1	



RELEASE DRAWING EC NO: WNA2010-0588 DRWN: TVICKERS 2010/03/09 CHKD: HKNEELA APPR: DTTITUS 2010/06/21	DESCRIPTION REV	QUALITY SYMBOLS ▽=0 ▽=0	GENERAL TOLERANCES (UNLESS SPECIFIED)		DIMENSION STYLE IN/MM		SCALE NTS	DESIGN UNITS INCH	THIRD ANGLE PROJECTION	
		4 PLACES ±--- ±--- 3 PLACES ±--- ±.005 2 PLACES ±0.13 ±.010 1 PLACE ±0.25 ±.020	mm INCH	DRAWN BY DATE TVICKERS 2010/03/09	TITLE MOLDED "W" SPLICE (1)14W47 & (3) 15W47 25' PRIMARY & 18" SECOND					
		ANGULAR ±.5°		CHECKED BY DATE H.KNEELA 2010/03/09	MOLEX INCORPORATED					
		DRAFT WHERE APPLICABLE MUST REMAIN WITHIN DIMENSIONS		APPROVED BY DATE DTTITUS 2010/06/14	MATERIAL NO. 1301540120	DOCUMENT NO. SD-130154-012	SHEET NO. 1 OF 1			
A			SIZE A		THIS DRAWING CONTAINS INFORMATION THAT IS PROPRIETARY TO MOLEX INCORPORATED AND SHOULD NOT BE USED WITHOUT WRITTEN PERMISSION					