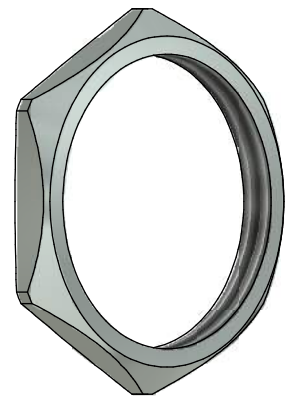
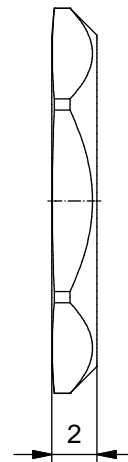
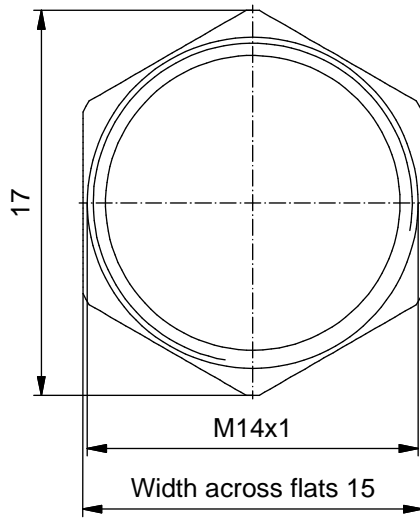


Materials:

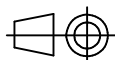
Material: CuZn

Plating: Nickel gal.



DO NOT ALTER CAD DRAWING BY HAND

Directive 2002/95/EC RoHS compliant



dim. in mm

title:

Hex nut M14x1

	date	name
drawn	24.01.13	Kniesburgers
appd.	24.01.13	Mankopf

dwg no:

43K1A1862

general tolerance: 0 ± 0,50mm
0,0 ± 0,25mm
0,00 ± 0,10mm

CONEC[®]

part no:

43-02132

THIS DRAWING MAY NOT BE COPIED OR REPRODUCED IN ANY WAY, AND MAY NOT BE PASSED ON TO A THIRD PARTY WITHOUT WRITTEN PERMISSION. OWNERSHIP AND COPYRIGHT OF CONEC GmbH