

3.2. Splice Crimp

A. Crimp Dimensions

- (1) Crimp width shall be as shown in Figure 3.
- (2) Consult AMP Engineering for specific crimp heights. Crimp heights specified by AMP Engineering shall be measured at the location shown in Figure 2, with a tolerance of $\pm .002$ unless otherwise specified.

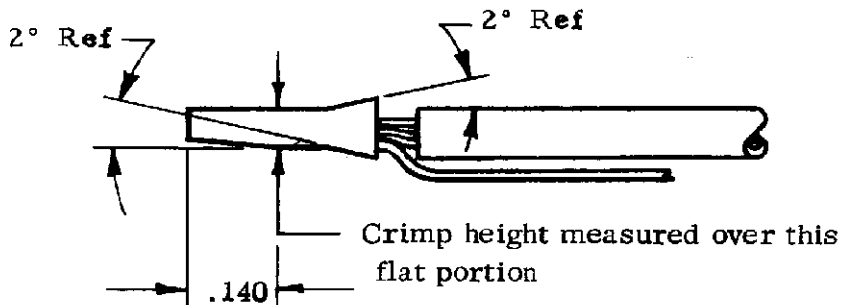


Figure 2

B. Tensile Strength

Crimp tensile strength shall be 70% of the wire tensile strength.

C. Splice Seam

Splice seam shall be completely closed and there shall be no evidence of loose wire strands or wire strands visible in the seam.

D. Bellmouth

Rear bellmouth permissible.

E. Conductor Location

- (1) Wires shall extend thru the splice before crimping.
- (2) Wire shall be cut off clean at the front end of the splice after crimping.
- (3) Conductors shall be visible between the lead wire insulation and the rear of the splice.
- (4) Magnet wire(s) shall lie in the bottom of the splice.

Part Number	Wire CMA	Lead Wire Strip Length	Splice Crimp	
			Width	Type
60656	300-1850	.250 \pm .031	.070	F
62044	480-1700		.070	F

Figure 3

AMP INCORPORATED Harrisburg, Pa.		SHEET <u>2</u> OF <u>2</u>	
LOC B	NO A	114-2004	REV A
NAME SPLICE, PIGTAIL, MINIATURE, AMPLIVAR, APPLICATION OF			