

4

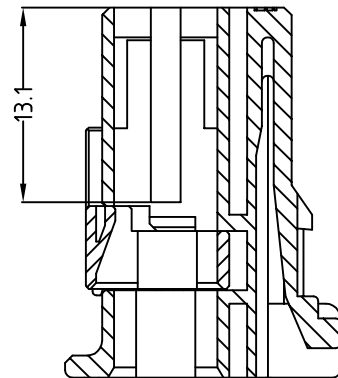
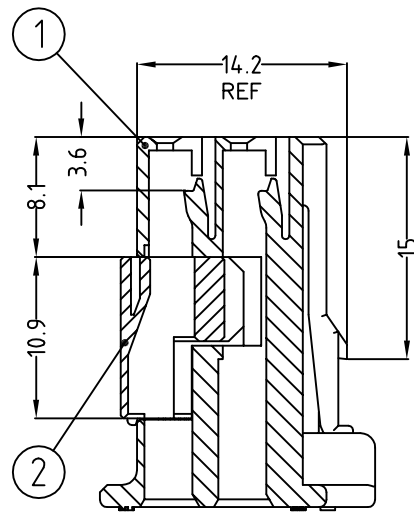
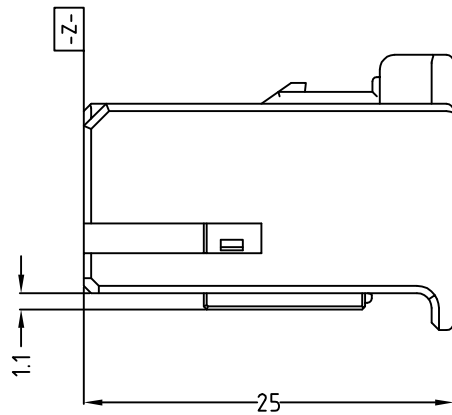
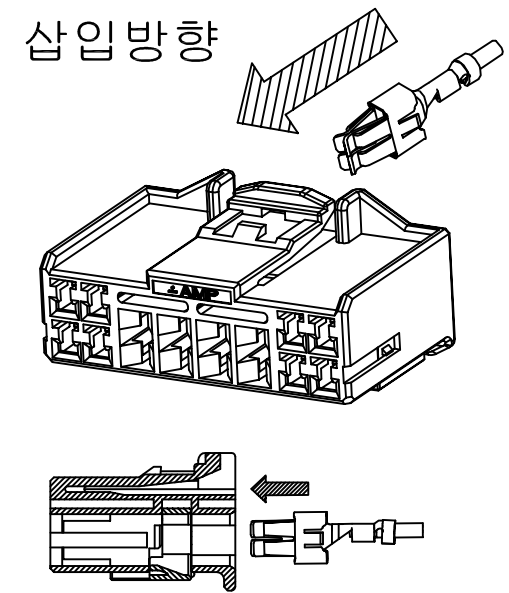
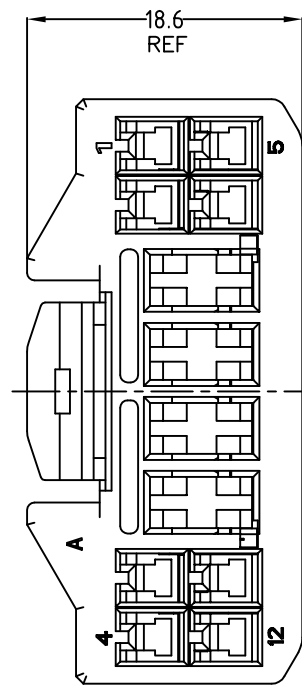
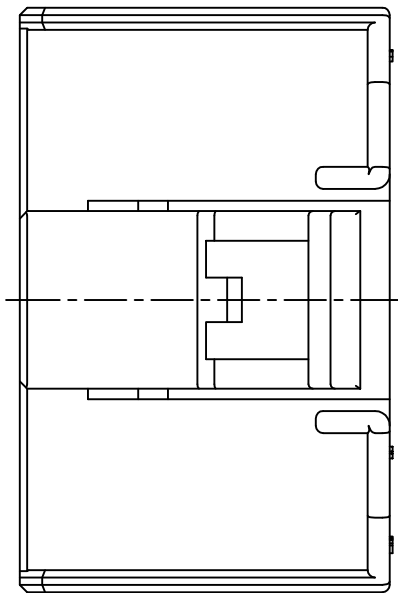
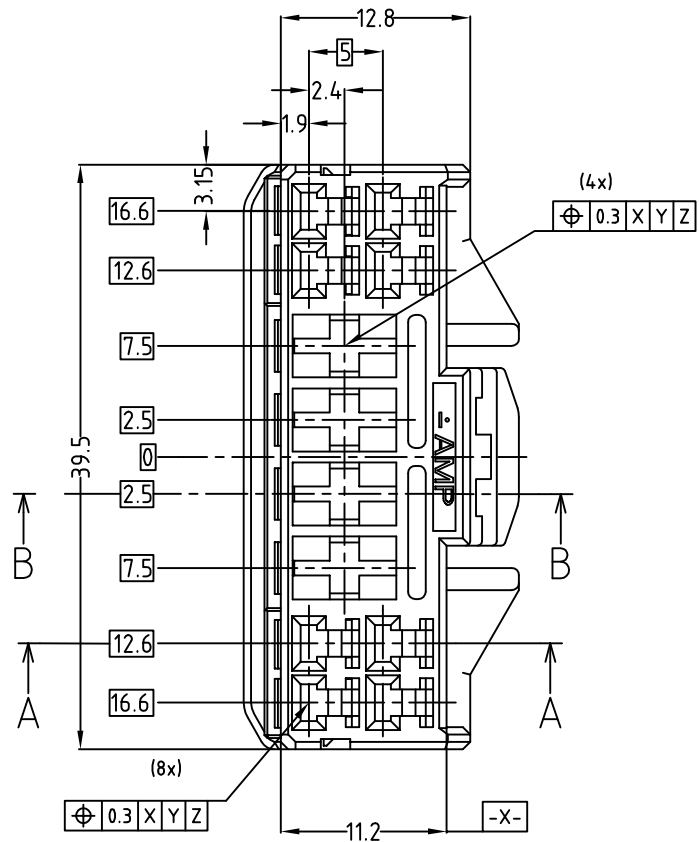
3

2

1

THIS DRAWING IS UNPUBLISHED. RELEASED FOR PUBLICATION  
COPYRIGHT BY TYCO ELECTRONICS CORPORATION, ALL RIGHTS RESERVED.

LOC	DIST	REVISIONS					
		P	LTR	DESCRIPTION	DATE	DWN	APVD
DS	-		A2	REVISED (ECR-06-024059)	25.JAN.'07	CM	JK
			A3	REVISED (ECR-09-019350)	31.AUG.'09	KT	HG
			A4	REVISED (ECR-12-019821)	15.NOV.'12	JM	HG



A-A

B-B

NOTE

- APPLIED CONTACT P/N;  
090 II- 368083, 368084, 368085  
090 III- 1743654, 1743655, 1743656  
S.P.T.-927840-2,927831-2,927827-2,927829-2,964203-1,964204-1
  - APPLICABLE PRODUCT SPEC NO. ; 108-61046
- 주기-
- 적용단자 P/N. ; 090 II - 368083, 368084, 368085  
090 III - 1743654, 1743655, 1743656  
S.P.T. - 927840-2, 927831-2, 927827-2, 927829-2, 964203-1, 964204-1
  - 적용제품 규격서 ; 108-61046

ASSY P/N	DESCRIPTION
936372-4	090/250 HYB 12P PLUG ASSY
936372-1	090/250 HYB 12P PLUG ASSY

NO.	COLOR	MATERIAL	DESCRIPTION	QTY
2	NATURAL	PBT	DBL HSG	1
1	BROWN	PBT	PLUG HSG	1
	NATURAL	PBT	PLUG HSG	1

DIMENSIONS: MM		TOLERANCES UNLESS OTHERWISE SPECIFIED:	
		0 <XX<10 ± 0.2 10<XX<30 ± 0.25 30<XX ± 0.3 ANGLES ± 3°	
MATERIAL		FINISH	
SEE TABLE			

THIS DRAWING IS A CONTROLLED DOCUMENT FOR TYCO ELECTRONICS CORPORATION IT IS SUBJECT TO CHANGE AND THE CONTROLLING ENGINEERING ORGANIZATION SHOULD BE CONTACTED FOR THE LATEST REVISION.

DWN JM JEON  
CHK JW JUNG  
APVD HG CHO  
PRODUCT SPEC -  
APPLICATION SPEC -  
WEIGHT -

NAME .090/.250 HYBRID 12P PLUG ASSEMBLY

SIZE A3 CAGE CODE 00779 DRAWING NO C-936372 RESTRICTED TO -

CUSTOMER DRAWING SCALE 2/1 SHEET 1 OF 1 REV A4