



Circuit breaker size S00 for motor protection, CLASS 10 with overload relay function A-release 0.22...0.32 A N-release 4.2 A screw terminal Standard switching capacity

product brand name	SIRIUS
product designation	Circuit breaker
design of the product	For motor protection with overload relay function
product type designation	3RV2
General technical data	
size of the circuit-breaker	S00
size of contactor can be combined company-specific	S00, S0
product extension auxiliary switch	Yes
power loss [W] for rated value of the current	
• at AC in hot operating state	5.5 W
• at AC in hot operating state per pole	1.8 W
insulation voltage with degree of pollution 3 at AC rated value	690 V
surge voltage resistance rated value	6 kV
shock resistance according to IEC 60068-2-27	25g / 11 ms
mechanical service life (switching cycles)	
• of the main contacts typical	100 000
• of auxiliary contacts typical	100 000
electrical endurance (switching cycles) typical	100 000
reference code according to IEC 81346-2	Q
Substance Prohibitive (Date)	10/01/2009
Ambient conditions	
installation altitude at height above sea level maximum	2 000 m
ambient temperature	
• during operation	-20 ... +60 °C
• during storage	-50 ... +80 °C
• during transport	-50 ... +80 °C
relative humidity during operation	10 ... 95 %
Main circuit	
number of poles for main current circuit	3
adjustable current response value current of the current-dependent overload release	0.22 ... 0.32 A
operating voltage	
• rated value	20 ... 690 V
• at AC-3 rated value maximum	690 V
• at AC-3e rated value maximum	690 V
operating frequency rated value	50 ... 60 Hz
operational current rated value	0.32 A
operational current	
• at AC-3 at 400 V rated value	0.32 A

<ul style="list-style-type: none"> • at AC-3e at 400 V rated value 	0.32 A
operating power	
<ul style="list-style-type: none"> • at AC-3 <ul style="list-style-type: none"> — at 230 V rated value — at 400 V rated value — at 500 V rated value — at 690 V rated value • at AC-3e <ul style="list-style-type: none"> — at 230 V rated value — at 400 V rated value — at 500 V rated value — at 690 V rated value 	0 kW 0.09 kW 0.1 kW 0.1 kW 0 kW 0.09 kW 0.1 kW 0.1 kW
operating frequency	
<ul style="list-style-type: none"> • at AC-3 maximum • at AC-3e maximum 	15 1/h 15 1/h
Auxiliary circuit	
design of the auxiliary switch	laterally
number of NC contacts for auxiliary contacts	0
number of NO contacts for auxiliary contacts	0
number of CO contacts for auxiliary contacts	0
operational current of auxiliary contacts at AC-15	
<ul style="list-style-type: none"> • at 24 V • at 230 V 	1.5 A 1.5 A
operational current of auxiliary contacts at DC-13	
<ul style="list-style-type: none"> • at 24 V 	1 A
Protective and monitoring functions	
product function	
<ul style="list-style-type: none"> • ground fault detection • phase failure detection 	No Yes
trip class	CLASS 10
design of the overload release	thermal
breaking capacity maximum short-circuit current (I_{cu})	
<ul style="list-style-type: none"> • at AC at 240 V rated value • at AC at 400 V rated value • at AC at 500 V rated value • at AC at 690 V rated value 	100 kA 100 kA 100 kA 100 kA
breaking capacity operating short-circuit current (I_{cs}) at AC	
<ul style="list-style-type: none"> • at 240 V rated value • at 400 V rated value • at 500 V rated value • at 690 V rated value 	100 kA 100 kA 100 kA 100 kA
response value current of instantaneous short-circuit trip unit	4.2 A
UL/CSA ratings	
full-load current (FLA) for 3-phase AC motor	
<ul style="list-style-type: none"> • at 480 V rated value • at 600 V rated value 	0.32 A 0.32 A
contact rating of auxiliary contacts according to UL	C600 / R300
Short-circuit protection	
product function short circuit protection	Yes
design of the short-circuit trip	magnetic
design of the fuse link	
<ul style="list-style-type: none"> • for short-circuit protection of the auxiliary switch required 	fuse gL/gG: 6 A, quick: 10 A
Installation/ mounting/ dimensions	
mounting position	any
fastening method	screw and snap-on mounting onto 35 mm standard mounting rail according to DIN EN 60715
height	97 mm

width	65 mm
depth	97 mm
required spacing	
<ul style="list-style-type: none"> ● for grounded parts at 400 V <ul style="list-style-type: none"> — downwards 30 mm — upwards 30 mm — at the side 9 mm ● for live parts at 400 V <ul style="list-style-type: none"> — downwards 30 mm — upwards 30 mm — at the side 9 mm ● for grounded parts at 500 V <ul style="list-style-type: none"> — downwards 30 mm — upwards 30 mm — at the side 9 mm ● for live parts at 500 V <ul style="list-style-type: none"> — downwards 30 mm — upwards 30 mm — at the side 9 mm ● for grounded parts at 690 V <ul style="list-style-type: none"> — downwards 50 mm — upwards 50 mm — backwards 0 mm — at the side 30 mm — forwards 0 mm ● for live parts at 690 V <ul style="list-style-type: none"> — downwards 50 mm — upwards 50 mm — backwards 0 mm — at the side 30 mm — forwards 0 mm 	

Connections/ Terminals

type of electrical connection	
<ul style="list-style-type: none"> ● for main current circuit screw-type terminals ● for auxiliary and control circuit screw-type terminals 	
arrangement of electrical connectors for main current circuit	Top and bottom
type of connectable conductor cross-sections	
<ul style="list-style-type: none"> ● for main contacts <ul style="list-style-type: none"> — solid or stranded 2x (0,75 ... 2,5 mm²), 2x 4 mm² — finely stranded with core end processing 2x (0.5 ... 1.5 mm²), 2x (0.75 ... 2.5 mm²) ● at AWG cables for main contacts 2x (18 ... 14), 2x 12 	
type of connectable conductor cross-sections	
<ul style="list-style-type: none"> ● for auxiliary contacts <ul style="list-style-type: none"> — solid or stranded 2x (0.5 ... 1.5 mm²), 2x (0.75 ... 2.5 mm²) — finely stranded with core end processing 2x (0.5 ... 1.5 mm²), 2x (0.75 ... 2.5 mm²) ● at AWG cables for auxiliary contacts 2x (20 ... 16), 2x (18 ... 14) 	
tightening torque	
<ul style="list-style-type: none"> ● for main contacts with screw-type terminals 0.8 ... 1.2 N·m ● for auxiliary contacts with screw-type terminals 0.8 ... 1.2 N·m 	
design of screwdriver shaft	Diameter 5 to 6 mm
size of the screwdriver tip	Pozidriv size 2
design of the thread of the connection screw	
<ul style="list-style-type: none"> ● for main contacts M3 ● of the auxiliary and control contacts M3 	

Safety related data

B10 value	
<ul style="list-style-type: none"> ● with high demand rate according to SN 31920 5 000 	
proportion of dangerous failures	
<ul style="list-style-type: none"> ● with low demand rate according to SN 31920 50 % 	

• with high demand rate according to SN 31920	50 %
failure rate [FIT]	
• with low demand rate according to SN 31920	50 FIT
T1 value for proof test interval or service life according to IEC 61508	10 y
protection class IP on the front according to IEC 60529	IP20
touch protection on the front according to IEC 60529	finger-safe, for vertical contact from the front
display version for switching status	Handle

Certificates/ approvals

General Product Approval



[Confirmation](#)



[KC](#)



Declaration of Conformity Test Certificates Marine / Shipping



EG-Konf.

[Type Test Certificates/Test Report](#)

[Special Test Certificate](#)



ABS



BUREAU VERITAS

Marine / Shipping other



DNV



LRS



PRS



RINA



RMRS

[Confirmation](#)

other Railway



VDE

[Confirmation](#)

[Vibration and Shock](#)

Further information

Information- and Downloadcenter (Catalogs, Brochures,...)

<https://www.siemens.com/ic10>

Industry Mall (Online ordering system)

<https://mall.industry.siemens.com/mall/en/en/Catalog/product?mlfb=3RV2111-0DA10>

Cax online generator

<http://support.automation.siemens.com/WW/CAXorder/default.aspx?lang=en&mlfb=3RV2111-0DA10>

Service&Support (Manuals, Certificates, Characteristics, FAQs,...)

<https://support.industry.siemens.com/cs/ww/en/ps/3RV2111-0DA10>

Image database (product images, 2D dimension drawings, 3D models, device circuit diagrams, EPLAN macros, ...)

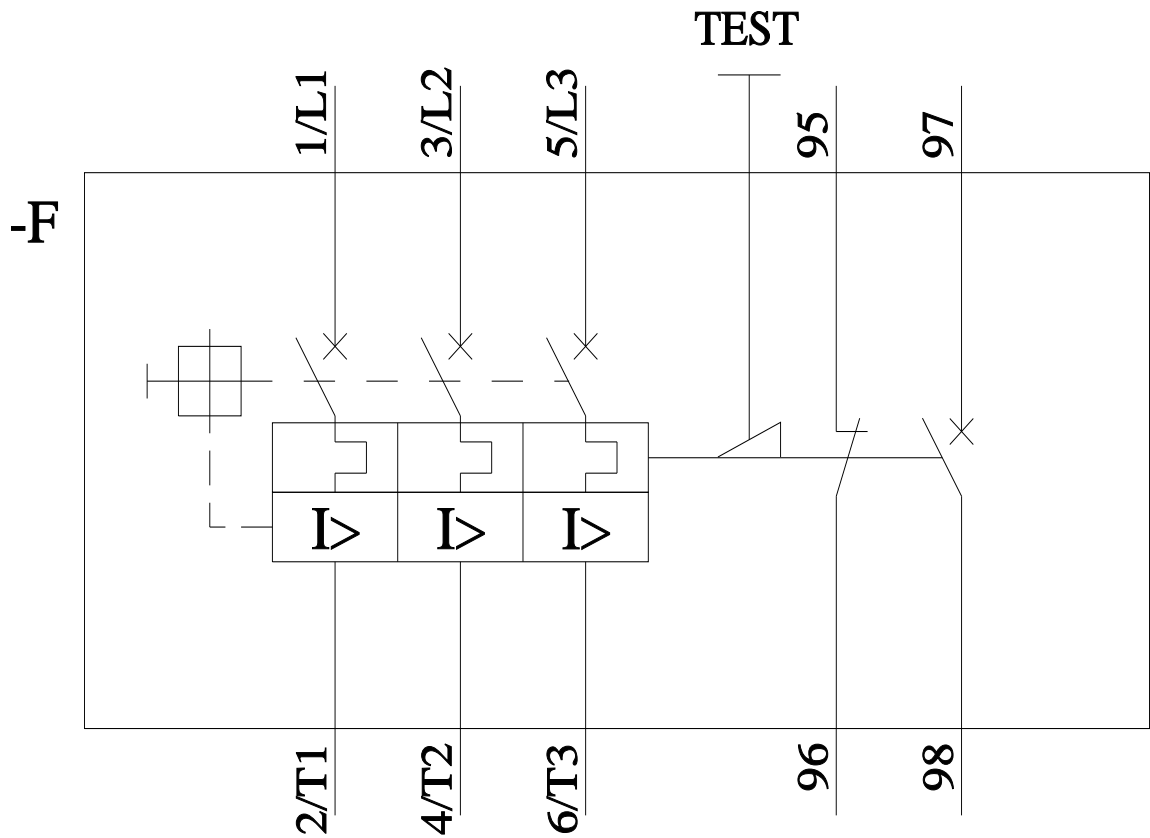
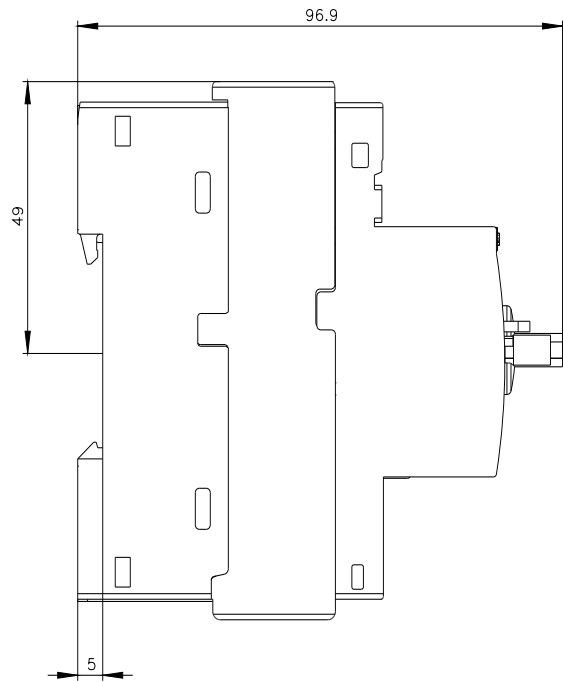
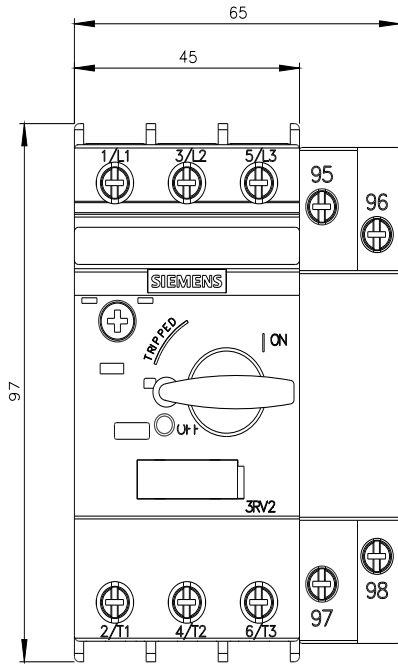
http://www.automation.siemens.com/bilddb/cax_de.aspx?mlfb=3RV2111-0DA10&lang=en

Characteristic: Tripping characteristics, I^t, Let-through current

<https://support.industry.siemens.com/cs/ww/en/ps/3RV2111-0DA10/char>

Further characteristics (e.g. electrical endurance, switching frequency)

<http://www.automation.siemens.com/bilddb/index.aspx?view=Search&mlfb=3RV2111-0DA10&objecttype=14&gridview=view1>



last modified:

6/25/2022